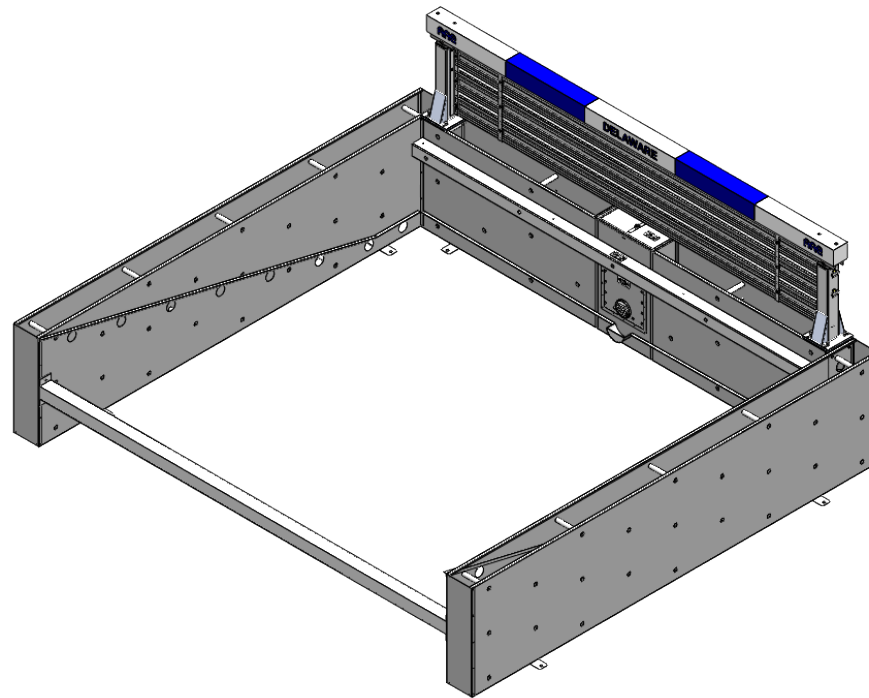
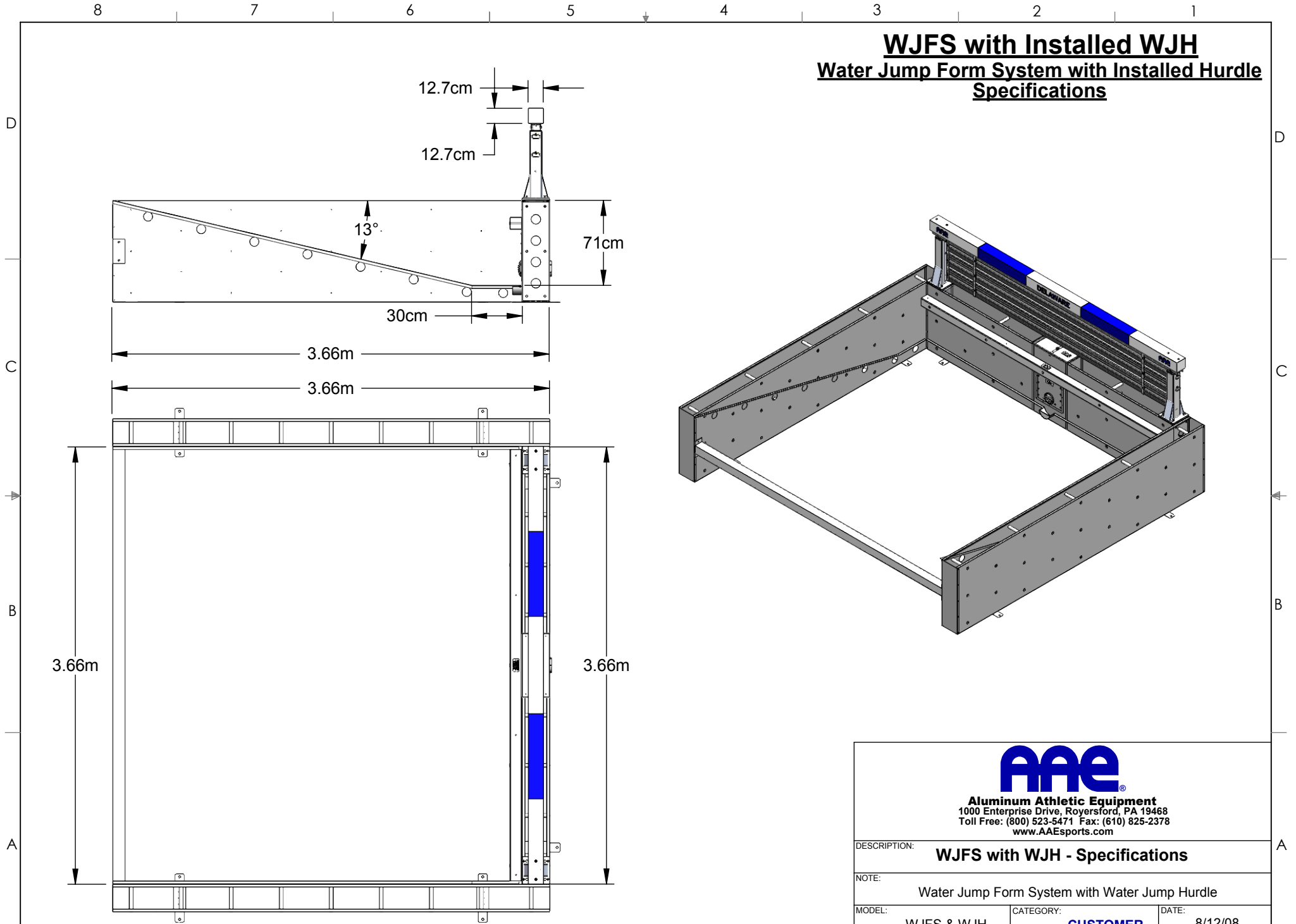


# AAE Model No. WJFS Water Jump Form System



**Aluminum Athletic Equipment**  
1000 Enterprise Drive, Royersford, PA 19468  
Toll Free: (800) 523-5471 Fax: (610) 825-2378  
[www.AAEsports.com](http://www.AAEsports.com)



**WJFS with Installed WJH**  
**Water Jump Form System with Installed Hurdle**  
**Specifications**

**MEETS ALL NCAA SPECIFICATIONS**

Copyright © 2004 Aluminum Athletic Equipment Co.

 <b>Aluminum Athletic Equipment</b> 1000 Enterprise Drive, Royersford, PA 19468 Toll Free: (800) 523-5471 Fax: (610) 825-2378 <a href="http://www.AAEsports.com">www.AAEsports.com</a>		
DESCRIPTION: <b>WJFS with WJH - Specifications</b>		
NOTE: Water Jump Form System with Water Jump Hurdle		
MODEL: WJFS & WJH	CATEGORY: <b>CUSTOMER</b>	DATE: 8/12/08
DWN. BY: ARP	CAD FILE: WJFS with WJH- Specifications	DWG. NO. Model-WJFS_WJH-C-001

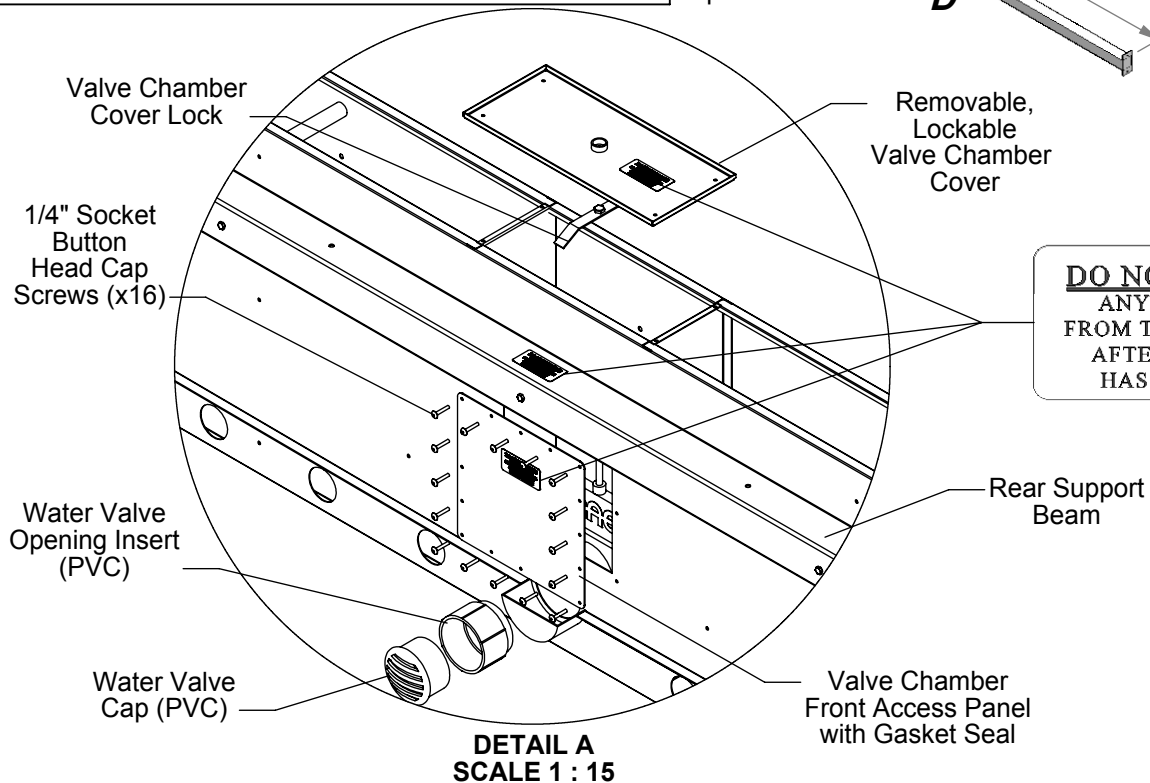
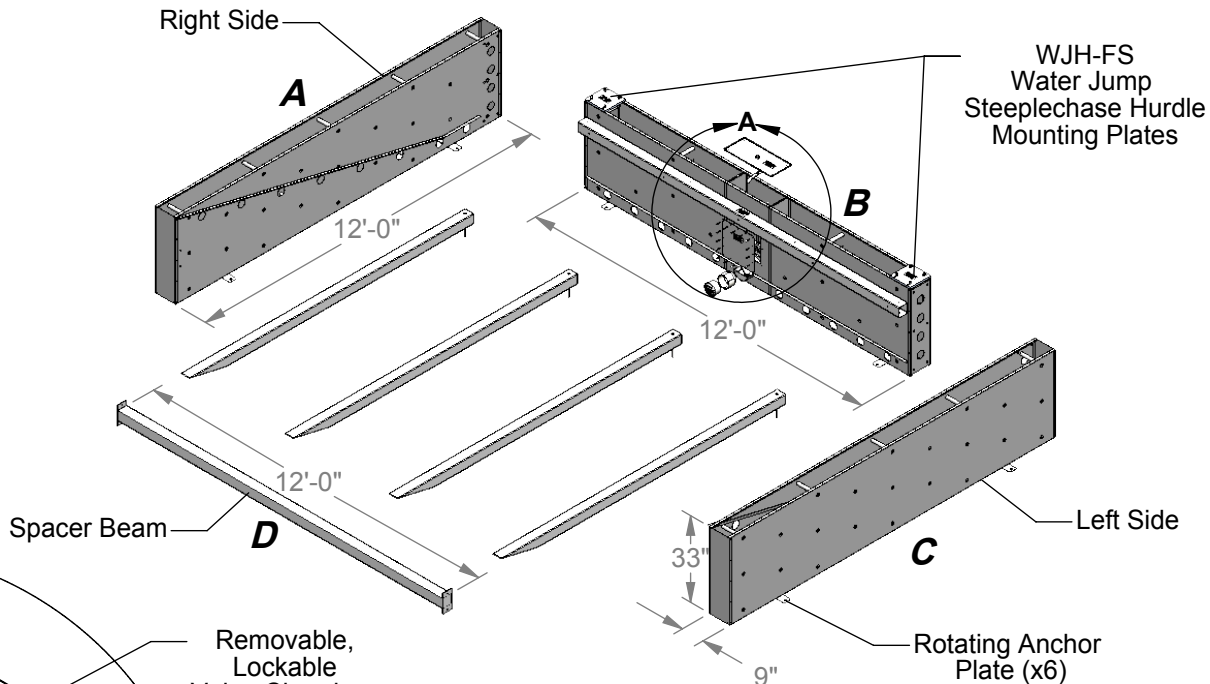
## WJFS - Specifications

- Four (4) pre-assembled components consist of :  
Two (2) sides (right A, left C), One (1) back panel (B), & One (1) spacer beam D
- Component Sections A, B, & C :  
14 gauge 304 stainless steel
- Spacer beam: 4" sq., .125 wall extrusion with 8" x 4" attachment flanges on both ends
- Rear Support Beam: 4" sq., .125 wall extrusion
- Tapered Support Beams: 4" sq., .125 wall extrusion
- Total Assembled Weight = 925lbs.

## WJFS - Features

- Anchor plates rotate from shipping position (stored under panel) to anchor position (perpendicular to panel)
- Concrete screed angle borders inside pit
- Concrete-Flo™ design system
- Sub-surface drainage unit
- Valve chamber cover is removable, allowing access to the drainage valve to easily open or close the valve to empty the water pit. Cover locks securely to WJFS
- Front valve chamber can be removed to service and clean valve

## WJFS - Water Jump Form System Specifications & Features



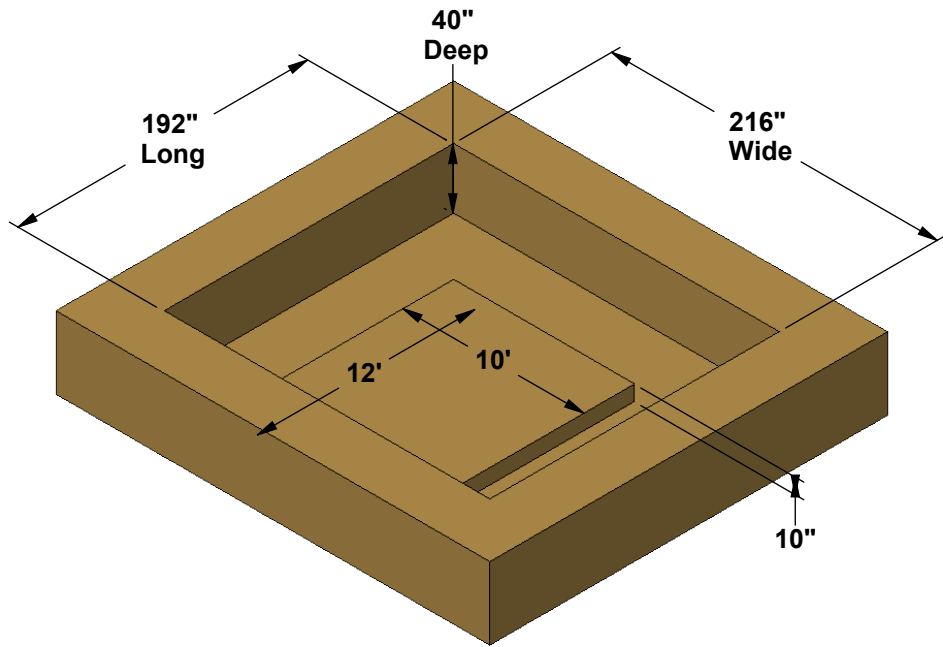
\* MEETS ALL NCAA SPECIFICATIONS \*



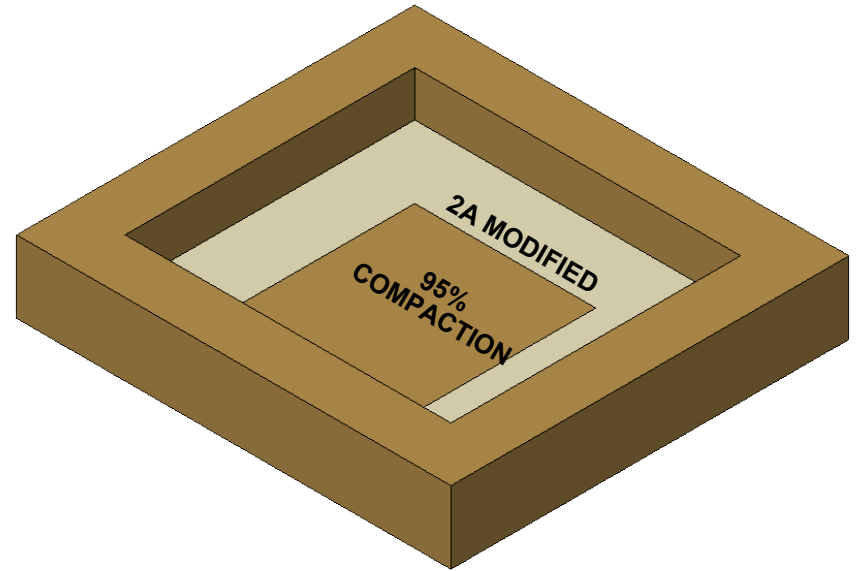
**Aluminum Athletic Equipment**  
1000 Enterprise Drive, Royersford, PA 19468  
Toll Free: (800) 523-5471 Fax: (610) 825-2378  
www.AAEsports.com

DESCRIPTION:			<b>WJFS - Specifications</b>		
NOTE:			Stainless Steel Water Jump Form System		
MODEL:	WJFS	CATEGORY:	CUSTOMER	DATE:	8/5/08
DWN. BY:	ARP	CAD FILE:	WJFS - Specifications	DWG. NO.:	WJFS-C-002

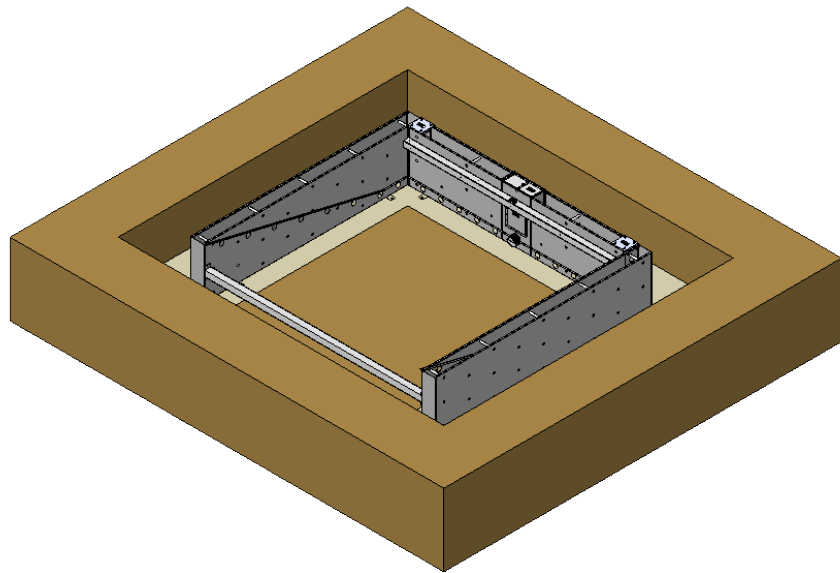
# WJFS - Installation Steps No. 1 to 3




**STEP NO. 1 - EXCAVATED AREA**



**STEP NO. 2 - COMPACTING CRUSHED STONE**

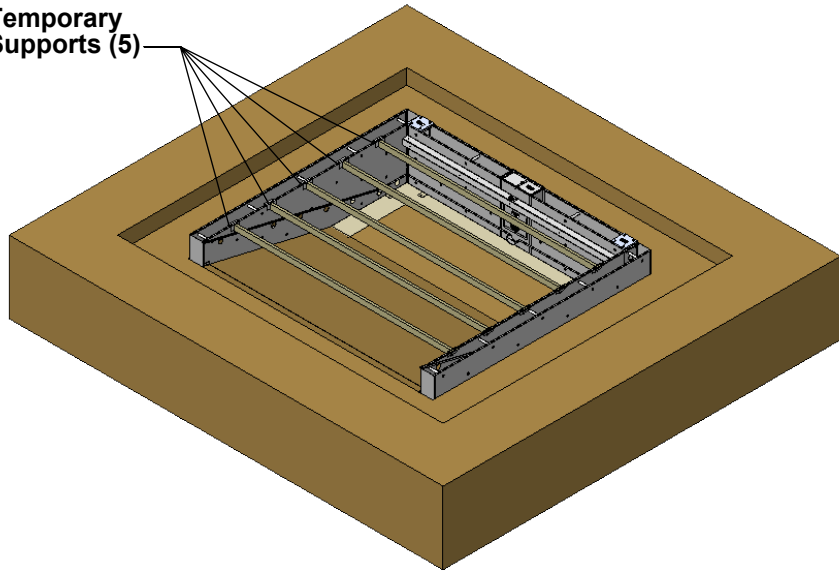


**STEP NO. 3 - WATER JUMP FORM ASSEMBLY**

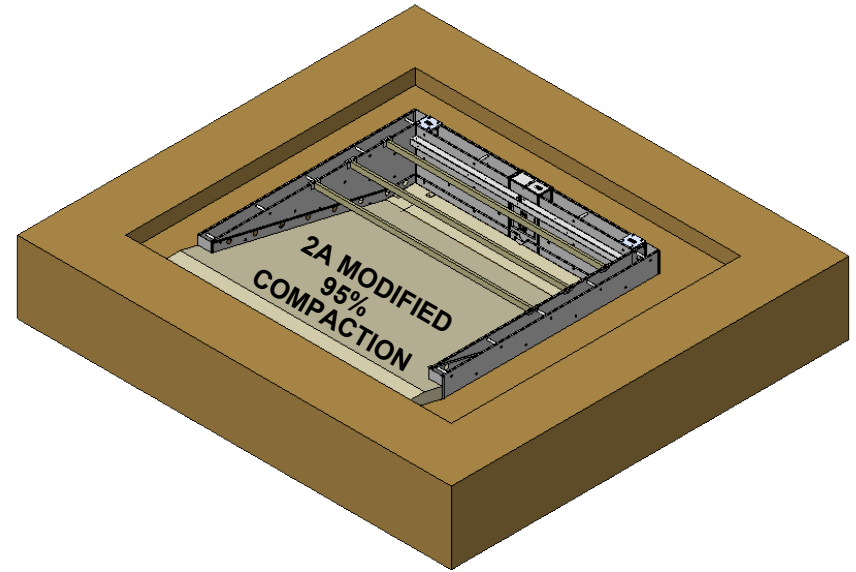
 <b>Aluminum Athletic Equipment</b> 1000 Enterprise Drive, Royersford, PA 19468 Toll Free: (800) 523-5471 Fax: (610) 825-2378 www.AAEsports.com		
DESCRIPTION:		
<b>WJFS - Installation Steps No. 1 to 3</b>		
NOTE:		
MODEL:	CATEGORY:	DATE:
WJFS	<b>CUSTOMER</b>	5/22/08
DWN. BY:	CAD FILE:	DWG. NO.:
TAD	WJFS - Steps 1 to 3	WJFS-C-001

# WJFS - Installation Steps No. 4 to 6A

Temporary Supports (5)

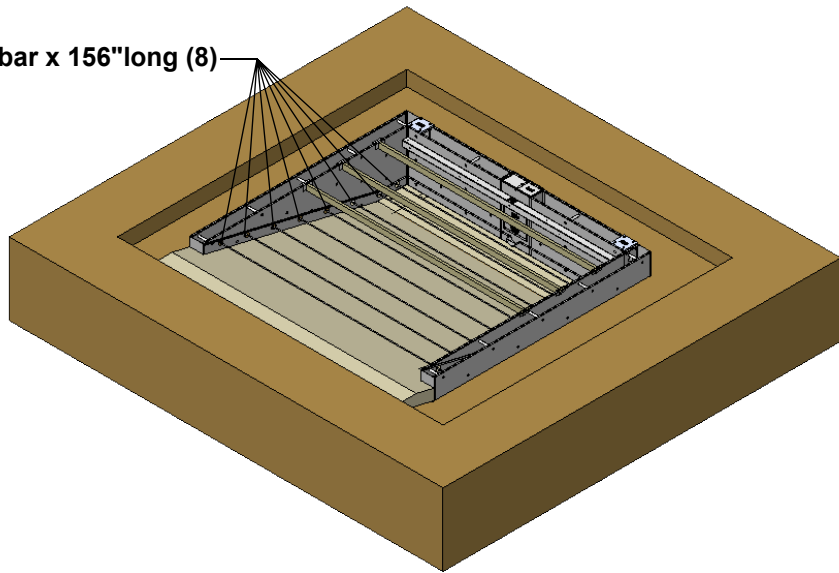


**STEP NO. 4 -  
TEMPORARY SUPPORTS & BACK FILL**



**STEP NO. 5 -  
2A MODIFIED & COMPACTED**

#5 Rebar x 156"long (8)



**STEP NO. 6A -  
ADDING REBAR #5**

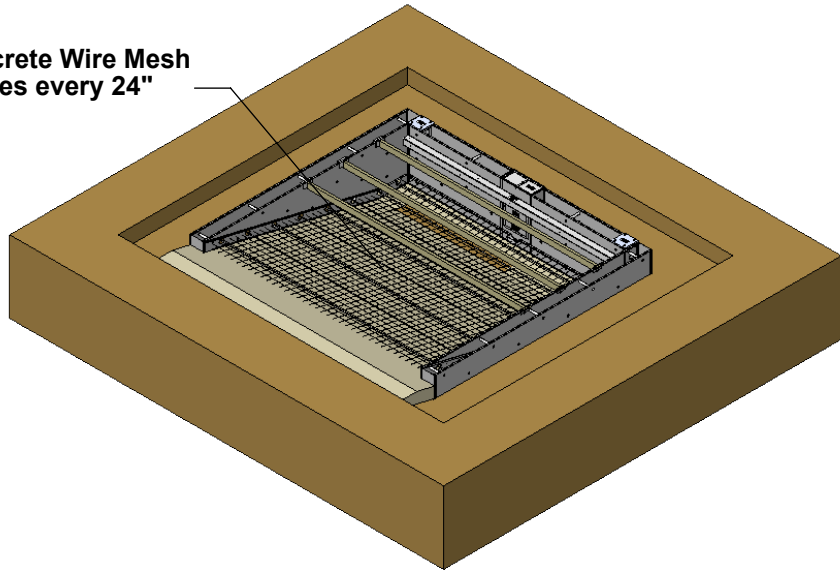


**Aluminum Athletic Equipment**  
1000 Enterprise Drive, Royersford, PA 19468  
Toll Free: (800) 523-5471 Fax: (610) 825-2378  
www.AAEsports.com

DESCRIPTION:		
<b>WJFS - Installation Steps No. 4 to 6A</b>		
NOTE:		
MODEL:	CATEGORY:	DATE:
WJFS	<b>CUSTOMER</b>	5/22/08
DWN. BY:	CAD FILE:	DWG. NO.:
TAD	WJFS - Steps 4-6A	WJFS-C-002

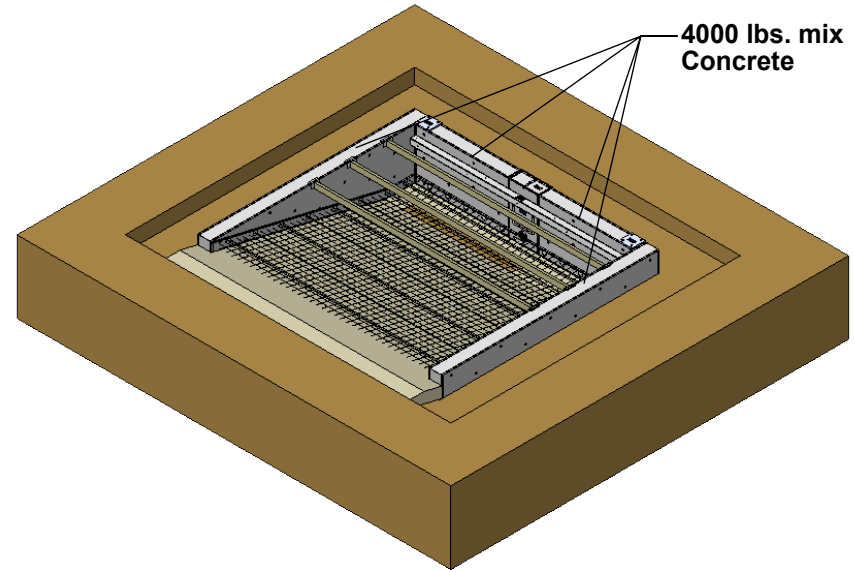
# WJFS - Installation Steps No. 6B to 7B

Concrete Wire Mesh  
#3 Ties every 24"



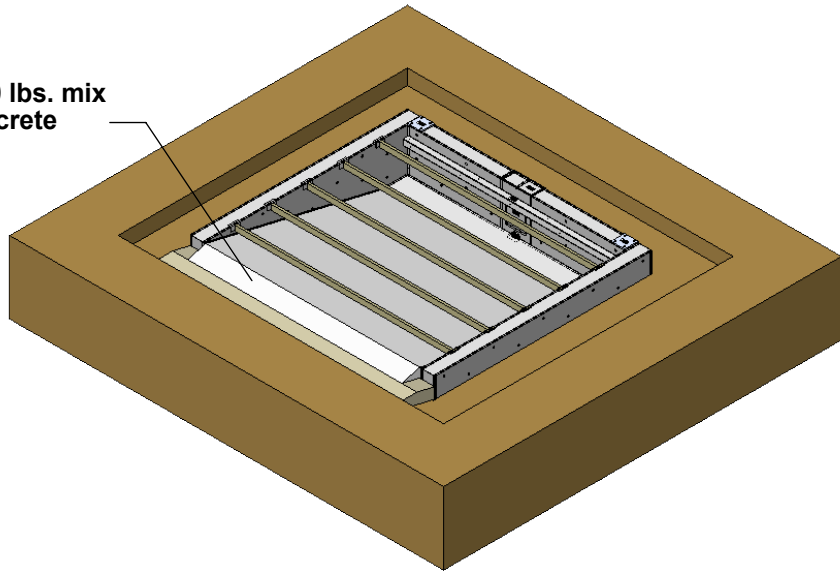
**STEP NO. 6B -  
CONCRETE WIRE MESH & #3 TIES**

4000 lbs. mix  
Concrete



**STEP NO. 7A -  
EVEN CONCRETE POUR IN FORM WALLS**

4000 lbs. mix  
Concrete



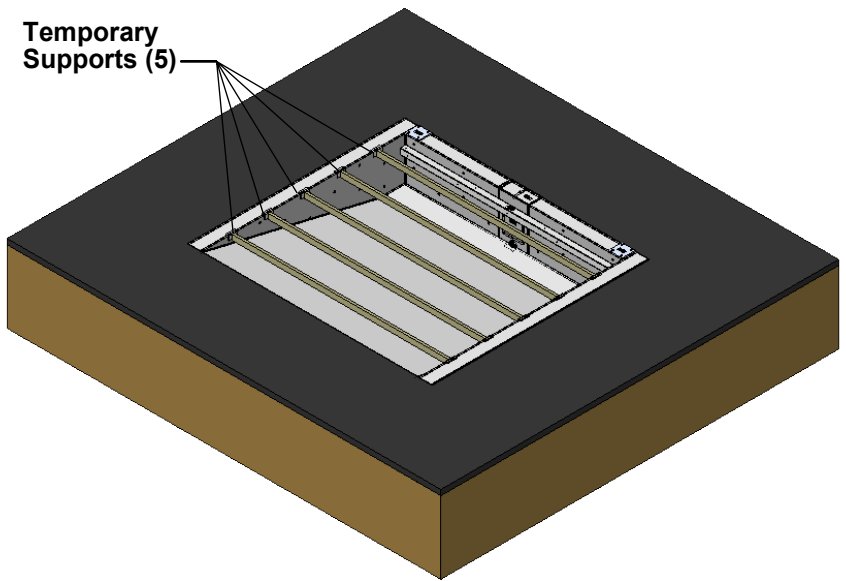
**STEP NO. 7B -  
CONCRETE POUR SLOPE USING SCREED ANGLES**



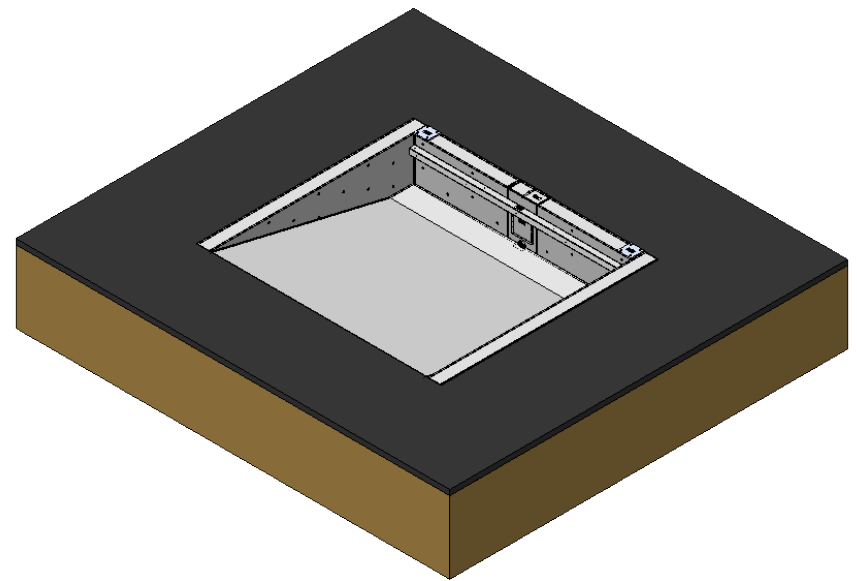
**Aluminum Athletic Equipment**  
1000 Enterprise Drive, Royersford, PA 19468  
Toll Free: (800) 523-5471 Fax: (610) 825-2378  
[www.AAEsports.com](http://www.AAEsports.com)

DESCRIPTION:		
<b>WJFS - Installation Steps No. 6B to 7B</b>		
NOTE:		
MODEL:	CATEGORY:	DATE:
WJFS	<b>CUSTOMER</b>	5/22/08
DWN. BY:	CAD FILE:	DWG. NO.:
TAD	WJFS - Steps 6B to 7B	Model-C-003

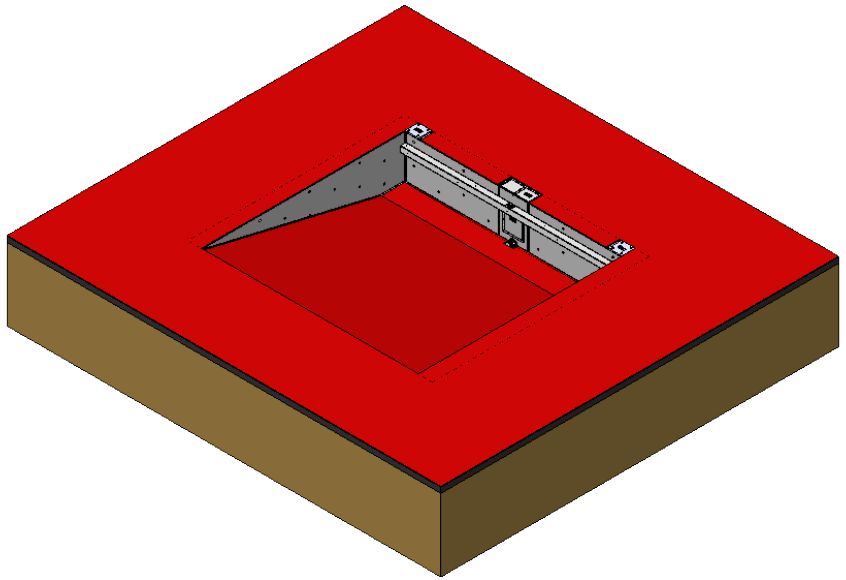
# WJFS - Installation Steps No. 8 to 10



**STEP NO. 8 -**  
**2nd BACK FILL & ASPHALT PAVING**



**STEP NO. 9 -**  
**REMOVAL OF TEMPORARY SUPPORT BEAMS**



**STEP NO. 10 -**  
**APPLICATION OF 1/2" TRACK SURFACE INSIDE & ON TOP OF FORM**



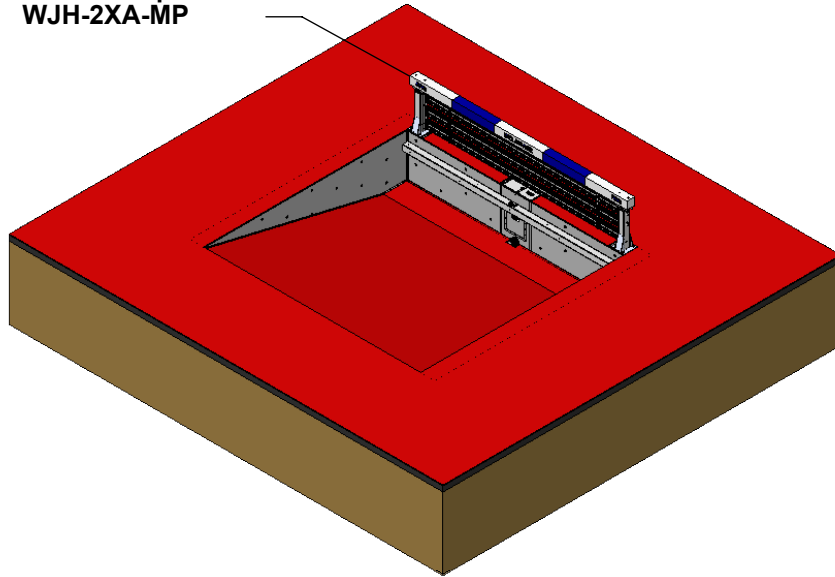
**Aluminum Athletic Equipment**  
1000 Enterprise Drive, Royersford, PA 19468  
Toll Free: (800) 523-5471 Fax: (610) 825-2378  
www.AAEsports.com

DESCRIPTION:		
<b>WJFS - Installation Steps No. 8 to 10</b>		
NOTE:		
MODEL:	CATEGORY:	DATE:
WJFS	<b>CUSTOMER</b>	5/22/08
DWN. BY:	CAD FILE:	DWG. NO.:
TAD	WJFS - Steps 8 to 10	WJFS-C-004



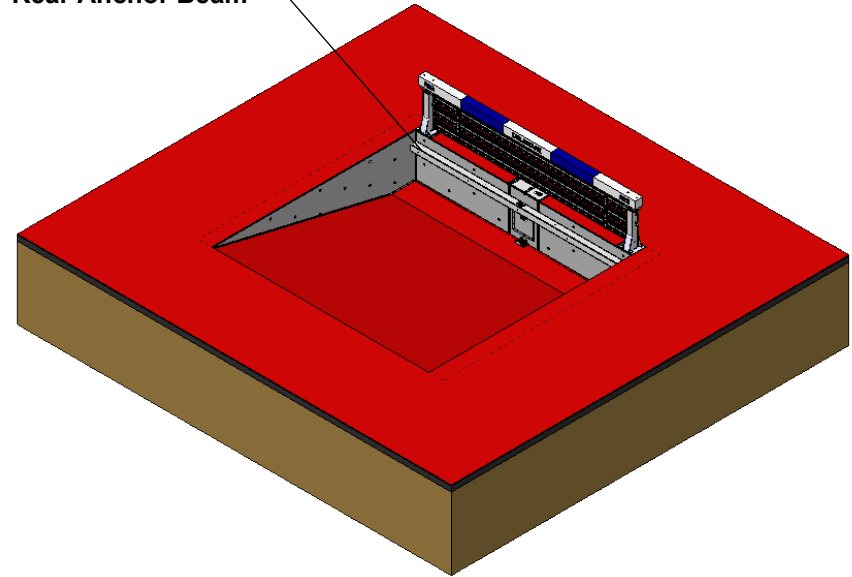
# WJFS - Installation Steps No. 11 to 13

Water Jump Hurdle  
WJH-2XA-MP



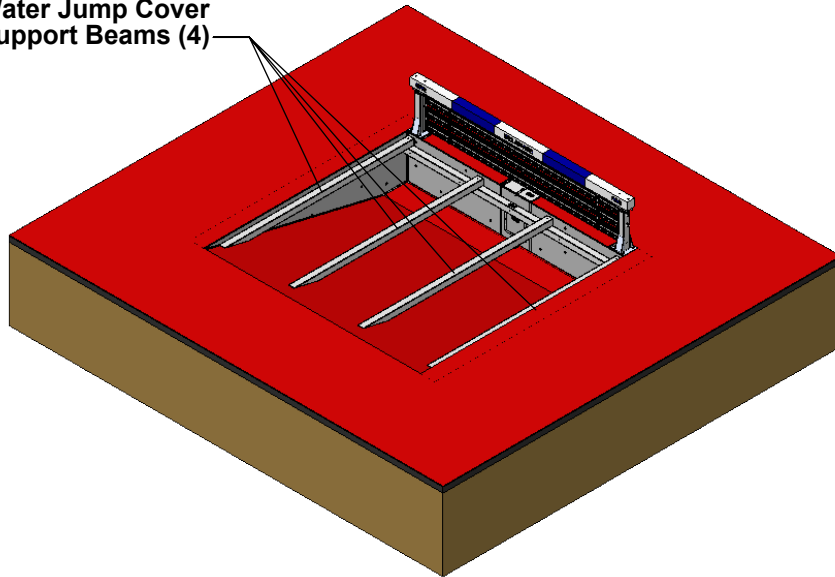
**STEP NO. 11 -  
WJH-2XA-MP INSTALLATION**

Water Jump Cover  
Rear Anchor Beam



**STEP NO. 12 -  
WJC REAR ANCHOR BEAM ASSEMBLY**

Water Jump Cover  
Support Beams (4)



**STEP NO. 13 -  
WJC SUPPORT BEAM ASSEMBLY**



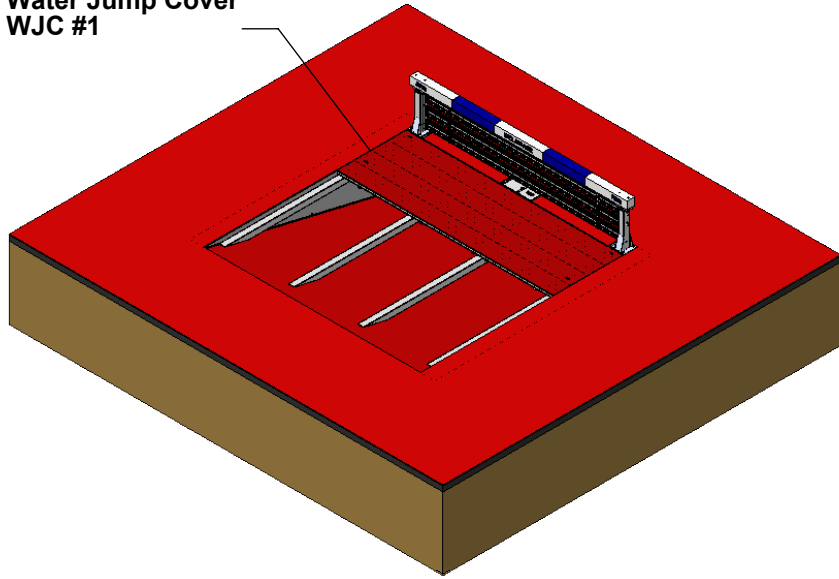
**Aluminum Athletic Equipment**  
1000 Enterprise Drive, Royersford, PA 19468  
Toll Free: (800) 523-5471 Fax: (610) 825-2378  
www.AAEsports.com

DESCRIPTION:		
<b>WJFS - Installation Steps No. 11 to 13</b>		
NOTE:		
MODEL:	CATEGORY:	DATE:
WJFS	<b>CUSTOMER</b>	5/22/08
DWN. BY:	CAD FILE:	DWG. NO.:
TAD	WJFS - Steps 11-13	WJFS-C-004



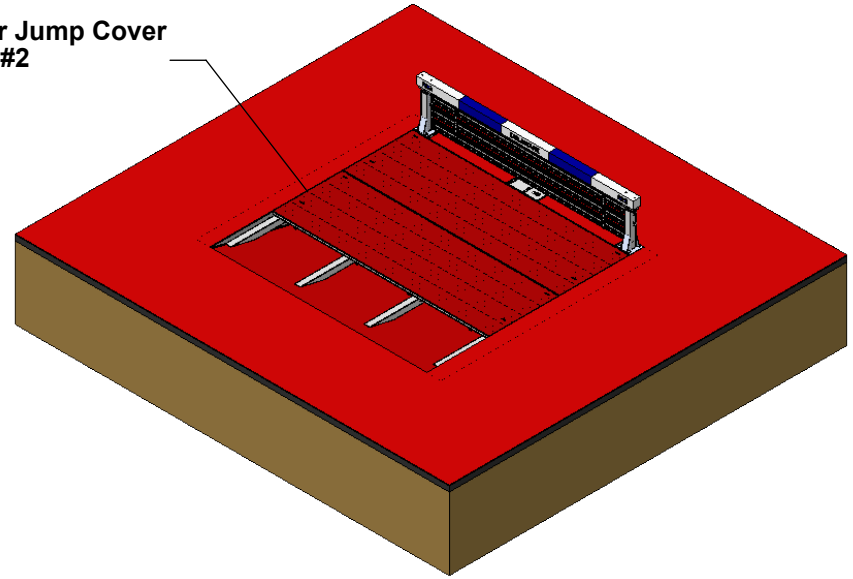
# WJFS - Installation Steps No. 14A to 14C

Water Jump Cover  
WJC #1



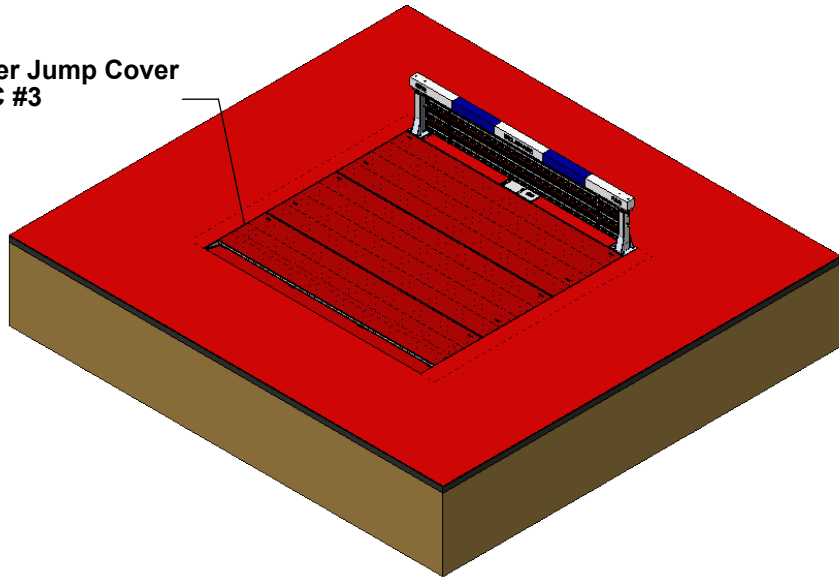
**STEP NO. 14A -  
WJC - #1 COVER PLACEMENT**

Water Jump Cover  
WJC #2



**STEP NO. 14B -  
WJC - #2 COVER PLACEMENT**

Water Jump Cover  
WJC #3



**STEP NO. 14C -  
WJC - #3 COVER PLACEMENT**



**Aluminum Athletic Equipment**  
1000 Enterprise Drive, Royersford, PA 19468  
Toll Free: (800) 523-5471 Fax: (610) 825-2378  
www.AAEsports.com

DESCRIPTION:  
**WJFS - Installation Steps No. 14A to 14C**

NOTE:

MODEL: WJFS	CATEGORY: <b>CUSTOMER</b>	DATE: 5/22/08
DWN. BY: TAD	CAD FILE: WJFS - Steps 14A to 14C	DWG. NO. WJFS-C-005