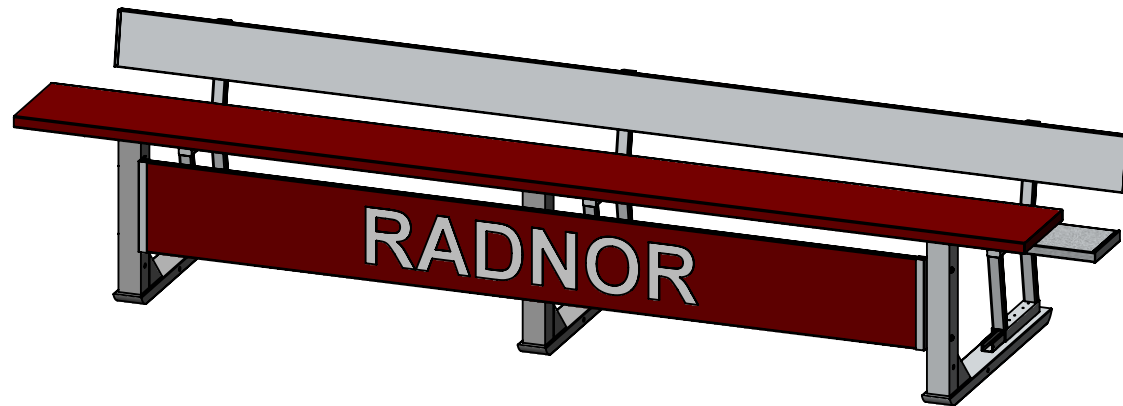
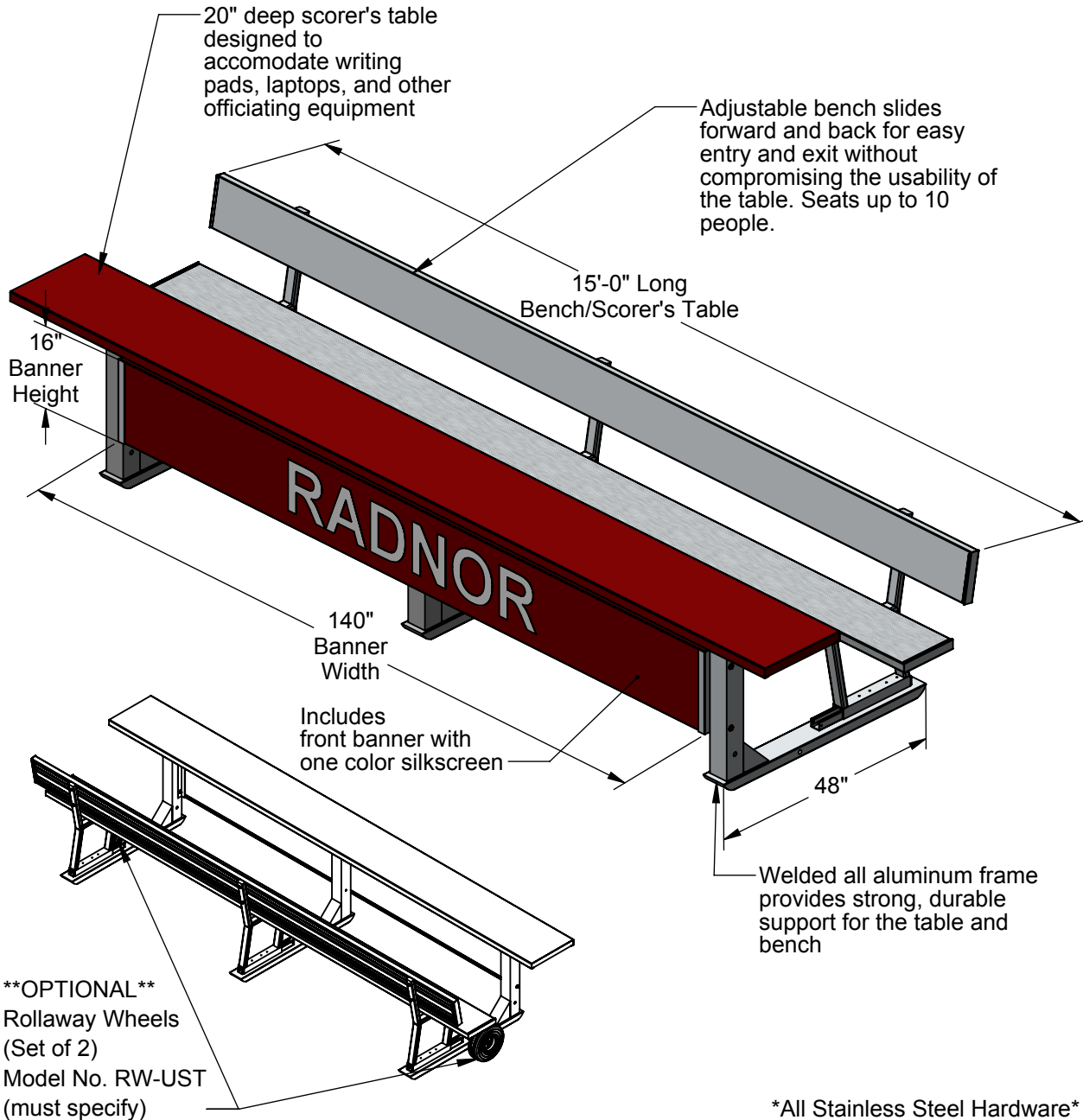


AAE Model No. UST-15-P
15' Portable Unibody Scorer's Table

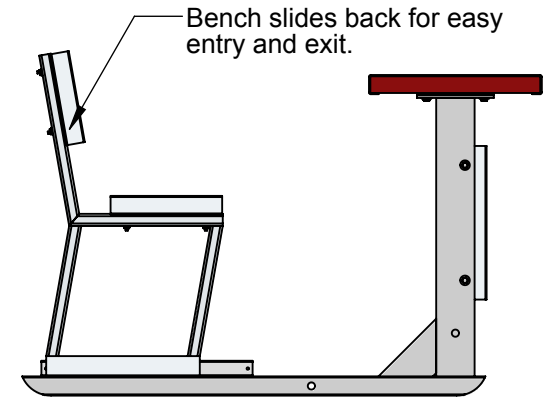


Aluminum Athletic Equipment
1000 Enterprise Drive, Royersford, PA 19468
Toll Free: (800) 523-5471 Fax: (610) 825-2378
www.AAEsports.com

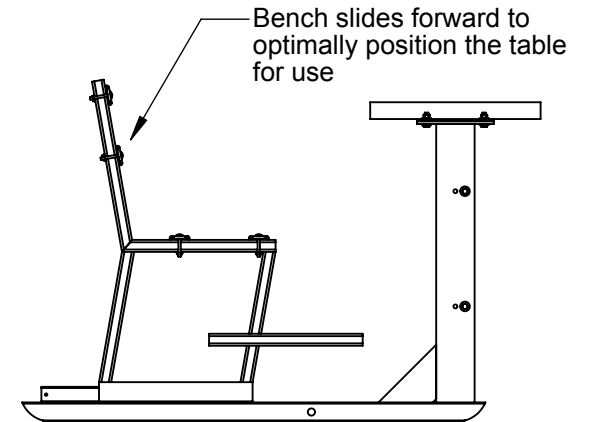
UST-15/P-FB - Unibody Scorer's Table Specifications



Bench in Back Position



Bench in Forward Position



Aluminum Athletic Equipment
1000 Enterprise Drive, Royersford, PA 19468
Toll Free: (800) 523-5471 Fax: (610) 825-2378
www.AAEsports.com

DESCRIPTION:		
UST-15/P-FB - Unibody Scorer's Table		
NOTE: Adjustable bench seats up to 10 people, includes Front Banner (FB)		
MODEL:	CATEGORY:	DATE:
UST-15/P-FB	CUSTOMER	04/30/18
DWN. BY:	CAD FILE:	DWG. NO.:
CED	UST-15 Specifications	UST-15/P-FB-C-001