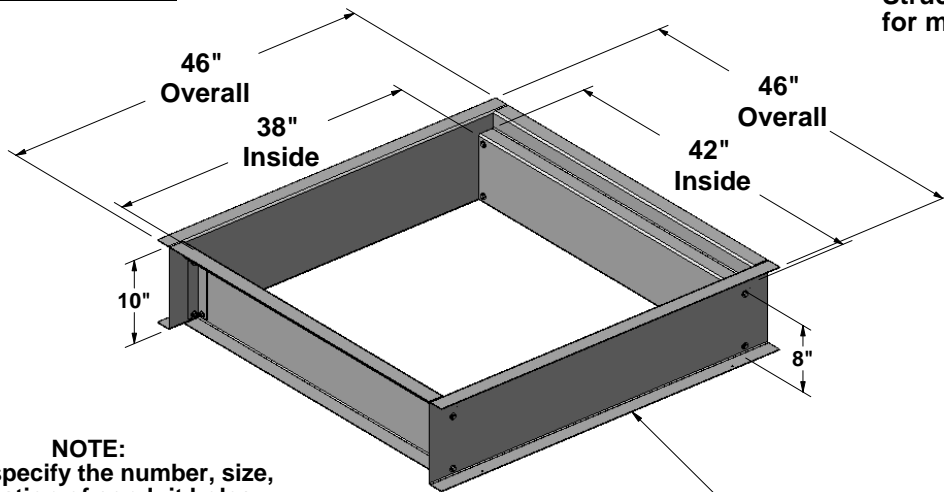


UBC-GA/104242 - Utility Box/Cover - Aluminum

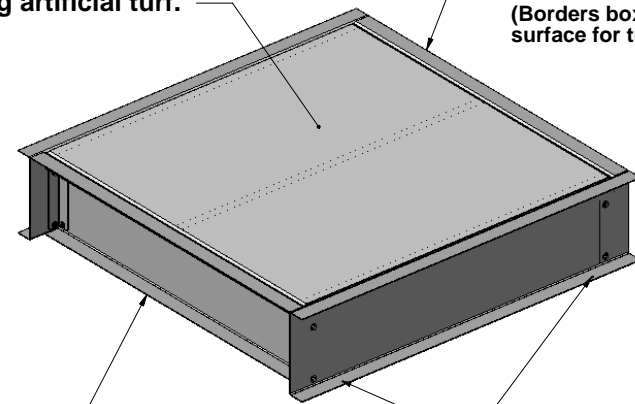
(Nominal 10"D x 42"W x 42"L)

Specifications



Structural Aluminum Cover
for mounting artificial turf.

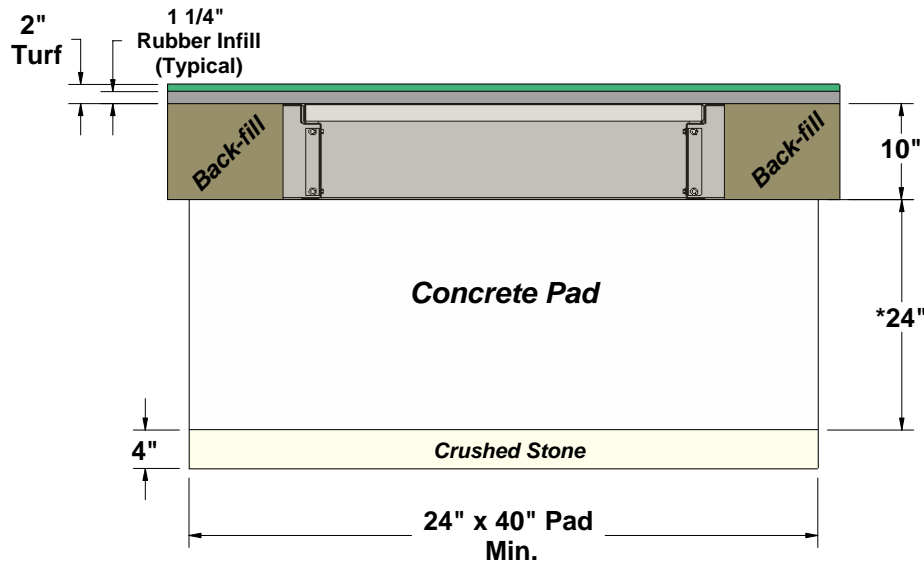
Turf Mounting Angle
(Borders box and allows a
surface for turf to mount)



Mounting Holes (4)
(Concrete Screws Not Included)

12 Gauge
Galvanealed Steel
Box Construction

NOTE:
*Please specify the number, size,
and location of conduit holes
to be made in box.
If not specified AAE will ship
without any holes;
they will have to be
drilled by contractor.



Weights:

(1) Box = 75 lbs./ea.

(1) Full Cover = 32 lbs./ea.

Overall Weight = 107 lbs.



Aluminum Athletic Equipment
1000 Enterprise Drive, Royersford, PA 19468
Phone: (610) 825-6565 Toll Free: (800) 523-5471

DESCRIPTION		
UBC-GA/104242 - Utility Box/Cover - Aluminum		
NOTE:		
MODEL:	CATEGORY:	DATE:
UBC-GA/104242	CUSTOMER	11/3/03
DWN. BY:	CAD FILE:	DWG. NO.
TAD	UBC-GA/104242 - Specifications	UBC-GA/104242-C-001

***Please consult local building codes.**