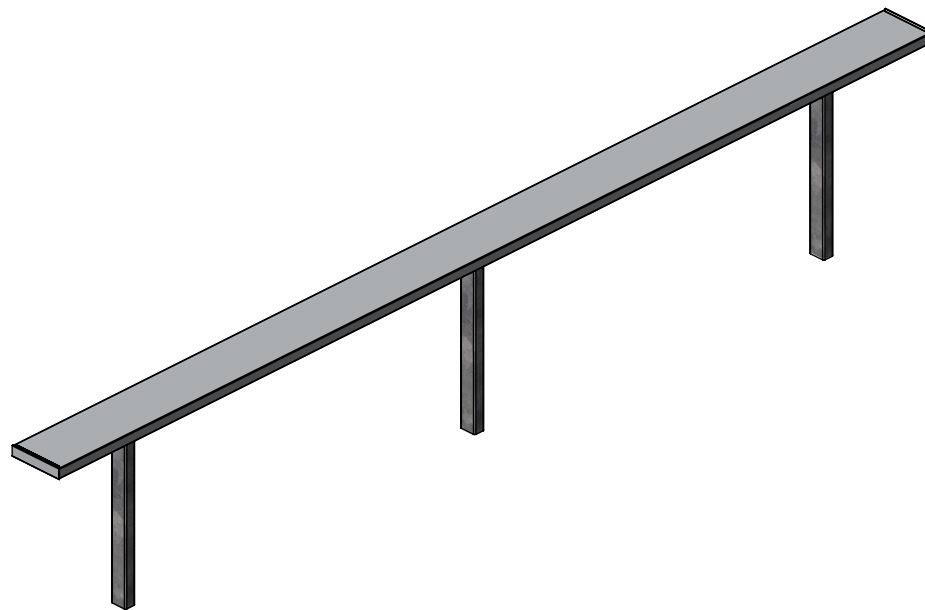
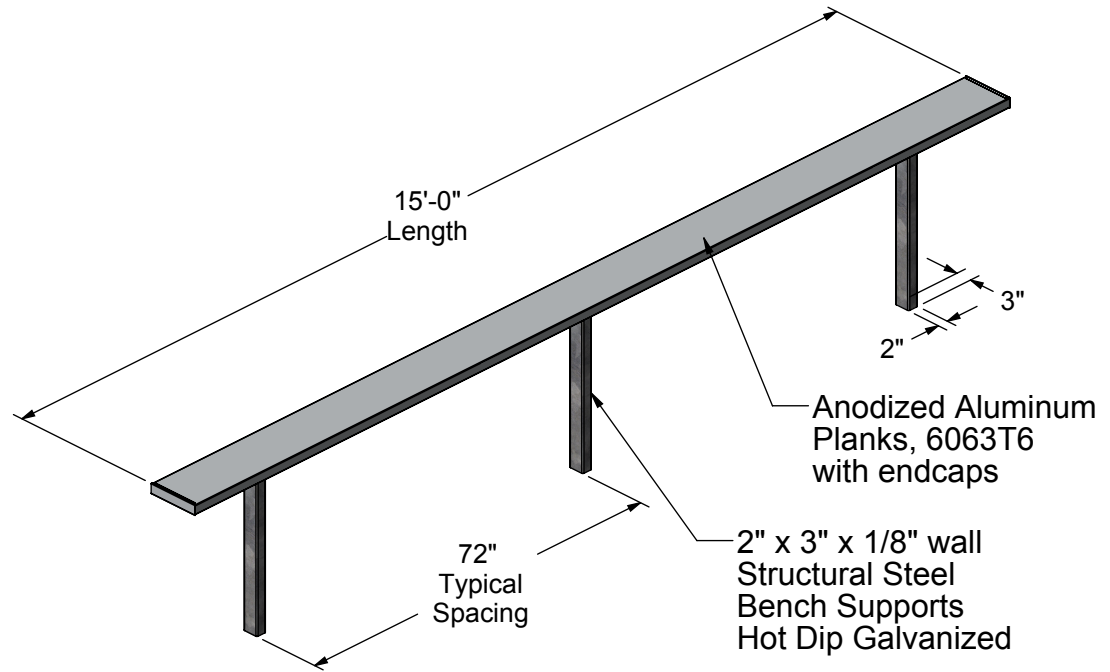
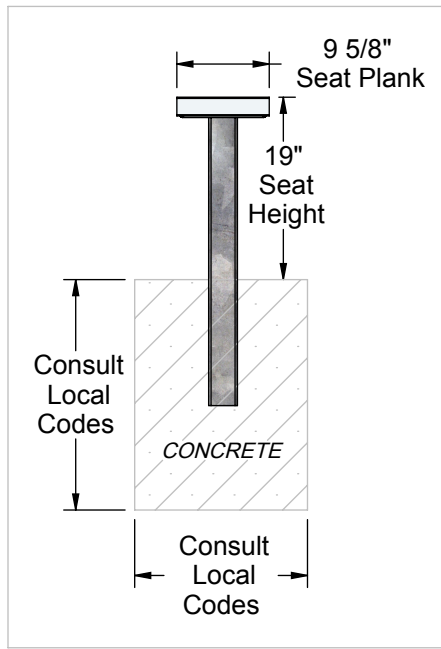


**AAE Model No. TB-15-P**  
**15' Permanent Team Bench**



**Aluminum Athletic Equipment**  
1000 Enterprise Drive, Royersford, PA 19468  
Toll Free: (800) 523-5471 Fax: (610) 825-2378  
[www.AAEsports.com](http://www.AAEsports.com)

# TB-15-P - 15' Permanent Team Bench Specifications



## Equipment Details

Materials: Anodized Aluminum, 6063T6  
Galvanized Steel Tube, 2" x 3" x 1/8" wall  
Aluminum & Stainless Steel Hardware  
Concrete

Overall Weight: 70 lbs.  
Overall Size: 19" high x 9 5/8" deep x 15' long

\*AAE Warranty Standard\*



**Aluminum Athletic Equipment**  
1000 Enterprise Drive, Royersford, PA 19468  
Toll Free: (800) 523-5471 Fax: (610) 825-2378  
www.AAEsports.com

|                                 |                          |               |
|---------------------------------|--------------------------|---------------|
| DESCRIPTION:                    |                          |               |
| <b>TB-15-P - Specifications</b> |                          |               |
| NOTE:                           |                          |               |
| 15' Permanent Team Bench        |                          |               |
| MODEL:                          | CATEGORY:                | DATE:         |
| TB-15-P                         | <b>CUSTOMER</b>          | 10/09/2018    |
| DWN. BY:                        | CAD FILE:                | DWG. NO.:     |
| CED                             | TB-15-P - Specifications | TB-15-P-C-001 |