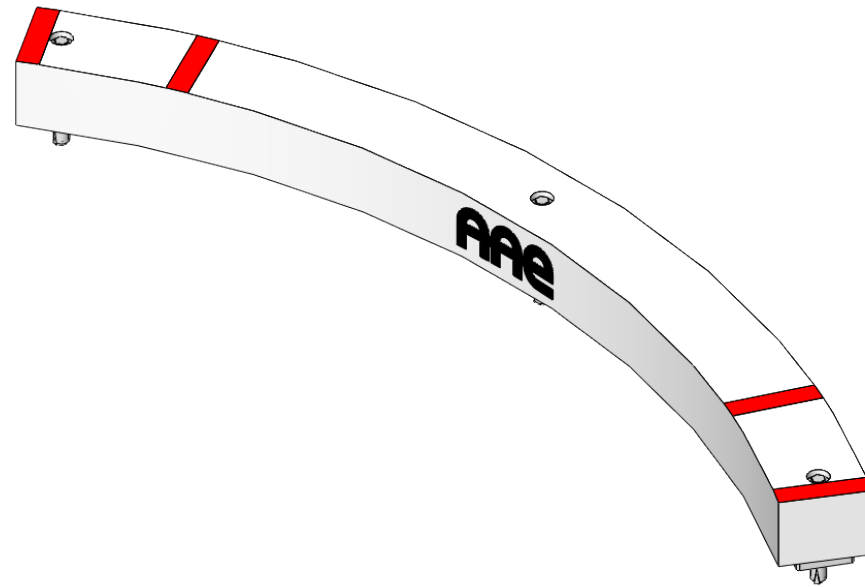
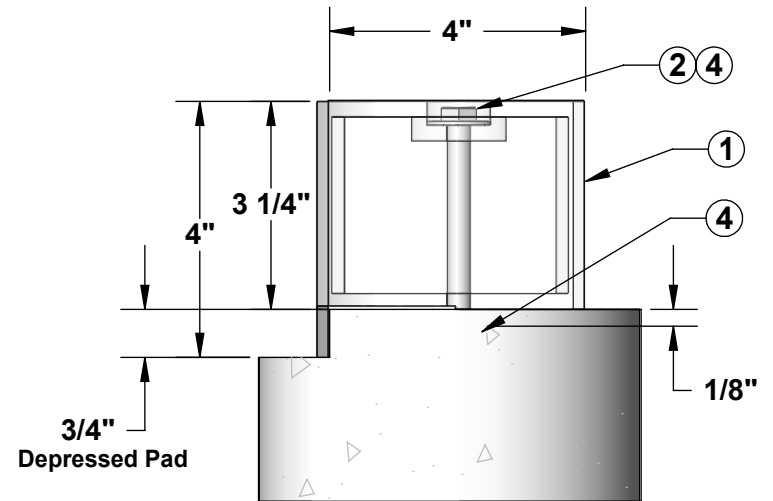
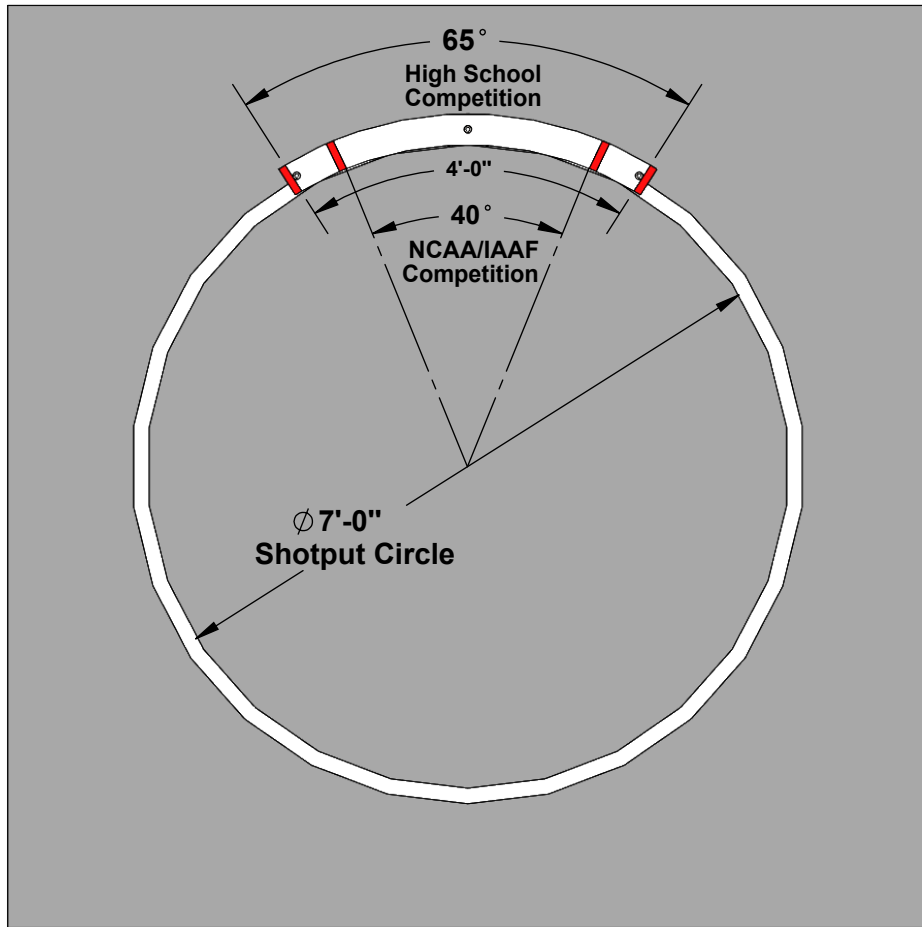


AAE Model No. STBC
Synthetic Toe Board (with Depressed Pad)

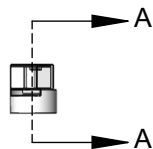


Aluminum Athletic Equipment
1000 Enterprise Drive, Royersford, PA 19468
Toll Free: (800) 523-5471 Fax: (610) 825-2378
www.AAEsports.com

STBC
Synthetic Toe Board
(with Depressed Pad)



Section "A-A"



 Aluminum Athletic Equipment 1000 Enterprise Drive, Royersford, PA 19468 Toll Free: (800) 523-5471 Fax: (610) 825-2378 www.AAEsports.com		
DESCRIPTION		
STBC - Synthetic Toe Board (with a Depressed Pad)		
NOTE:		
Shotput Toe Board Pad for use with a 3/4" Depressed Pad		
MODEL:	CATEGORY:	DATE:
STBC	CUSTOMER	6/18/02
DWN. BY:	CAD FILE:	DWG. NO.:
TAD	STBC - Specifications	STBC-C-001

**STBC (for use w/ a 3/4" depressed pad)
SYNTHETIC SHOTPUT TOE BOARD
INSTRUCTIONS INSTALLATION & PARTS LIST**

INSTALLATION:

1. Position the toe board (Item no. 1) in place. The inner edge of the toe board should line up with the inside diameter of the painted circle, and be centered in the throwing sector (See Drawing No. STBC-C-001 for diagram). Establish the locations for installing the concrete anchors.
2. Remove the toe board. Using a 3/4" diameter masonry bit (not included), drill 3 (three) holes, 2-1/2" deep, at the marked locations.
3. Install concrete expansions shields (Item No. 4), threaded side down, into the holes and tap flush with the concrete surface.
4. Set toe board back into place and attach with 3/8"-16 x 5" machine bolts, and 3/8" diameter washers (Item nos. 2 & 3). Tighten bolts firmly to expand concrete anchors into place.

PARTS LIST:

Pt.#	Item	Description	Qty.
1	STBC Toe Board (Synthetic)	3-1/4" high x 4" wide x .250 wall, UHMW Synthetic Material, 4' sector	1
2	Bolt	3/8"-16 x 5" S.S.	3
3	Washer	3/8" S.S.	3
4	Expansion shield	3/8"-16 x 2" Loxin machine bolt concrete double expansion shield	3

FOR TECHNICAL ASSISTANCE, CALL 1-800-523-5471