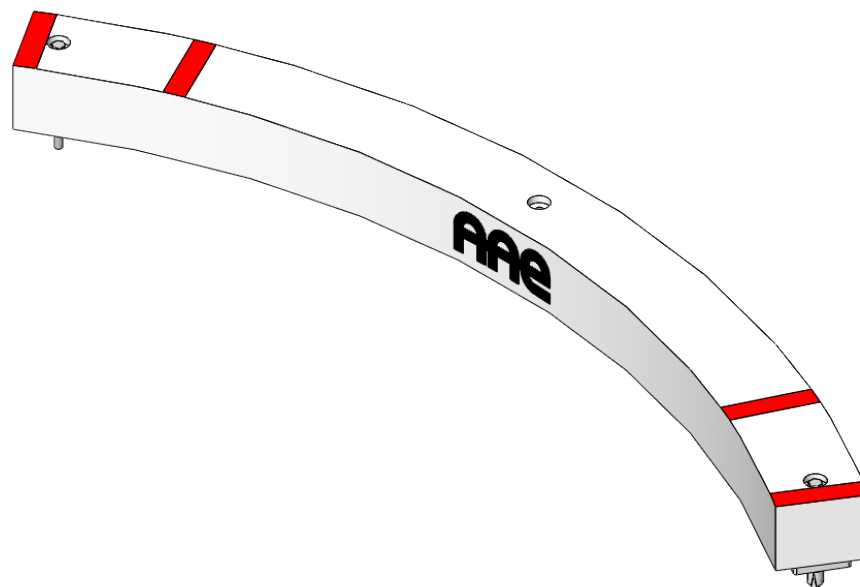
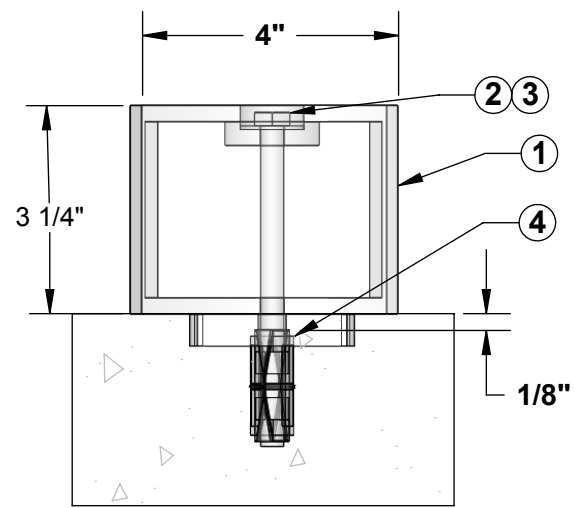
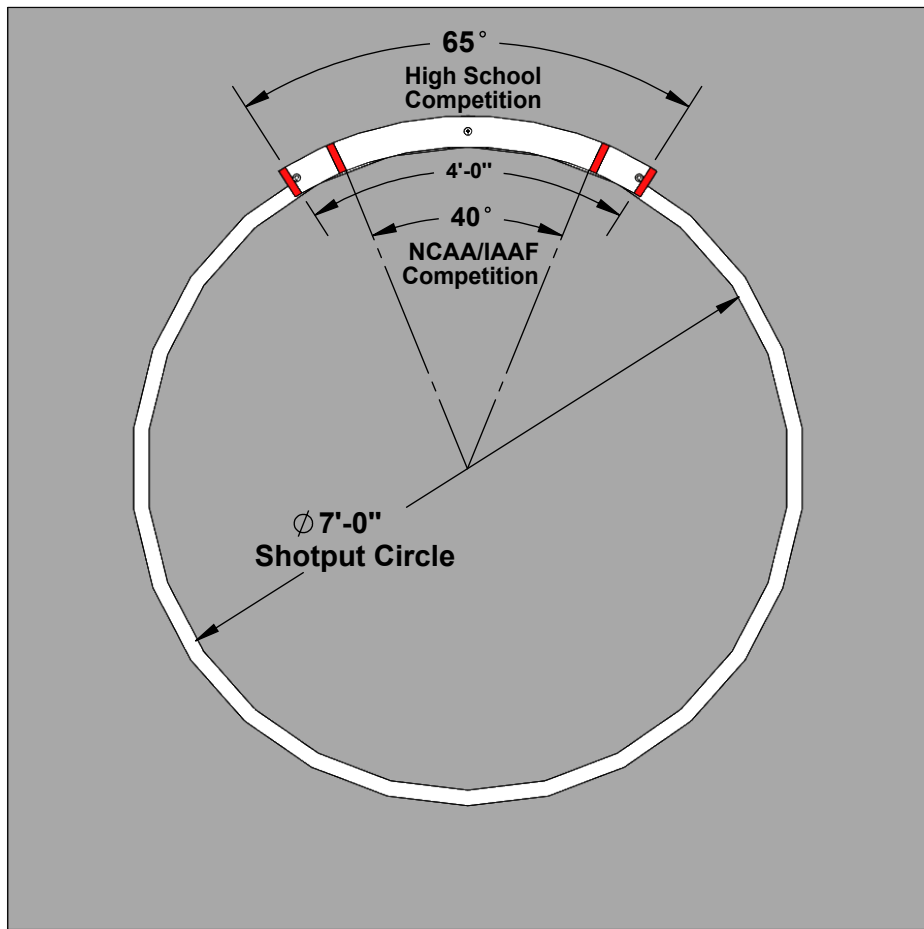


AAE Model No. STB Synthetic Toe Board




Aluminum Athletic Equipment
1000 Enterprise Drive, Royersford, PA 19468
Toll Free: (800) 523-5471 Fax: (610) 825-2378
www.AAEsports.com

STB
Synthetic Toe Board
(with Level Pad)



Section "A-A"



 Aluminum Athletic Equipment 1000 Enterprise Drive, Royersford, PA 19468 Toll Free: (800) 523-5471 Fax: (610) 825-2378 www.AAEsports.com		
DESCRIPTION		
STB - Synthetic Toe Board (with a Level Pad)		
NOTE:		
Shotput Toe Board Pad for use with a Level Pad		
MODEL:	CATEGORY:	DATE:
STB	CUSTOMER	6/18/02
DWN. BY:	CAD FILE:	DWG. NO.:
TAD	STB - Specifications	STB-C-001

STB (for use with a level pad)
SYNTHETIC SHOTPUT TOE BOARD
INSTALLATION INSTRUCTIONS & PARTS LIST

INSTALLATION:

1. Position the toe board (Item no. 1) in place. The inner edge of the toe board should line up with the inside diameter of the painted circle, and be centered in the throwing sector (See Drawing No. STB-C-001 for diagram). Establish the locations for installing the concrete anchors.
2. Remove the toe board. Using a 3/4" diameter masonry bit (not included), drill 3 (three) holes, 2-1/2" deep, at the marked locations.
3. Install concrete expansions shields (Item No. 4), threaded side down, into the holes and tap flush with the concrete surface.
4. Set toe board back into place and attach with 3/8"-16 x 5" machine bolts, and 3/8" diameter washers (Item nos. 2 & 3). Tighten bolts firmly to expand concrete anchors into place.

PARTS LIST:

Pt.#	Item	Description	Qty.
1	STB Toe Board (Synthetic)	4" high x 4" wide x .250 wall, UHMW Synthetic Material, 4' sector	1
2	Bolt	3/8"-16 x 5" S.S.	3
3	Washer	3/8" S.S.	3
4	Expansion shield	3/8"-16 x 2" Loxin machine bolt concrete double expansion shield	3

FOR TECHNICAL ASSISTANCE, CALL 1-800-523-5471