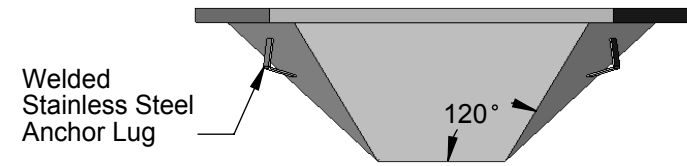
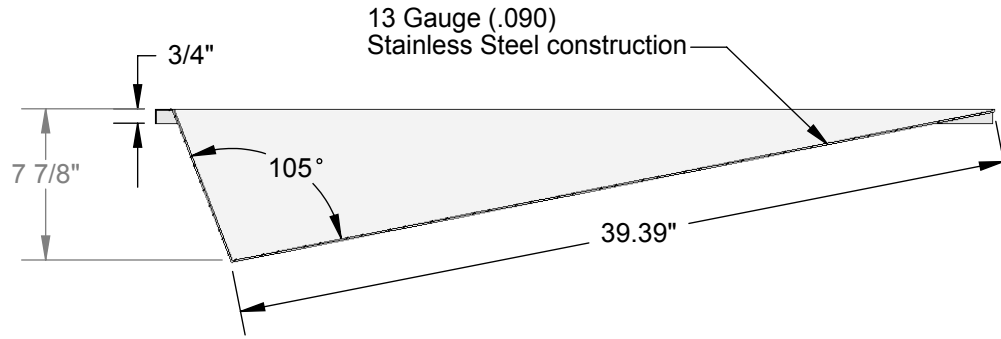
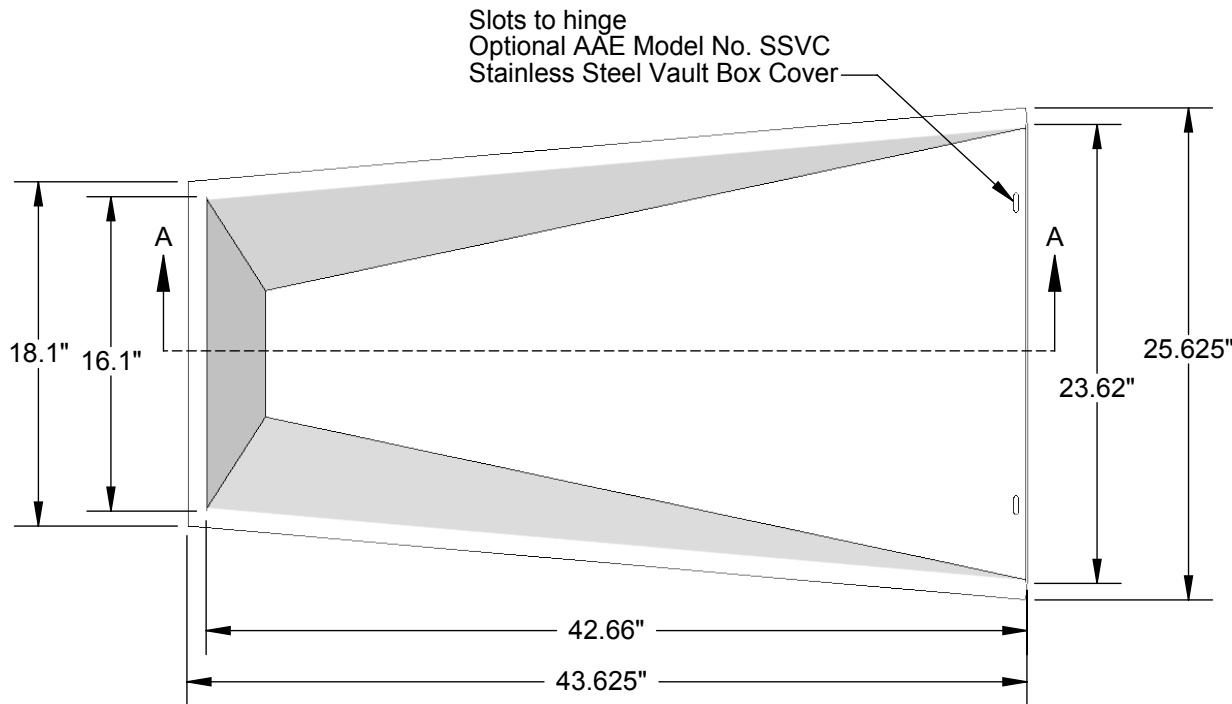



AAE Model No.: SSVB

SSVB - Stainless Steel Vault Box Specifications



SECTION A-A SCALE 1 : 10

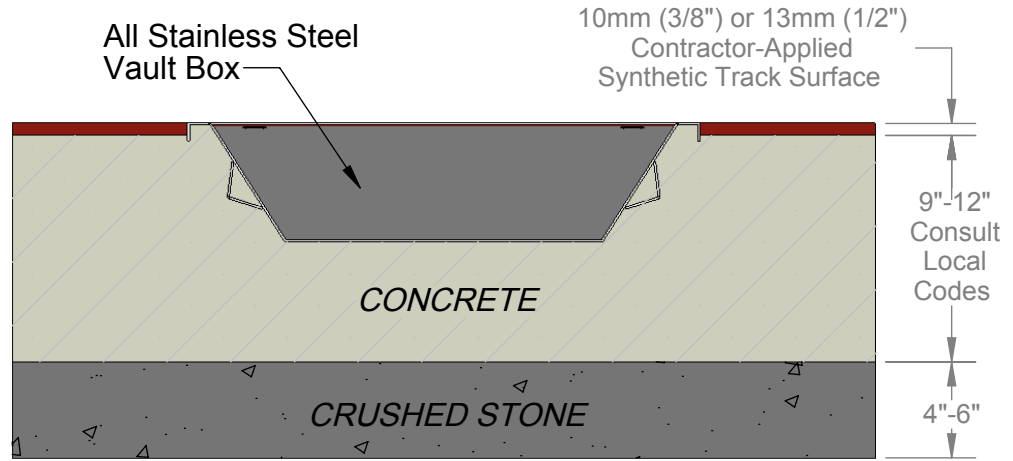
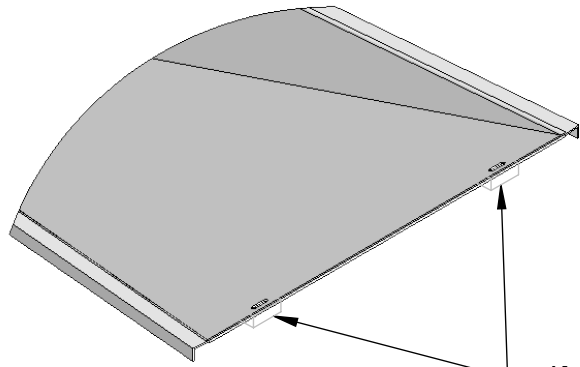


 Aluminum Athletic Equipment 1000 Enterprise Drive, Royersford, PA 19468 Toll Free: (800) 523-5471 Fax: (610) 825-2378 www.AAEsports.com		
DESCRIPTION		
SSVB - Specifications		
NOTE: Stainless Steel Vault Box		
MODEL:	CATEGORY:	DATE:
SSVB	CUSTOMER	08/23/11
DWN. BY:	CAD FILE:	DWG. NO.
ARP	SSVB Specifications	SSVB-C-001

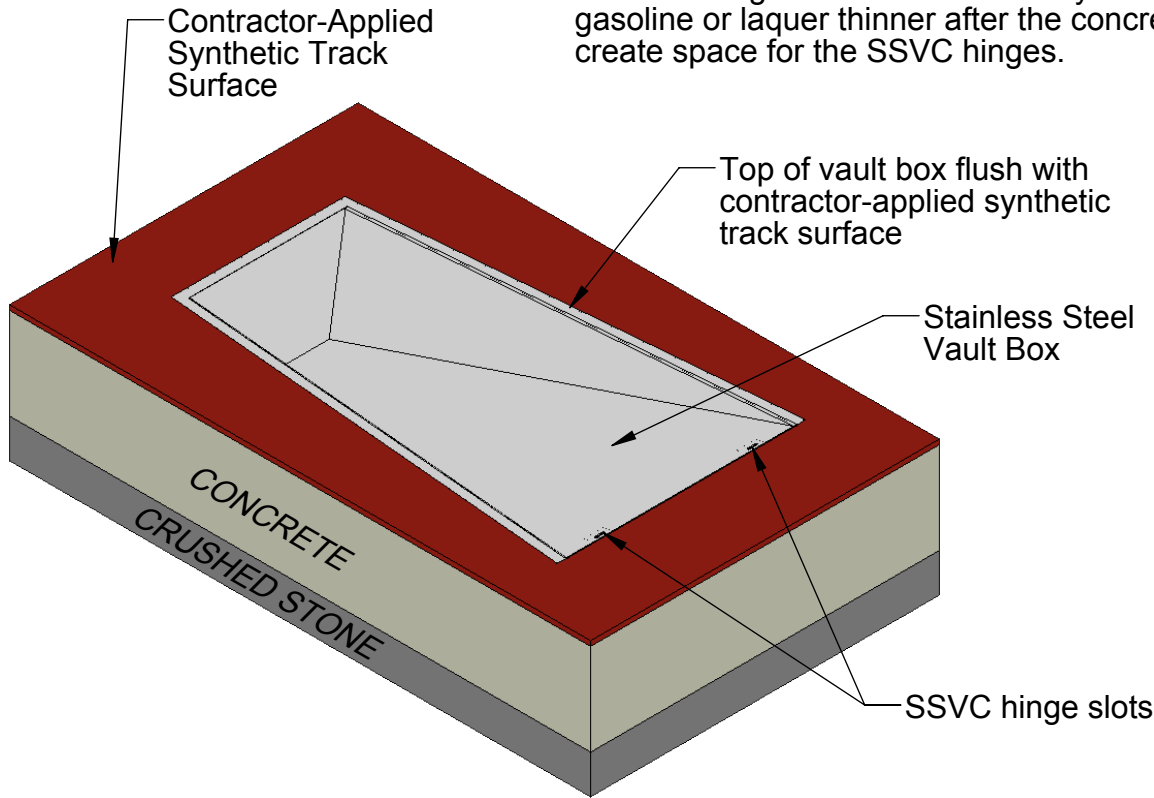
SSVB - Stainless Steel Vault Box

Installation Instructions

For use with SSVC, SSVC-X, or No Cover



***Important*:** Tape styrofoam blocks onto the underside of the vault box underneath the slots before setting the box into the ground. Dissolve the styrofoam with gasoline or laquer thinner after the concrete has set to create space for the SSVC hinges.



Notes:

When using the optional AAE SSVC or SSVC-X stainless steel vault box covers or no cover, the top of the vault box should be flush with the finished track surface. Pour concrete to 10mm (3/8in) below the top of the vault box for a 10mm track surface application (13mm [1/2in] for a 13mm track surface application).



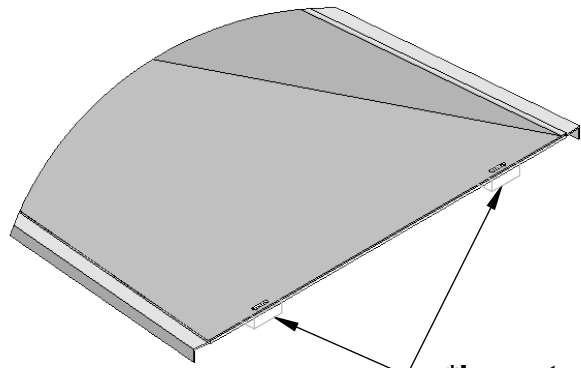
Aluminum Athletic Equipment
 1000 Enterprise Drive, Royersford, PA 19468
 Toll Free: (800) 523-5471 Fax: (610) 825-2378
www.AAEsports.com

DESCRIPTION:		
SSVB - Installation		
NOTE: For use with SSVC, SSVC-X, or No Cover		
MODEL: SSVB	CATEGORY: CUSTOMER	DATE: 09/07/11
DWN. BY: ARP	CAD FILE: SSVB Packet	DWG. NO. SSVB-C-002

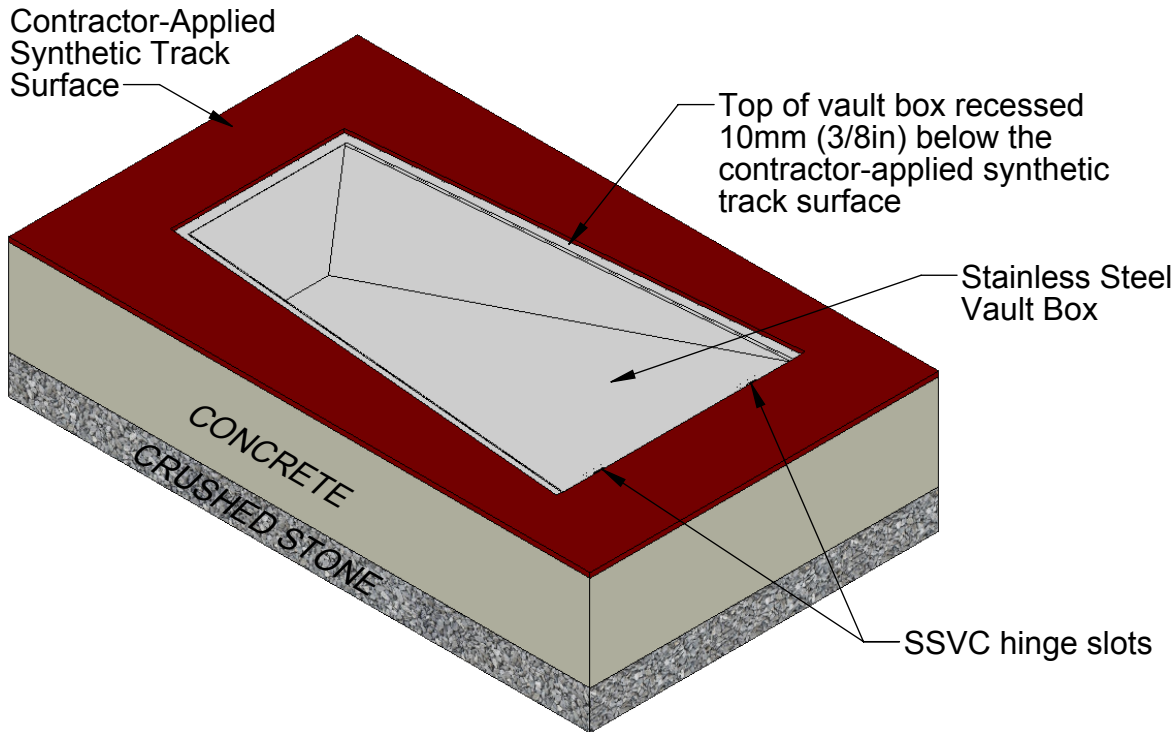
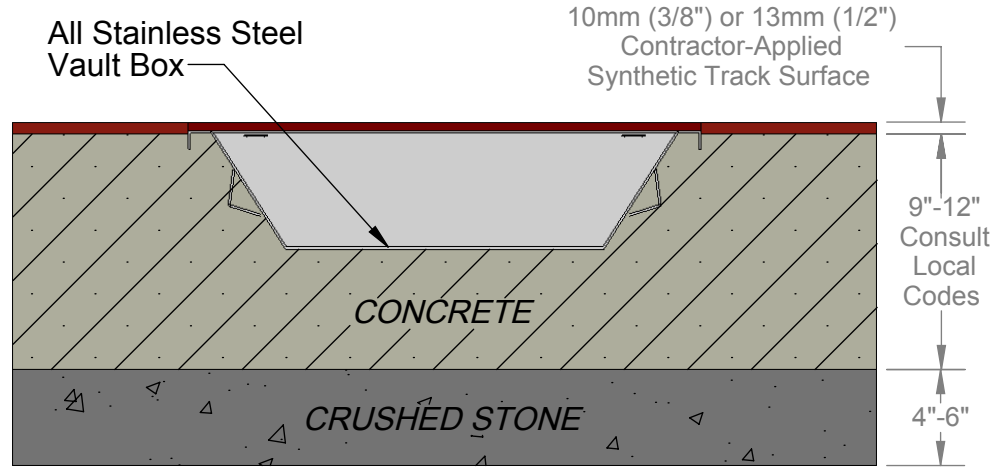
SSVB - Stainless Steel Vault Box

Installation Instructions

For use with SSVC/L or SSVC-X/L



***Important*:** Tape styrofoam blocks onto the underside of the vault box underneath the slots before setting the box into the ground. Dissolve the styrofoam with gasoline or laquer thinner after the concrete has set to create space for the SSVC hinges.



Notes:

When using the optional AAE SSVC/L or SSVC-X/L stainless steel vault box covers, the top of the vault box should be recessed below the finished track surface. For a 10mm (3/8in) track surface application, the top of the vault box should be flush with the top of the concrete (3mm [1/8in] above the concrete for 13mm [1/2in] track surface application). Synthetic track surface should not be applied to the top of the vault box, just the surrounding concrete. SSVC/L and SSVC-X/L accept 10mm (3/8in) track surface application.



Aluminum Athletic Equipment
 1000 Enterprise Drive, Royersford, PA 19468
 Toll Free: (800) 523-5471 Fax: (610) 825-2378
 www.AAEsports.com

DESCRIPTION:			SSVB - Installation		
NOTE:			For use with SSVC/L or SSVC-X/L		
MODEL:	SSVB	CATEGORY:	CUSTOMER	DATE:	09/07/11
DWN. BY:	ARP	CAD FILE:	SSVB Packet	DWG. NO.:	SSVB-C-003