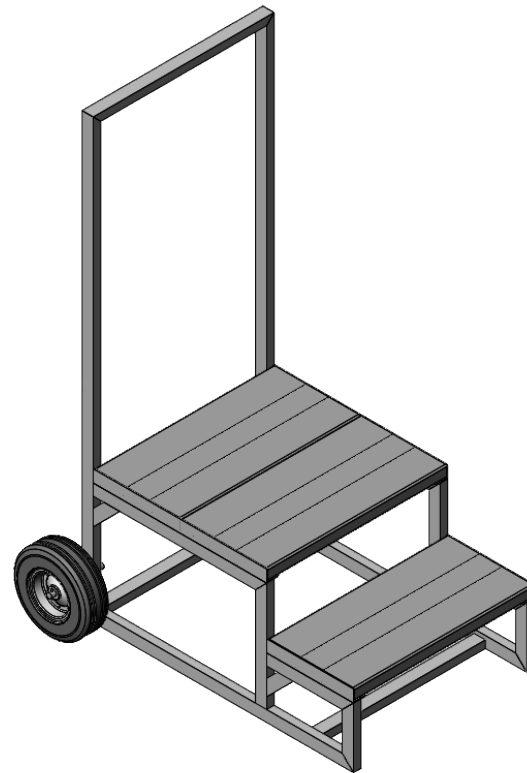


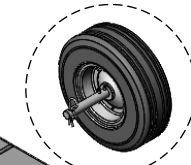
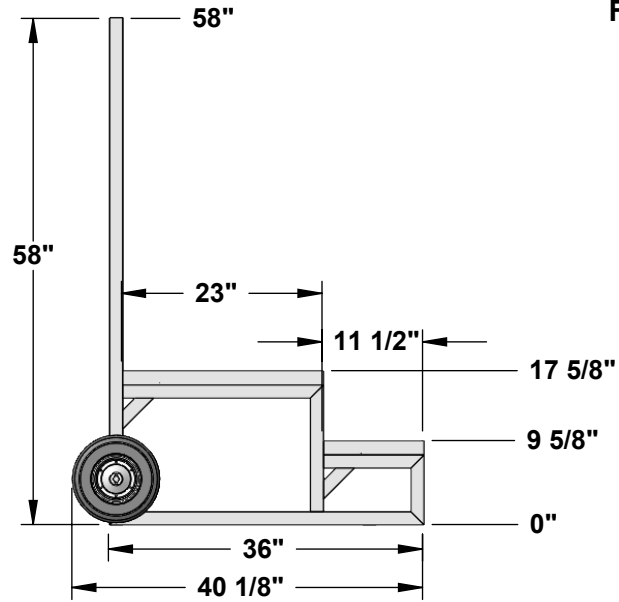
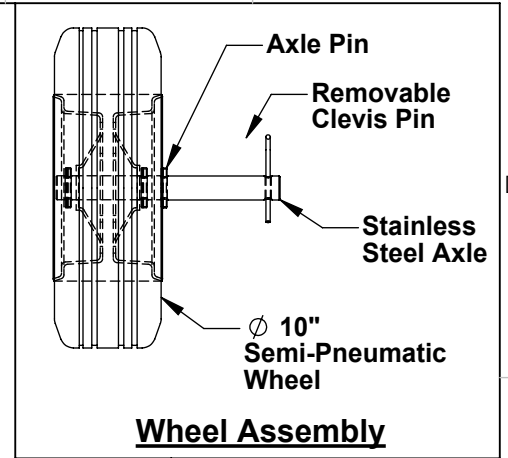
AAE Model No. SP Starter's Platform



Aluminum Athletic Equipment
1000 Enterprise Drive, Royersford, PA 19468
Toll Free: (800) 523-5471 Fax: (610) 625-2378
www.AAEsports.com

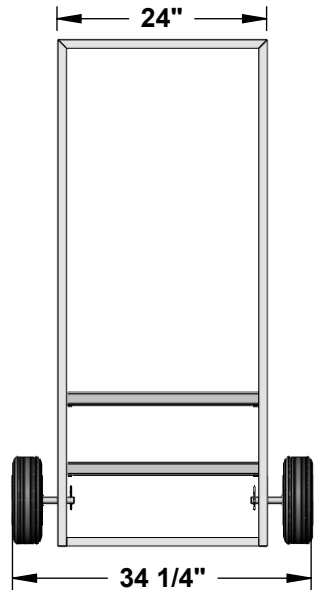
SP - Starter's Platform Specifications

1-1/2" x 1" x .125" (6063T6)
Rectangular Aluminum
Framing (welded as 1 piece)




1-1/2" x 1" Aluminum
Angle Supports

2" x 12"
Mill Aluminum
Planking (3)



Total Weight: 27 lbs. (w/o wheels)

 Aluminum Athletic Equipment 1000 Enterprise Drive, Royersford, PA 19468 Toll Free: (800) 523-5471 Fax: (610) 825-2378 www.AAEsports.com		
DESCRIPTION		
SP - Starter's Platform Specifications & Assembly		
NOTE: Replaces Drawing No. AAE-347		
MODEL:	CATEGORY:	DATE:
SP	CUSTOMER	9/30/02
DWN. BY:	CAD FILE:	DWG. NO.:
TAD	SP - Specifications & Assembly	SP-C-001