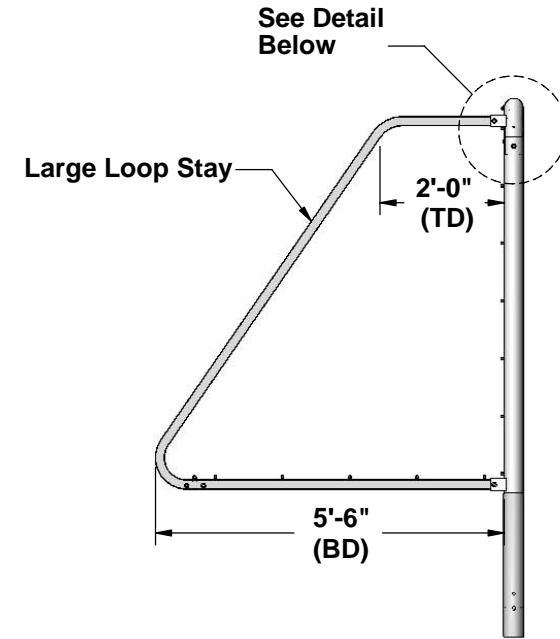
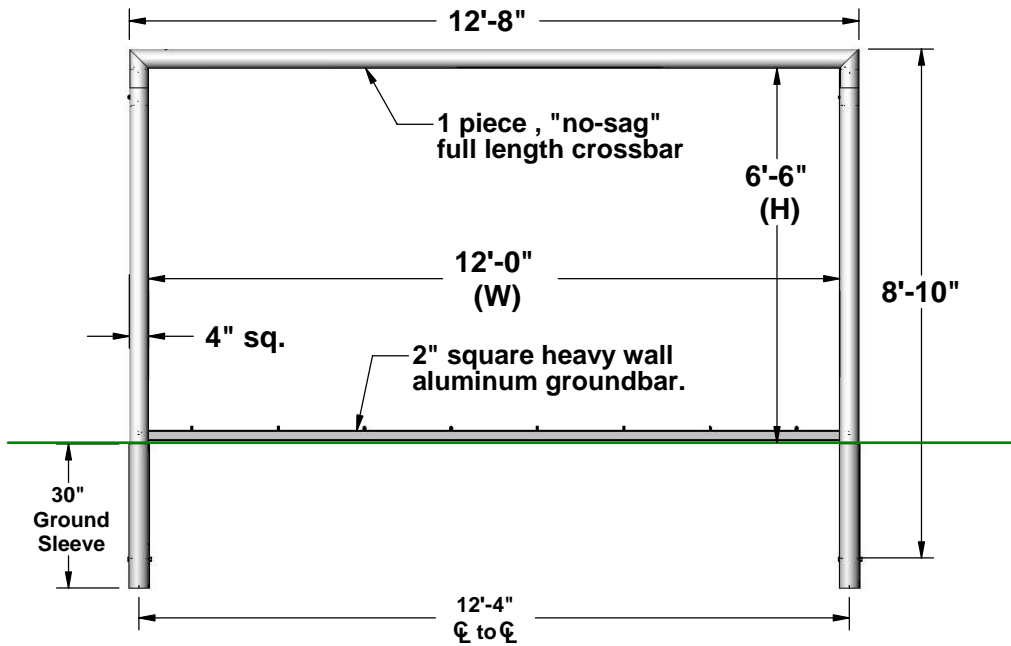


SGR-SP/12-LLS - Specifications

6'-6"H x 12'W x 2'TD x 5'-6"BD



Ø 4" x .125" wall
Round Custom Aluminum
extrusion crossbar and uprights
with Integral net attachment slots.

Bored MNC Insert Hole

Aluminum crossbar & uprights
powder-coated white.

Ø 7/8" Plastic Cap

10" long aluminum pipe
connects upright to crossbar.
Heavy wall pipe allows easy
alignment and strong connection.

Large Loop Stay
2" x 2" heavy wall extruded
aluminum tube.

All Hardware is Stainless Steel

Heavy Duty Molded Net Clips (MNC)
included for quick and easy net attachment.
*Ideal for everyday net removal.

Section View

ADDITIONAL FEATURES

- * Quality Club Size.
- * Goals Powder-coated White.
- * Molded Net Clips (MNC) for easy net removal.
- * All-Aluminum Goal & Stainless Steel Hardware.
- * 30" Semi-Permanent Ground Sleeve.
- * Large Loop Stay

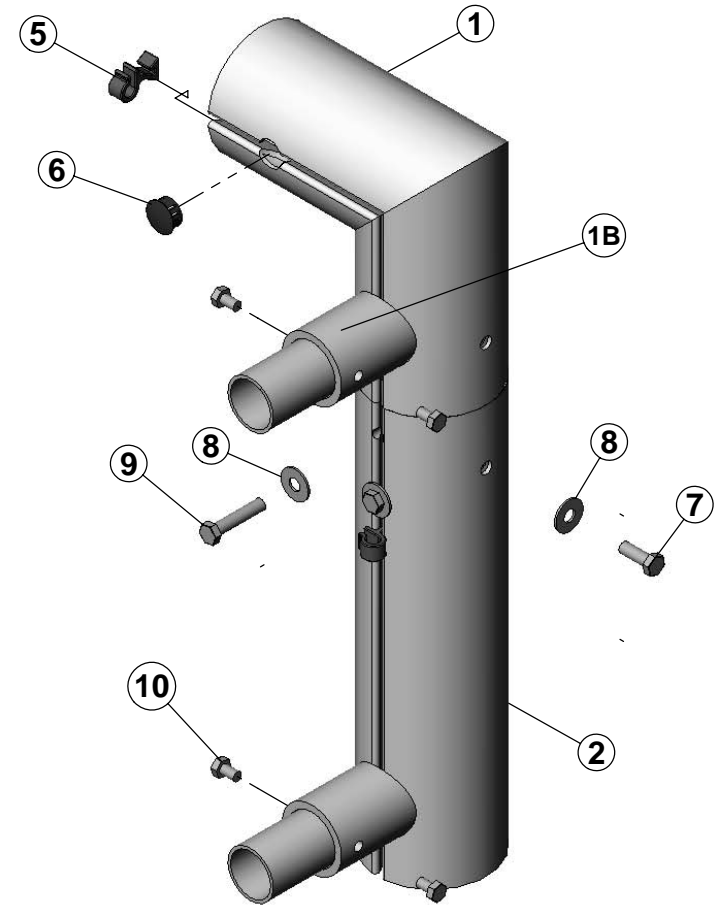
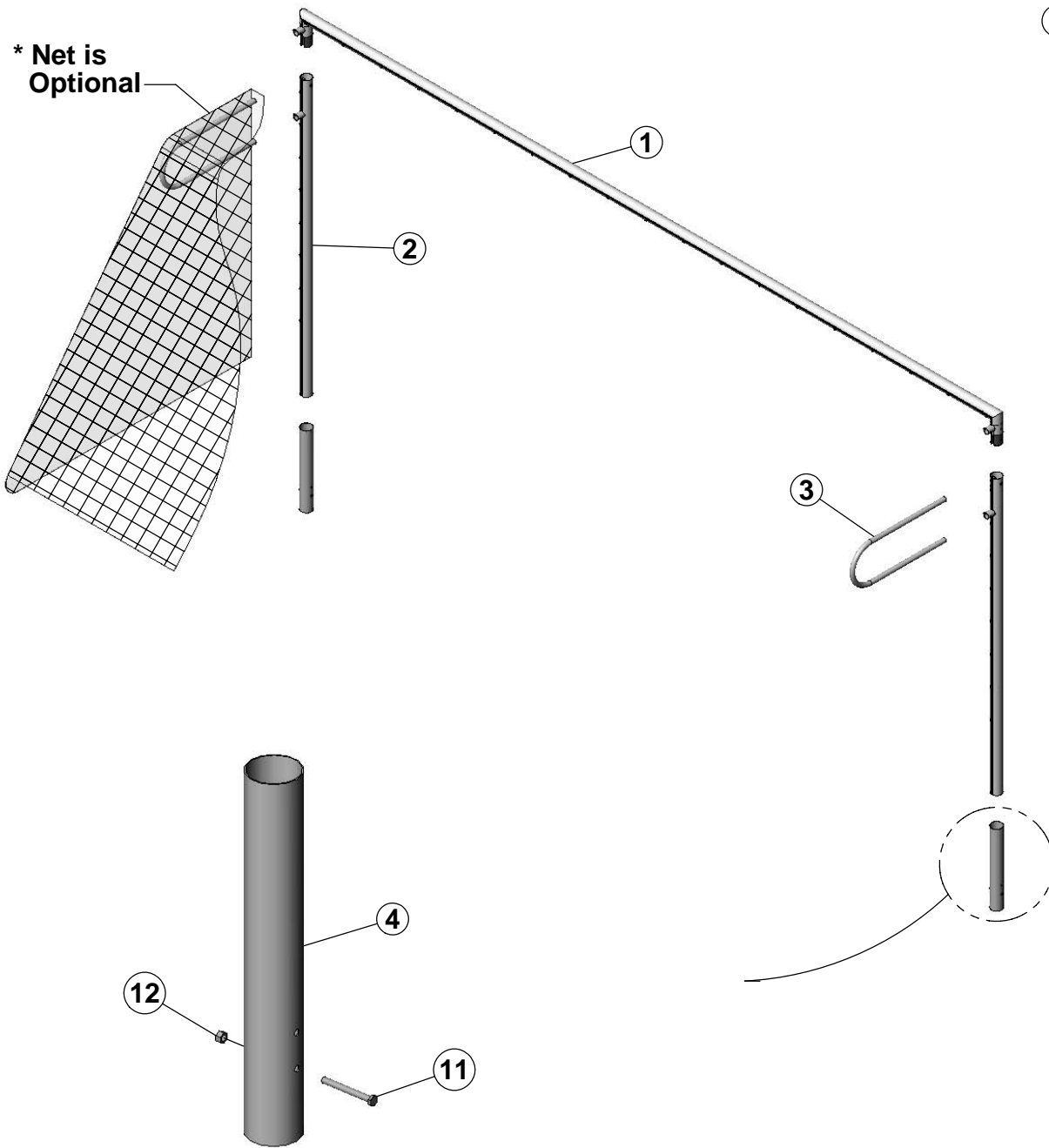


Aluminum Athletic Equipment
1000 Enterprise Drive, Royersford, PA 19468
Toll Free: (800) 523-5471 Fax: (610) 825-2378
www.aesports.com

DESCRIPTION		
SGR-SP/12-LLS - Specifications (Large Loop Stay)		
NOTE: 6'-6"H x 12'W x 2'TD x 5'-6"BD (Round Goal)		
MODEL:	CATEGORY:	DATE:
SGR-SP/12-LLS	CUSTOMER	2/25/09
DWN. BY:	CAD FILE:	DWG. NO.:
TAD	SGR-SP/12-LLS - Round - Specs	SGR-SP/12-LLS-C-002

SGR-SP - Assembly

* Net is Optional



Aluminum Athletic Equipment
 1000 Enterprise Drive, Royersford, PA 19468
 Toll Free: (800) 523-5471 Fax: (610) 825-2378
www.aesports.com

DESCRIPTION:		
SGR-SP - Assembly		
NOTE:		
Replaces old drawing AAE-163		
MODEL:	CATEGORY:	DATE:
SGR-SP	CUSTOMER	5/20/04
DWN. BY:	CAD FILE:	DWG. NO.:
TAD	SGR-SP - Assembly	SGR-SP-C-003

**SGR-SP
PERMANENT SOCCER GOAL
INSTALLATION AND ASSEMBLY INSTRUCTIONS**

INSTALLATION:

The design of the SGR-SP permits the ground sleeves to be installed in either of two ways; they are as follows:

GROUND SLEEVES (FLUSH INSTALLATION):

1. Locate proper location for placement of soccer goal.
2. Dig 15" - 18" diameter holes 24'4" apart (on center), a minimum of 30" deep. **(Consult local building codes for concrete depth and drainage requirements.)**
3. Remove the portion of tape on the ground sleeve covering the hole **24"** down from the top of the sleeve. Install 1/2"-13 x 5" hex bolt (Item No. 11) through the hole and tighten with 1/2"-13 hex nut (Item No. 12) **Important: Leave the tape over the other holes, so concrete will not enter the ground sleeve when installed.**
3. Install 30" aluminum ground sleeves so that the top of the ground sleeves are 1/4" below ground level. (Recessing the ground sleeve 1/4" allows the aluminum cap to be flush with the surface when the goal is in storage.) Make sure they are plumb, level, and centered according to "spec". Pour concrete all around the ground sleeves. **(Be sure not to get any concrete inside the ground sleeves!)** As the concrete cures, constantly check that the sleeves are plumb and level, and that the 24'4" dimension from center to center is maintained. (Ref. - The distance from ground level to the stopbolt at the bottom of the ground sleeve should be 24".)

GROUND SLEEVES (RECESSED INSTALLATION):

1. Locate proper location for placement of soccer goal.
2. Dig 15" - 18" diameter holes 24'4" apart, (on center) a minimum of 33-1/4" deep. **(Consult local building codes for concrete depth and drainage requirements.)**
3. Remove the portion of tape on the ground sleeves covering the hole **21"** down from the top of the sleeve. Install 1/2"-13 x 5" hex bolt (Item No. 11) through the hole and tighten with 1/2"-13 hex nut (Item No. 12) **Important: Leave the tape over the other holes, so concrete will not enter the ground sleeve when installed.**
4. Install 30" aluminum ground sleeves so that the top of the ground sleeves are 3-1/4" below ground level. Make sure they are plumb, level, and centered according to "spec". Pour concrete all around the ground sleeves. **(Be sure not to get any concrete inside the ground sleeves!)** As the concrete cures, constantly check that the sleeves are plumb and level, and that the 24'4" dimension from center to center is maintained. (Ref. - The distance from ground level to the stopbolt at the bottom of the ground sleeve should be 24".)

**SGR-SP
PERMANENT SOCCER GOAL
INSTALLATION AND ASSEMBLY INSTRUCTIONS**

GOAL ASSEMBLY:

1. Assemble uprights (Item No. 2) onto crossbar (Item No. 1) using 3/8"-16 x 1" & 3/8"-16 x 1-3/4" hex bolts and washers (Item Nos. 7, 8, & 9). Make sure the welded sockets for the stays all face in the same direction when assembling! **Note:** Bolts to attach the uprights are already threaded into the connectors welded on crossbar (Item No. 1) - Remove bolts to install.
2. Lay assembled frame on the ground with the welded stay receptacles facing up. Insert loop stay (Item No. 3) all the way into the receptacles and secure with 3/8" - 16 x 5/8" hex bolts and washers (Item Nos. 10 & 8) **Note:** Do not over tighten bolts - Threads will strip if over-torqued!
3. Slide the 24' long PVC net extrusion (Item No. 5) into the slot in the crossbar. (The crossbar is slotted at one end to allow the entry of the extrusion. Slide the 79" long PVC net extrusions (Item No. 6) into the bottom of each upright.
4. Repeat steps 1 to 3 to assemble other goal.

INSERTING ASSEMBLED GOAL:

1. Be sure concrete **is fully cured** before attempting to insert assembled goal into the ground sleeves.
2. Use at least four (4) people to lift and stabilize the goal, and bring it to a vertical position. Carefully align the uprights with their respective ground sleeves and **slowly** lower the goal into position. (Watch so that the PVC net extrusion on the uprights do not drop out during installation) **Do not drop the goal into the ground sleeves!!**

ATTACHING THE NET (if purchased) :

1. Attach the net to the PVC net attachment extrusion w/ wire ties (Item No. 13) about every 6". Cut the excess of the cable tie off after it has been firmly secured around the net.
2. The net should drape **around** the international stays.
3. Stake the rear and sides net to the ground if desired. (Stakes not included)

MAINTENANCE AND CARE:

1. The net should be taken down and stored indoors during the off-season, or if the goal will not be used for an extended period of time.
2. Tighten all joints and lubricate threads on all parts at least once a year. Use silicone to seal out parts from moisture.

FOR TECHNICAL ASSISTANCE, CALL 1-800-523-5471

**SGR-SP
PERMANENT SOCCER GOAL
PARTS LIST**

Pt.#	Item	Description	Qty.
1	Crossbar	4" dia. x 1/8" wall x 24'-8" lg. 6061T6 custom aluminum extrusion tube w/ 2 welded stay sockets	2
2	Upright	4" dia. x 1/8" wall x 116" long 6061T6 custom aluminum extrusion w/ 1 welded stay socket	4
3	Stay	1.66" o.d. x .110 wall, 6063T6 aluminum tube, 43-1/2" lg. x 16-3/4" h x 15" center	4
4	Ground Sleeve	4.325" square x .100 wall x 30" lg., 6063T6 aluminum tube	4
5	PVC	PVC Net attachment extrusion, 24'-0" lg.	2
6	PVC	PVC Net attachment extrusion, 79" lg.	4
7	Bolt	3/8"-16 x 3/4" hex bolt, s.s.	8
8	Washer	3/8" flat washer, s.s.	24
9	Bolt	3/8"-16 x 1-3/4" hex bolt, s.s.	8
10	Bolt	3/8"-16 x 5/8" hex bolt, s.s.	8
11	Bolt	1/2"-13 x 5" steel hex bolt, plated	4
12	Nut	1/2"-13 steel hex nut, plated	4
13	Cable Tie	8" lg. UV Nylon black cable tie, AP-08-120-0-c	160

FOR TECHNICAL ASSISTANCE, CALL 1-800-523-5471