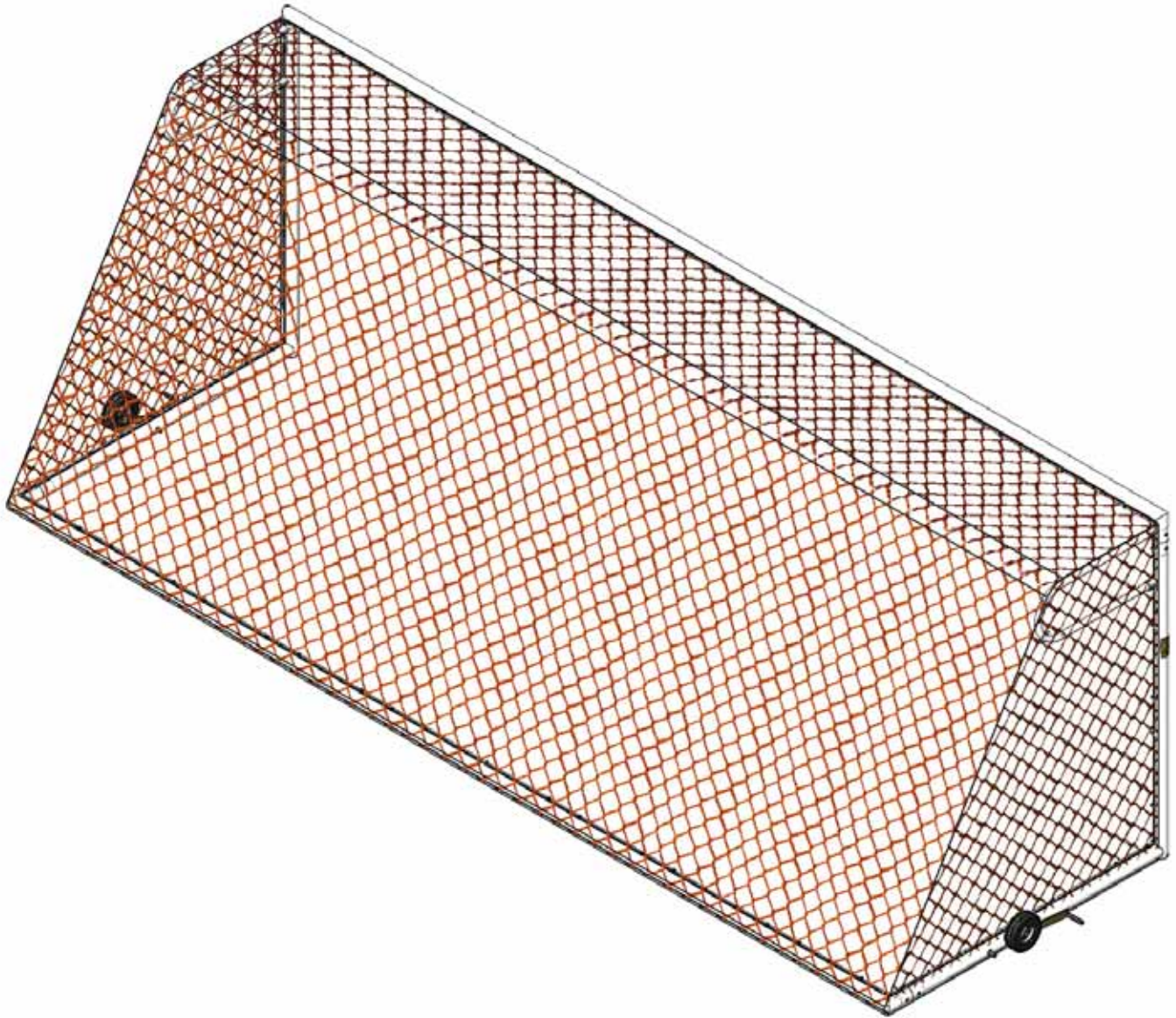


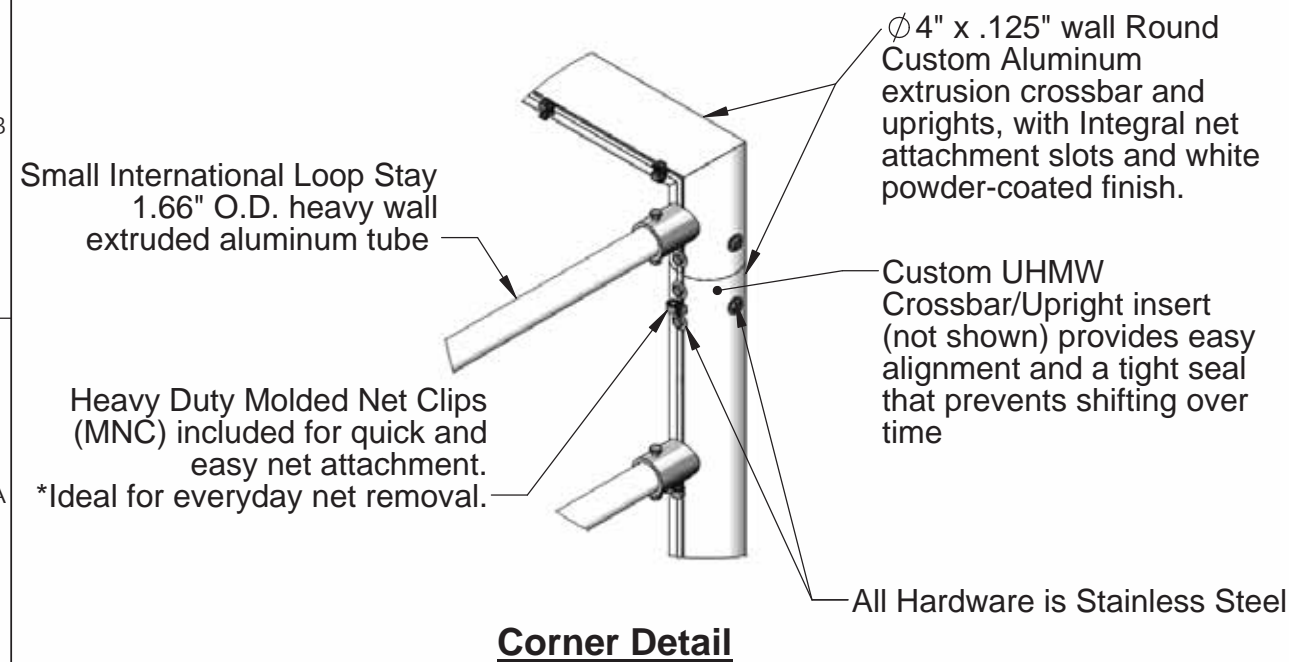
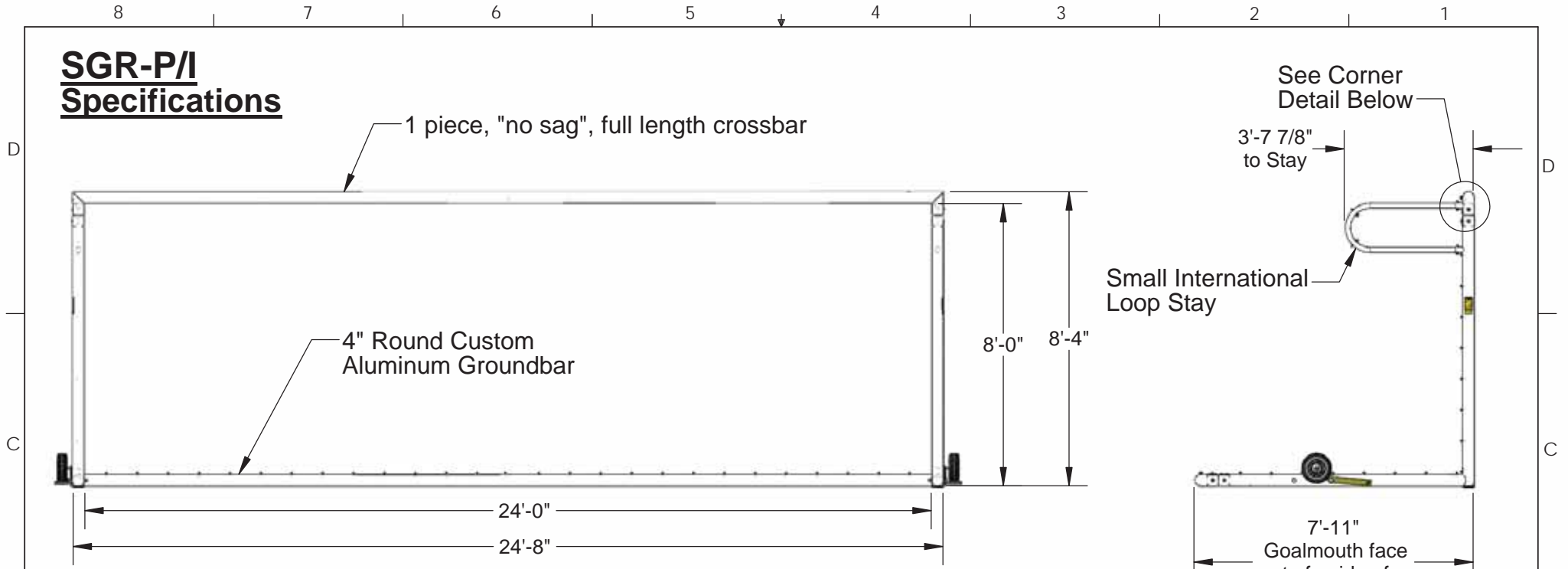
SGR-P/I Portable Soccer Goal



AAE[®]

Aluminum Athletic Equipment
1000 Enterprise Drive, Royersford, PA 19468
Toll Free: (800) 523-5471 Phone: (610) 825-6565
www.aesports.com

SGR-P/I Specifications



Corner Detail

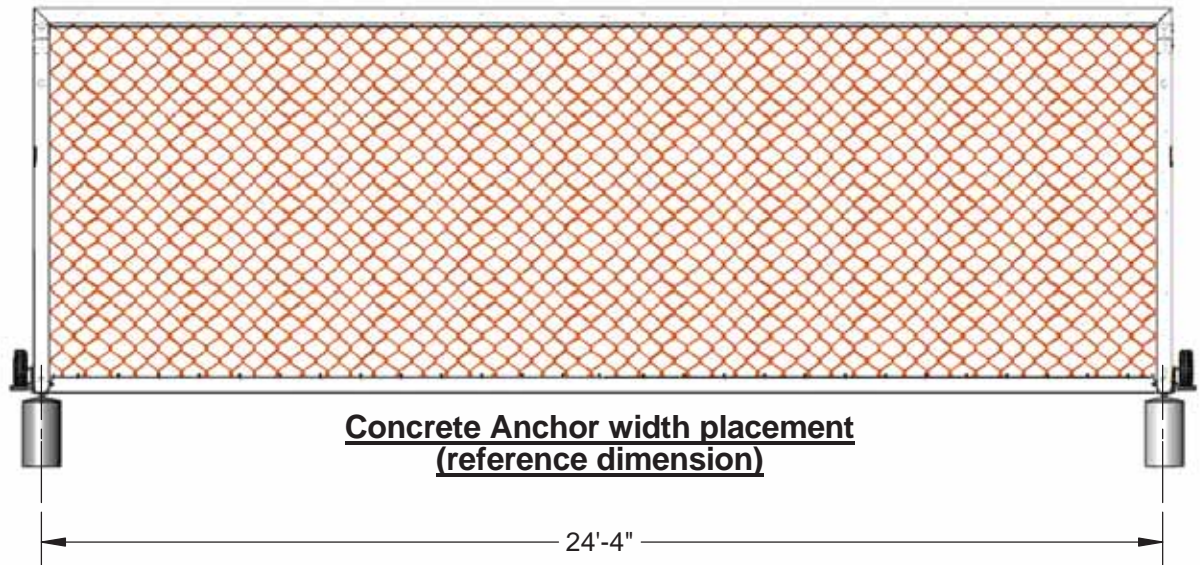
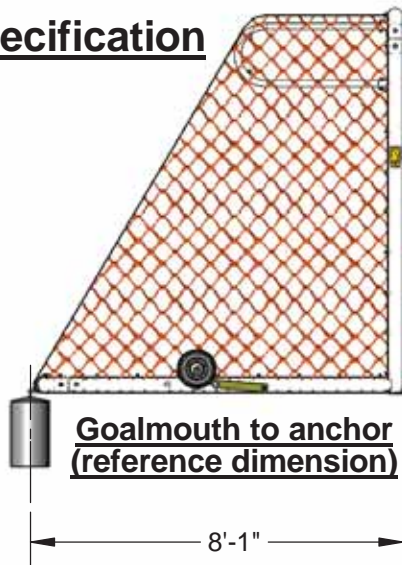
Additional Features

- * Official Size
- * All-Aluminum Goal & Stainless Steel Hardware provides years of maintenance free use.

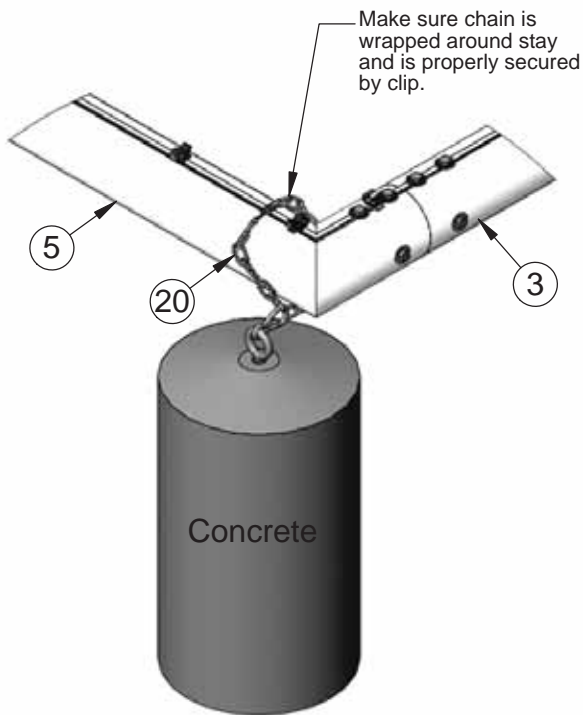

Aluminum Athletic Equipment
 1000 Enterprise Drive, Royersford, PA 19468
 Toll Free: (800) 523-5471 Phone: (610) 825-6565
www.aaesports.com

DESCRIPTION: SGR-P/I - Specifications		
NOTE: EUROPA Portable International Soccer Goal		
MODEL: SGR-P	CATEGORY: CUSTOMER	DATE: 12/4/2015
DWN. BY: NR	CAD FILE: SGR-P_I CAD Packet	DWG. NO. SGR-P_I-C-001

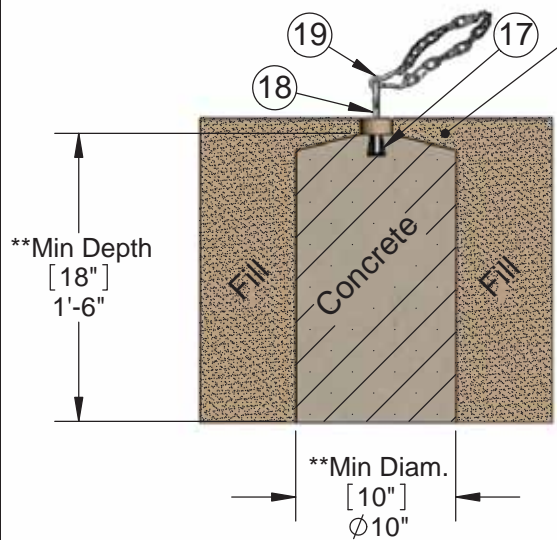
SGR-P/I Anchor Specification



Stay & Anchor Assembly



Concrete Anchor & Tampin Detail



Recommend 1" gap from playing surface to top of concrete anchor. This will allow for anchor to be covered in the event goal is moved.

Note: **Consult Local Codes

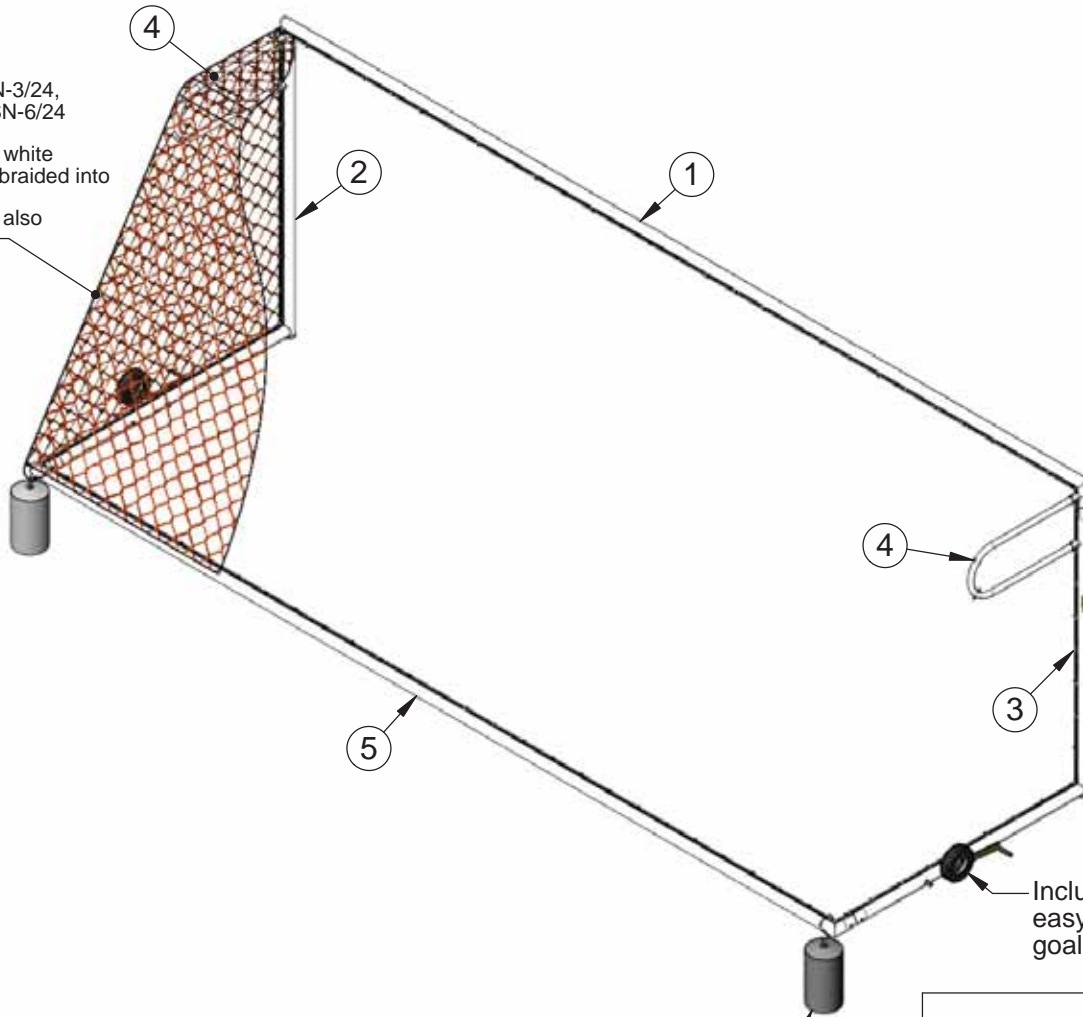


Aluminum Athletic Equipment
1000 Enterprise Drive, Royersford, PA 19468
Toll Free: (800) 523-5471 Phone: (610) 825-6565
www.aaesports.com

DESCRIPTION			
SGR-P/I Concrete Anchor Specification			
NOTE: Concrete Anchor Installation Specification			
MODEL:	SGR-P/I	CATEGORY:	CUSTOMER
DATE:			12/4/2015
DRAWN BY:	NR	CAD FILE:	SGR-P_I CAD Packet
DWG. NO.			SGR-P/I-C-002

SGR-P/I Goal Assembly & Options Diagram

Optional:
Model No. SN-3/24,
SN-4/24, or SN-6/24
Soccer Net
High-visibility white
polyethylene braided into
5" sq. mesh
- other colors also
available



Stay & Concrete Anchor
Assembly

Included: Pivot Bar Wheels allow for
easy wheel engagement and moving of
goal



Aluminum Athletic Equipment
1000 Enterprise Drive, Royersford, PA 19468
Toll Free: (800) 523-5471 Phone: (610) 825-6565
www.aaesports.com

DESCRIPTION			
SGR-P/I Assembly & Options			
NOTE: Goal Assembly w/ Options Diagram			
MODEL:	SGR-P/I	CATEGORY:	CUSTOMER
		DATE:	12/4/2015
DRAWN BY:	NR	CAD FILE:	SGR-P_I CAD Packet
		DWG. NO.:	SGR-P/I-C-002

SGR-P/I Parts List

SGR-P/I PORTABLE SOCCER GOAL PARTS LIST

Part List #	Item	Description	Qty.
1	Crossbar	24' Goal Mouth, Int. Crossbar Assembly	1
2	Upright (Right)	SGR Series, Int. Goal Post, Right Side, 92" Lg.	1
3	Upright (Left)	SGR Series, Int. Goal Post, Left Side, 92" Lg.	1
4	Stay	SGR Series, Int. Small Loop Stay, 8' Offset	2
5	Groundbar	SGR Portable International Groundbar, 4" Round	1
6	MNC	Molded Net Clip	94
7	Plastic Cap	7/8" Dia. Plastic Cap	6
8	Insert	SGR Series, UHMW, Goal Post Connector	4
9	Washer	3/8" Flat Washer, SS	24
10	Bolt	3/8"-16 x 1-3/4" Hex Bolt, SS	8
11	Bolt	3/8"-16 x 2-1/2" Hex Bolt, SS	16
12	Bolt	3/8"-16 x 1/2" Hex Bolt, SS	8
13	Eyebolt	5/16"-16 x 2" Eyebolt, Plated	4
14	Washer	5/16" Flat Washer, SS	8
15	Ny-Lock Hex Nut	5/16"-16 Nylon Insert Lock Nut, SS	4
16	Cap Nut	5/16"-16 Cap Nut, SS	4
17	Tampin	3/8"-16 Concrete Tampin, Galvanized	2
18	Eyebolt	3/8"-16 x 2" Eyebolt, Plated	2
19	Snap	1/4" Pear Clip Snap, Plated	2
20	Chain Link	1/8" x 12" Lg. Chain, Galvanized	2
21	Bolt	3/4"-10 x 6" Hex Bolt, SS	2
22	Bolt	3/4"-10 x 6" Hex Bolt, SS w/pin	2
23	Washer	3/4" Flat Washer, SS	8
24	Spacer	3/4" Spacer, Nylon	4
25	Ny-Lock Hex Nut	3/4"-10 Nylon Insert Lock Nut, SS	4
26	Wheel	10" Pivot Wheels Assembly, Left Side	1
27	Wheel	10" Pivot Wheels Assembly, Right Side	1

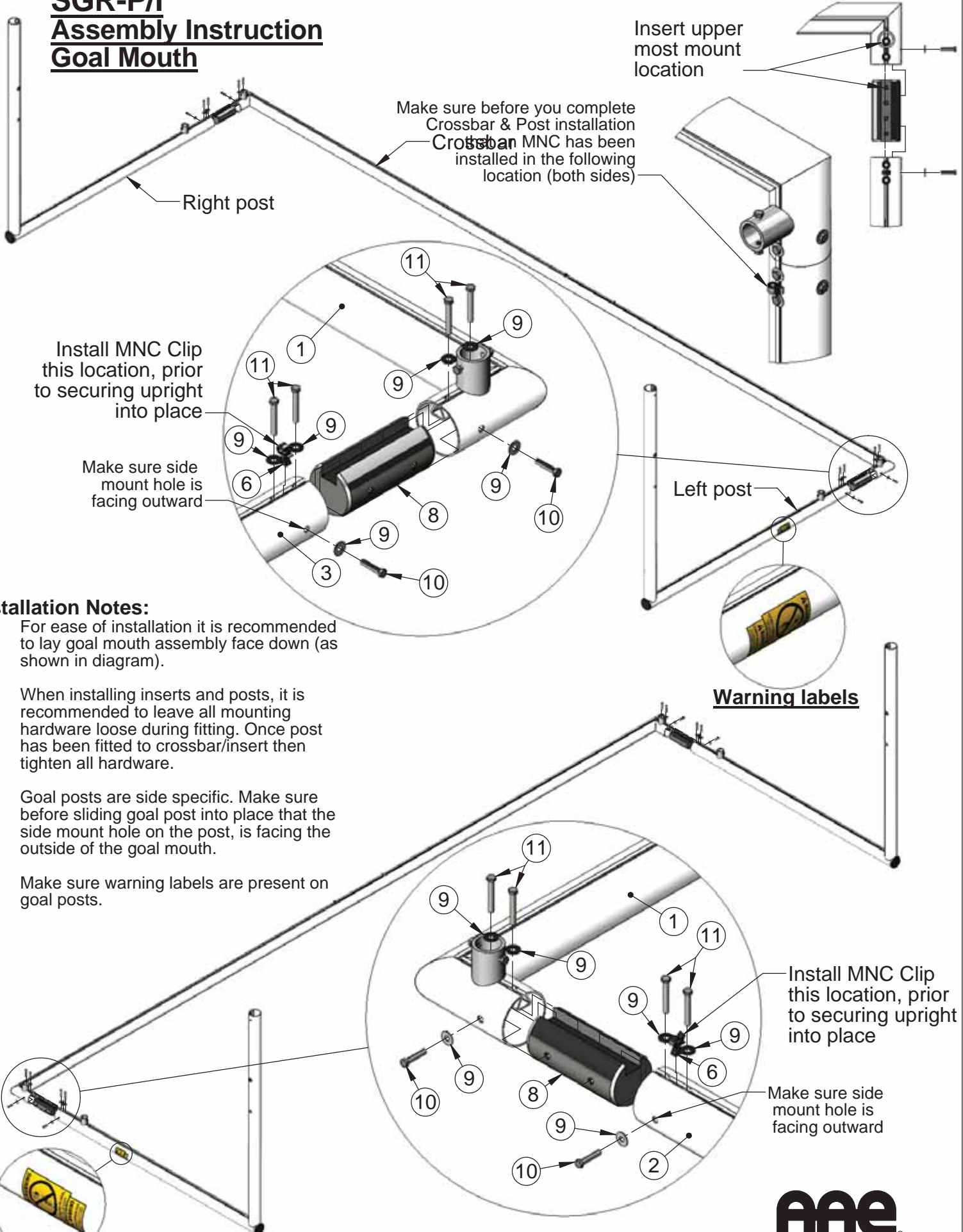
OPTIONAL ACCESSORIES

28	Net	Soccer Net (3mm - 8' x 24'), Polyethylene Braided, 5" Sq. Mesh	1
----	-----	--	---

**QUANTITIES LISTED ARE PER GOAL ASSEMBLY*



SGR-P/I Assembly Instruction Goal Mouth



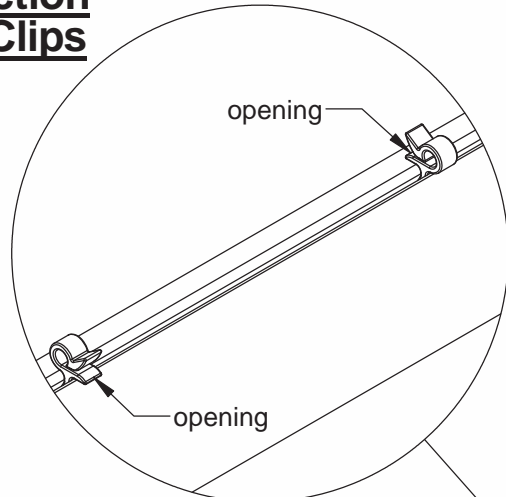
Installation Notes:

1. For ease of installation it is recommended to lay goal mouth assembly face down (as shown in diagram).
2. When installing inserts and posts, it is recommended to leave all mounting hardware loose during fitting. Once post has been fitted to crossbar/insert then tighten all hardware.
3. Goal posts are side specific. Make sure before sliding goal post into place that the side mount hole on the post, is facing the outside of the goal mouth.
4. Make sure warning labels are present on goal posts.

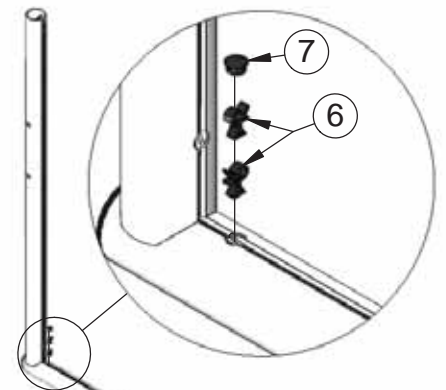
Warning Labels



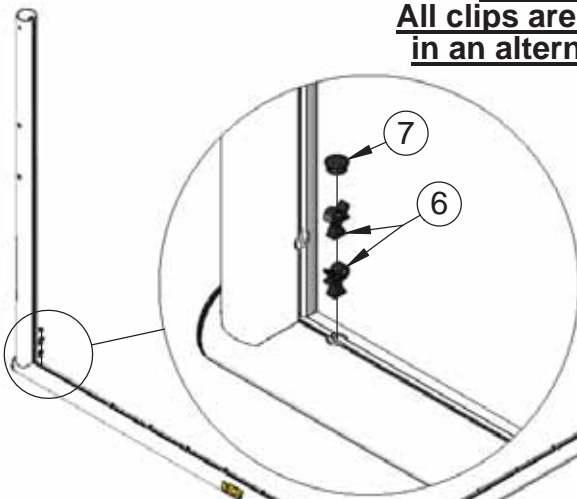
SGR-P/I Assembly Instruction Goal Mouth Net Clips



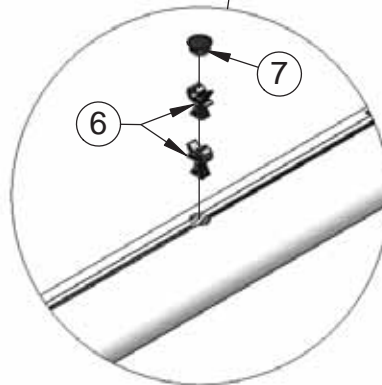
Important Note:
All clips are to be installed
in an alternating pattern.



Right Goal Post
9 clips, spacing is
approximately 10"



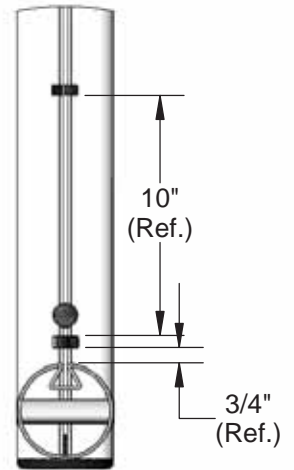
Left Goal Post
9 clips, spacing is
approximately 10"



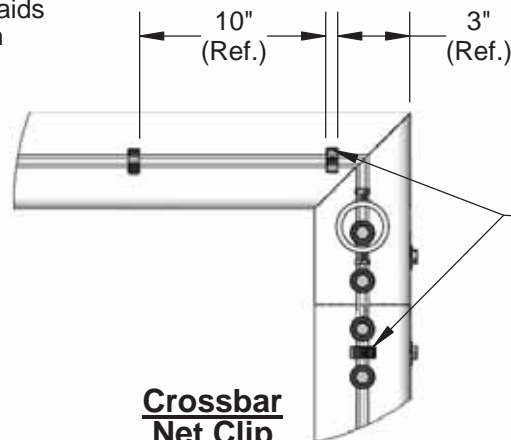
Crossbar
29 clips, spacing
is approximately
10"

Installation Notes:

1. For ease of installation it is recommended to install crossbar and goal post net clips while the assembly is still laid face down on surface.
2. When installing clips make sure to install in them in an alternating pattern (this aids in prevention of the net releasing from clips).
3. After all clips have been installed into place, make sure to cover hole in clip channel with the cap provided.



**Goal Post
Net Clip**
Reference Dimensions



**Crossbar
Net Clip**
Reference Dimension

Corner Clips are to be
placed as shown. Make
sure opposite corner is
placed similarly.



Aluminum Athletic Equipment
1000 Enterprise Drive, Royersford, PA 19468
Toll Free: (800) 523-5471 Phone: (610) 825-6565
www.aesports.com

SGR-P/I

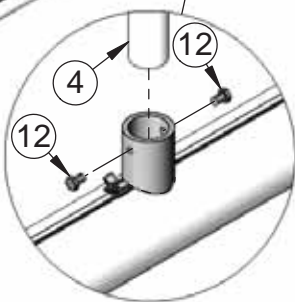
Assembly Instruction

Goal Stay

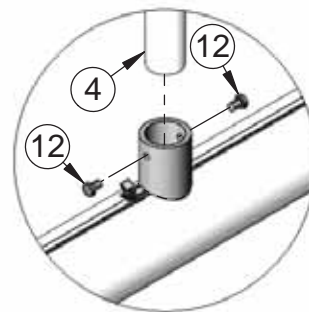
After installing small loop stay, it is recommended to tether the net to the eyelets. (both sides)

Right Side Upper Receptacle / Stay

Left Side Upper Receptacle / Stay



Right Side Lower Receptacle / Stay

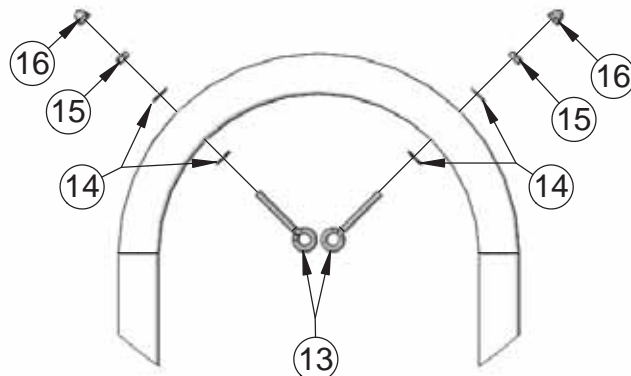


Left Side Lower Receptacle / Stay

It is recommended at this point to clip the net into the Crossbar and Posts

Installation Notes:

1. For ease of installation it is recommended to install stays while the assembly is still laid face down on surface.
2. When installing stays it is recommended to leave all mounting hardware loose during fitting. Once stay has been fitted and fully seated into both receptacles then make sure to tighten all hardware.
3. **(Optional)** You may at this point clip in the top and sides of the net into place. you may also tie the net tethers to the eyebolts at this point. The remaining assembly steps will require the assembly to be stood upright.

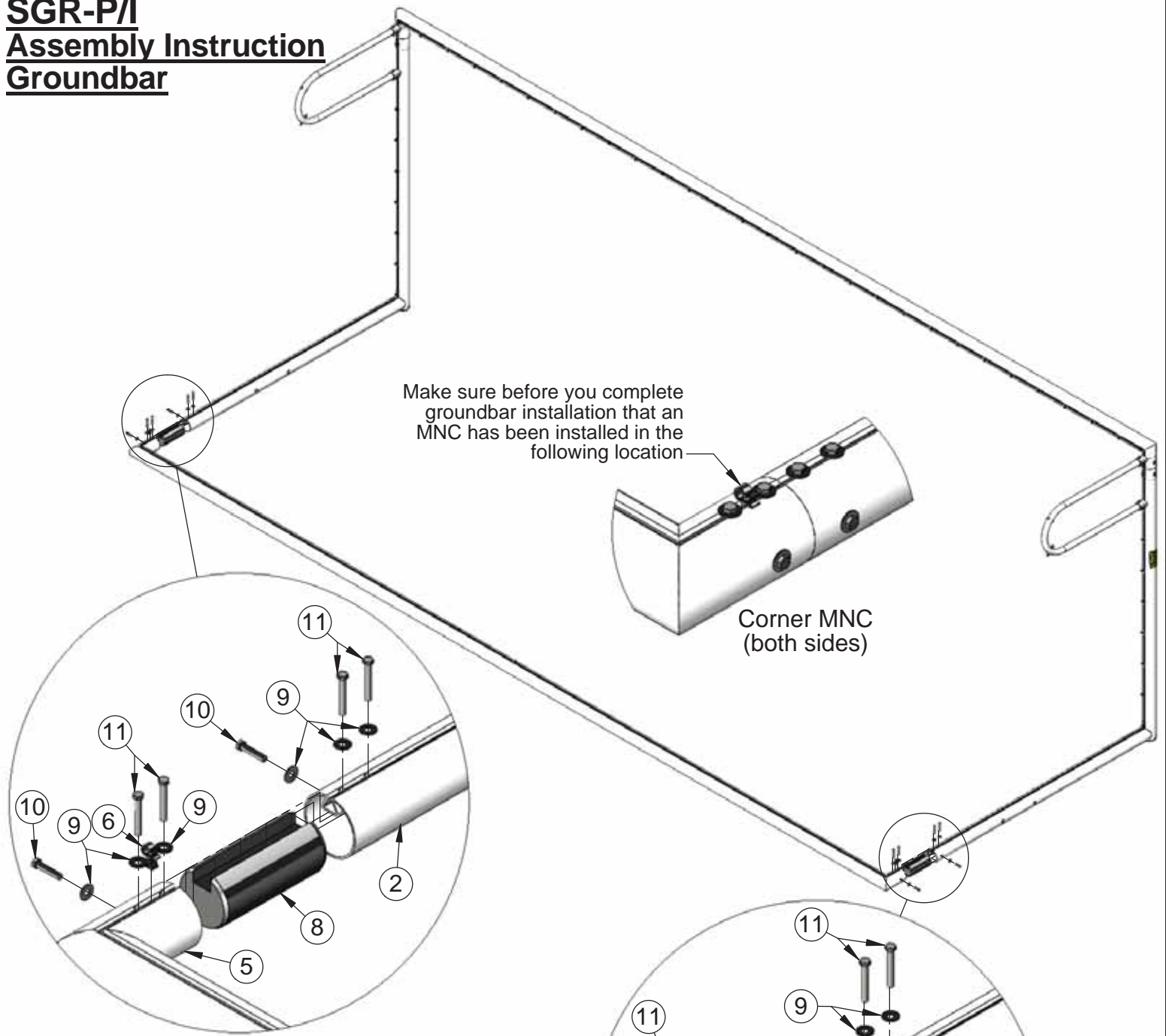


Stay Eyebolt Detail
(both sides, hardware is pre-installed)

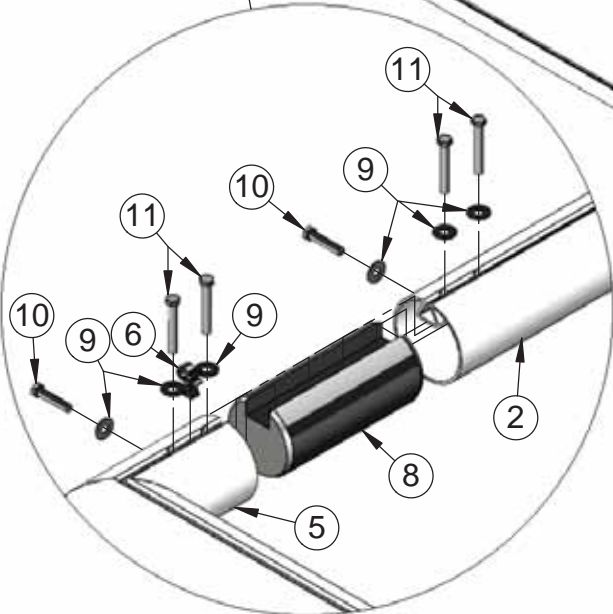
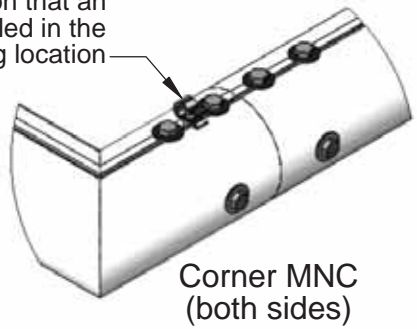


Aluminum Athletic Equipment
1000 Enterprise Drive, Royersford, PA 19468
Toll Free: (800) 523-5471 Phone: (610) 825-6565
www.aaesports.com

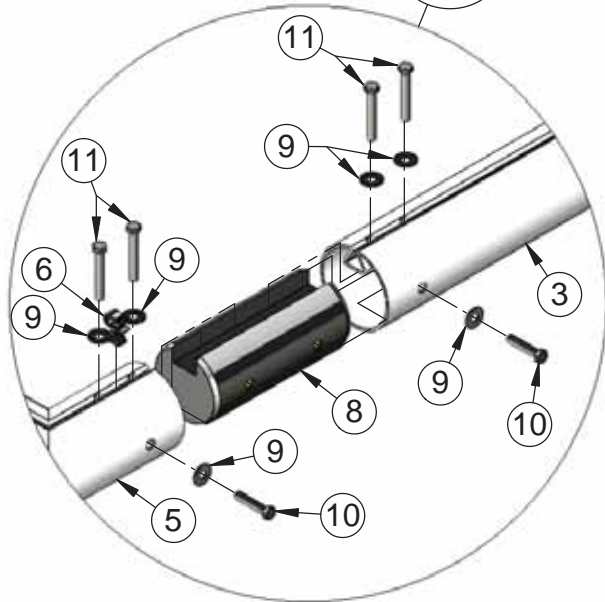
SGR-P/I Assembly Instruction Groundbar



Make sure before you complete groundbar installation that an MNC has been installed in the following location



Groundbar to right stay

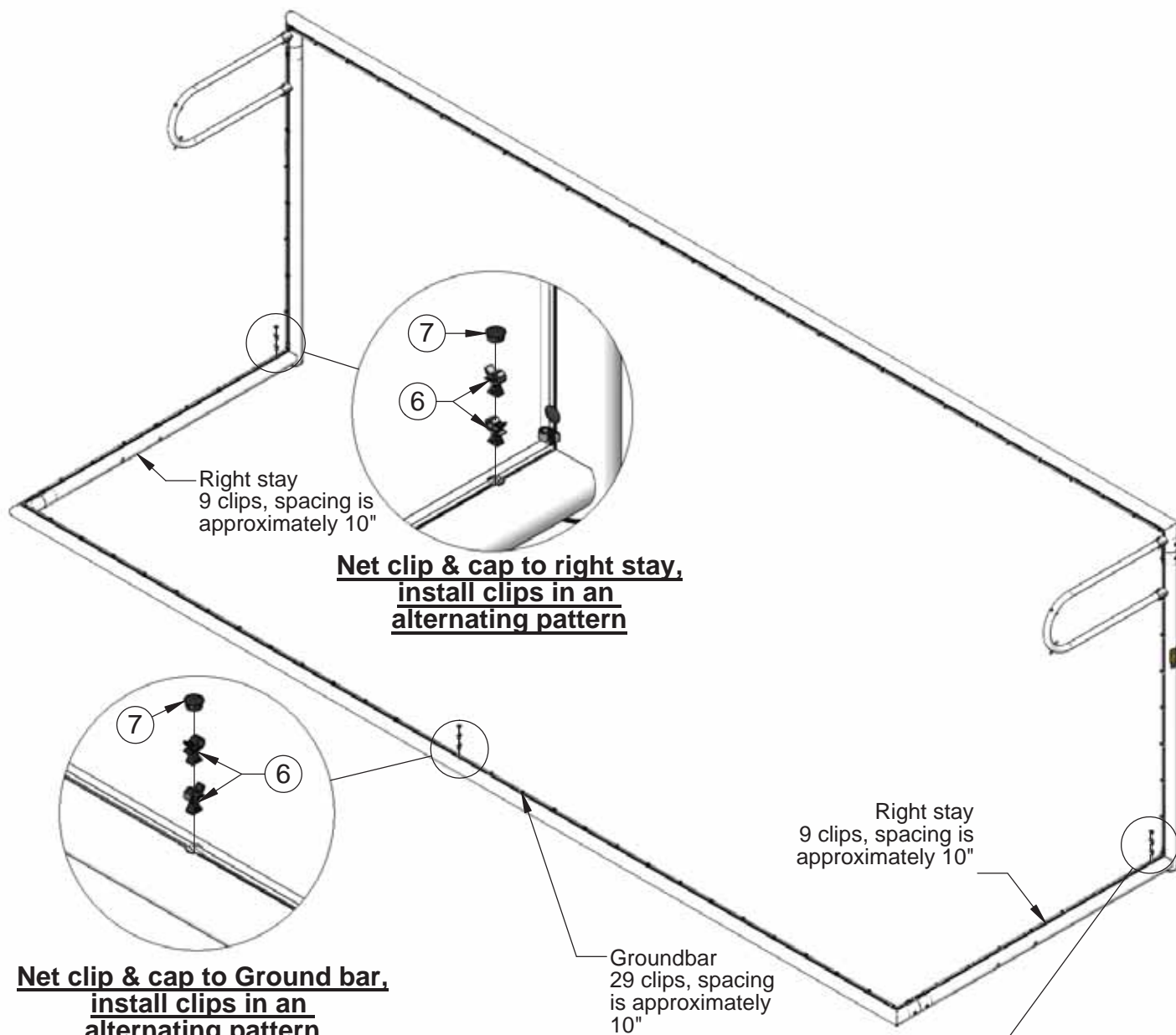


Groundbar to left stay

Installation Notes:

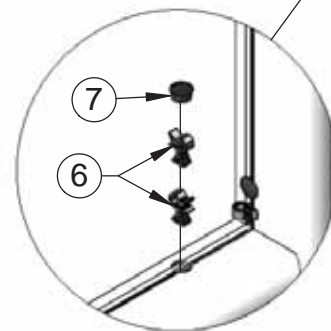
1. For ease of installation, it is recommended to install Groundbar with the goal assembly in upright position.
2. Make sure that ground bar is orientated so that clip channel is facing upwards prior to installing
3. When installing groundbar, inserts and posts, it is recommended to leave all mounting hardware loose during fitting. Once post has been fitted to groundbar/insert then tighten all hardware.

SGR-P Assembly Instruction Groundbar & Stay Net Clips



Installation Notes:

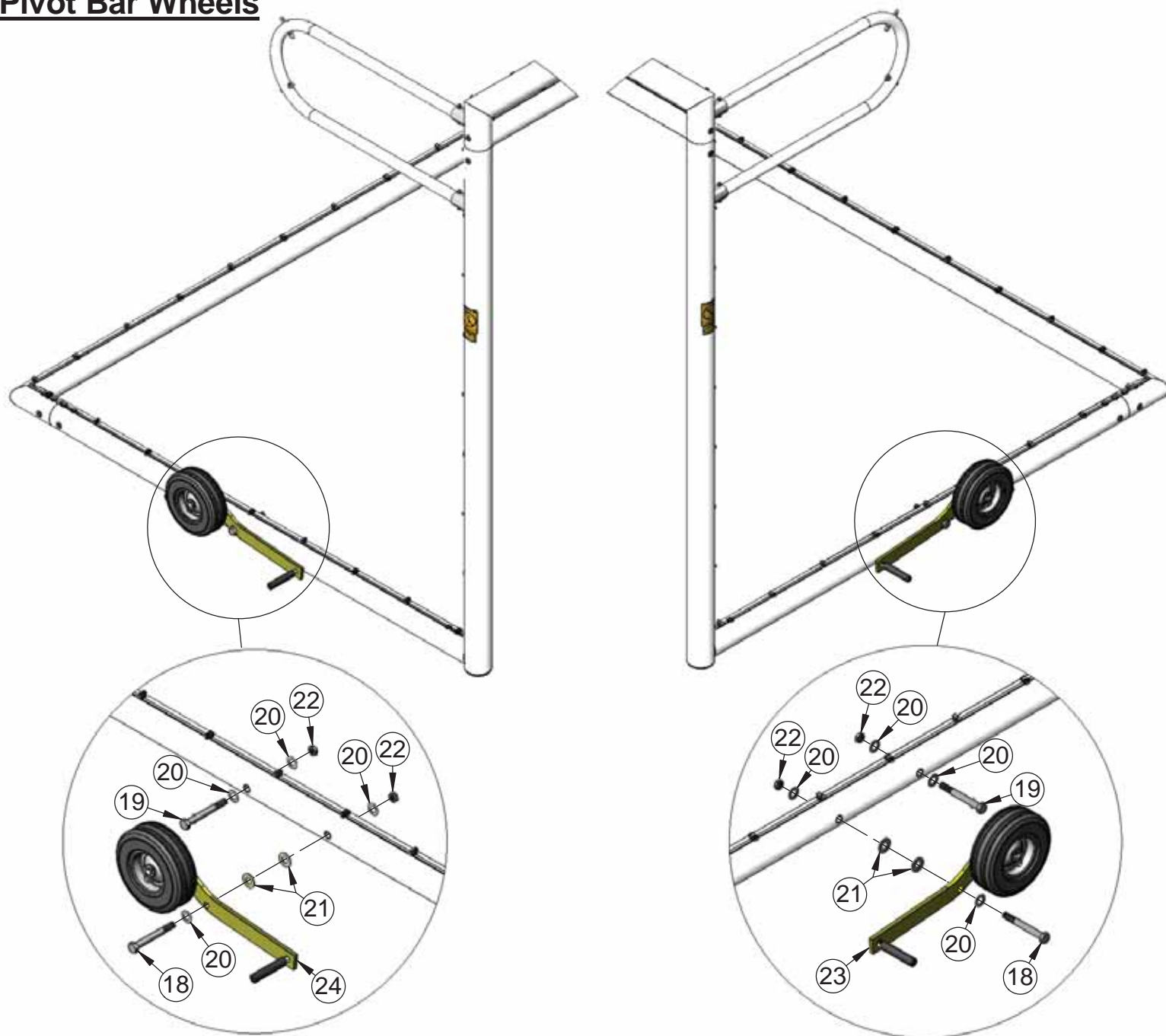
1. For ease of installation it is recommended to install the stay and ground bar net clips with the assembly in the upright position.
2. When installing clips make sure to install them in an alternating pattern (this aids in prevention of the net releasing from clips).
3. After all clips have been installed into place, make sure to cover hole in clip channel with the cap provided.
4. **Complete goal assembly by securing remainder of the net with stay & groundbar clips.**



SGR-P/I

Assembly Instruction

Pivot Bar Wheels



Pivot Wheel Assembly
(left side)

Pivot Wheel Assembly
(right side)

Installation Notes:

1. For ease of installation, it is recommended to install Pivot Wheel Assembly with the goal assembly in upright position.
2. Make sure that pivot wheel assembly is orientated as shown in the image, handles towards the goal mouth, prior to installing
3. After bolt & washers have been installed, place a thin coat of anti-sieze lubricant, on end of bolt prior to installing hex nut.
4. **Complete goal assembly by securing remainder of the net with post & groundbar clips.**