

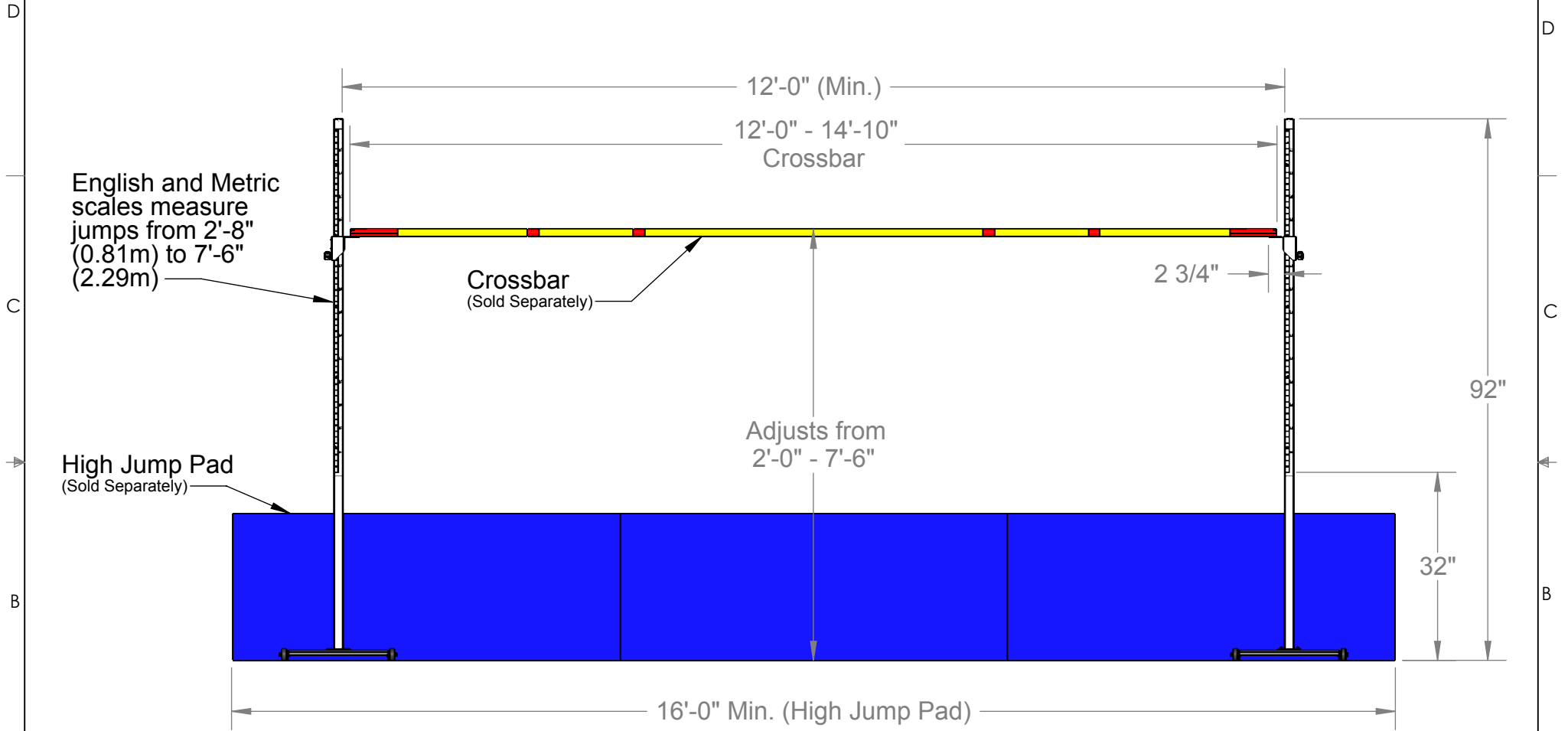
# RJS

## Regulation High Jump Standards



**Aluminum Athletic Equipment**  
1000 Enterprise Drive, Royersford, PA 19468  
Toll Free: (800) 523-5471 Fax: (610) 825-2378  
[www.AAEsports.com](http://www.AAEsports.com)

# RJS - Regulation High Jump Standards Specifications



English and Metric scales measure jumps from 2'-8" (0.81m) to 7'-6" (2.29m)

Crossbar (Sold Separately)

High Jump Pad (Sold Separately)

Adjusts from 2'-0" - 7'-6"

2 3/4"

92"

32"

16'-0" Min. (High Jump Pad)

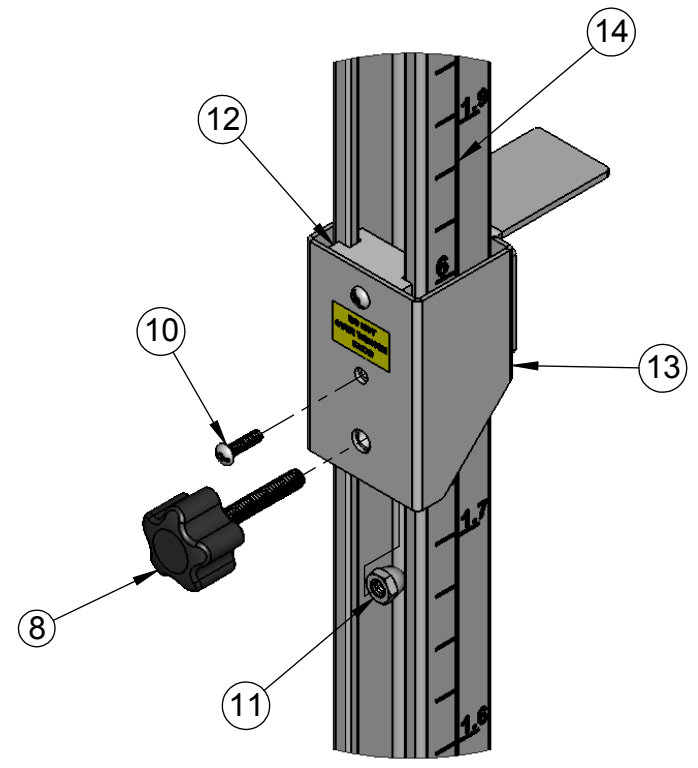
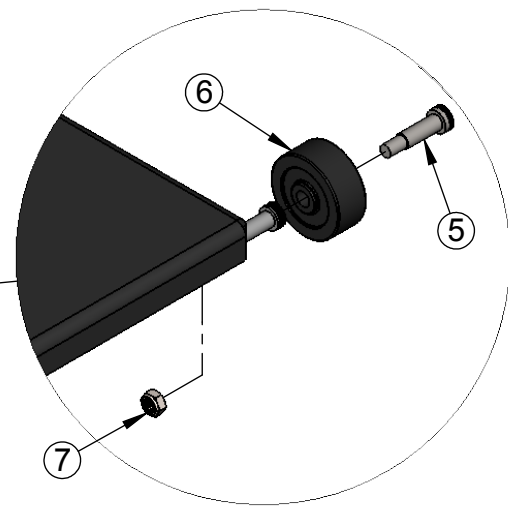
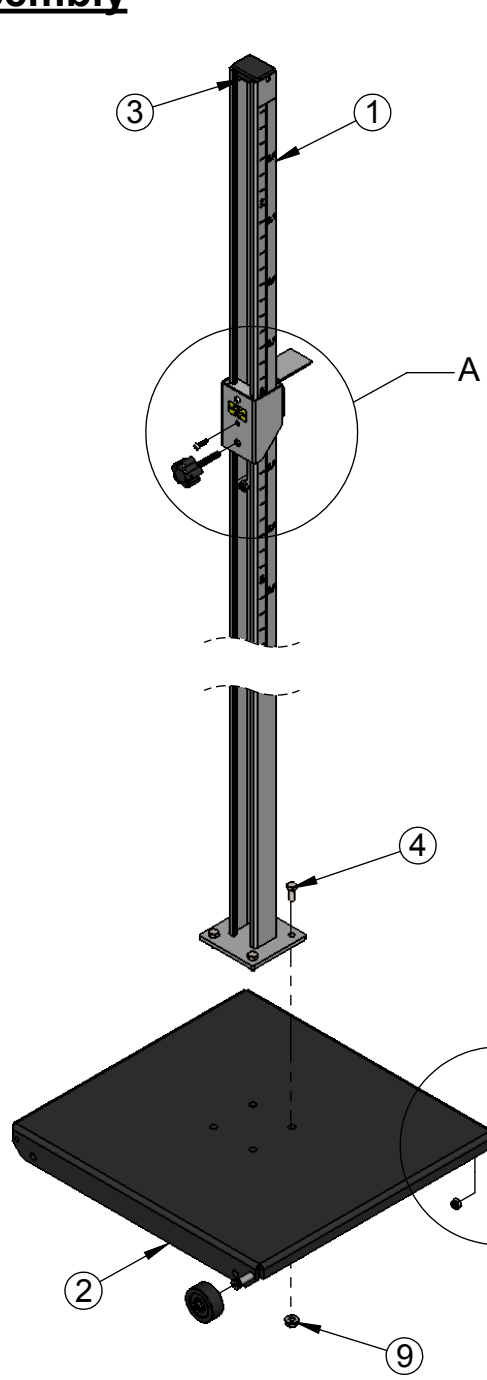


**Aluminum Athletic Equipment**  
 1000 Enterprise Drive, Royersford, PA 19468  
 Toll Free: (800) 523-5471 Fax: (610) 825-2378  
 www.AAEsports.com


DESCRIPTION:			<b>RJS - Specifications</b>		
NOTE:			Regulation High Jump Standards		
MODEL:	RJS	CATEGORY:	CUSTOMER	DATE:	01/31/12
DWN. BY:	ARP	CAD FILE:	RJS CAD Packet	DWG. NO.:	RJS-C-001

# RJS - Regulation High Jump Standards Assembly

D  
C  
B  
A



DETAIL A  
SCALE 1 : 3

 <b>Aluminum Athletic Equipment</b> 1000 Enterprise Drive, Royersford, PA 19468 Toll Free: (800) 523-5471 Fax: (610) 825-2378 <a href="http://www.AAEsports.com">www.AAEsports.com</a>		
DESCRIPTION:		
<b>RJS - Assembly</b>		
NOTE:		
Regulation High Jump Standards		
MODEL:	CATEGORY:	DATE:
RJS	<b>CUSTOMER</b>	01/31/12
DWN. BY:	CAD FILE:	DWG. NO.:
ARP	RJS CAD Packet	RJS-C-002