

RHG-NFL-35 Rollaway Professional "H" Goal Specifications

****MANDATORY****
Model No.: BW-100
100lb. Groundbar Weight

****OPTIONAL****
Model No.: RHG-HMK
Heavy-duty steel Hitch Mover
Kit, vinyl coated black

4" dia. x .226" wall
Standard Mill Finish
Aluminum Back Groundbar
& Side Groundbars

4" dia. x .125 wall
Standard Mill Finish
Aluminum Uprights
and Crossbar

****OPTIONAL****
Model No.: GP4R
6" Thick Pad
Vinyl Encased
w/ velcro flap

Optional decal for
Model No: GP4R
at extra cost

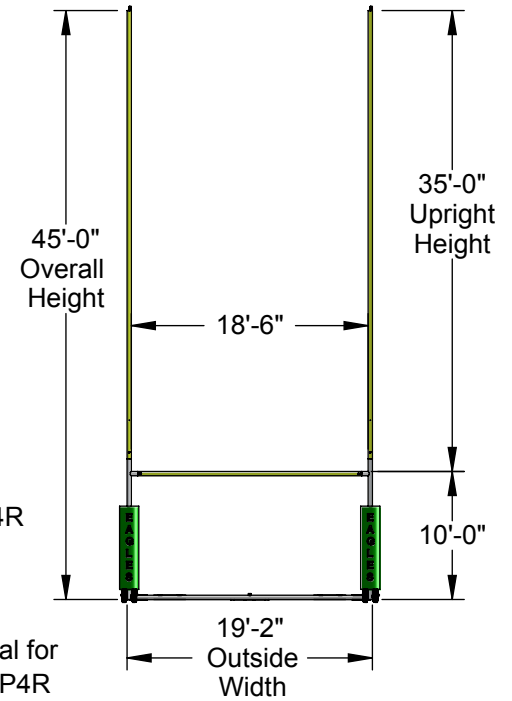
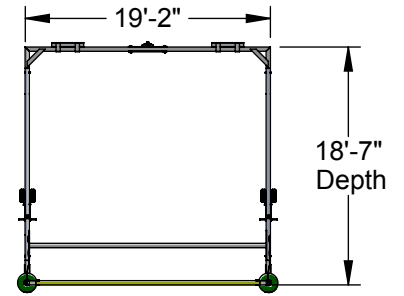
Optional Features

- Optional Yellow Powder coating (Specify Model No. RHG-NFL/Y)
- Mandatory 100lb. Groundbar Weight (Specify Model No. BW-100)
Unless you have a way of weighting and securing RHG
- Optional Goal Post Pads, Pair (Specify Color) (Specify Model No. GP4R)

Reinforced
Corners

Removable Flip-Wheels
and Double - 12" dia. Pneumatic
Tires with/ 3/4" dia. Stainless
Steel Axle (both included in NFL
Models only)

4" x 48"
High Visibility
Red Streamers



AAE

Aluminum Athletic Equipment
1000 Enterprise Drive, Royersford, PA 19468
Toll Free: (800) 523-5471 Fax: (610) 825-2378
www.AAEsports.com

DESCRIPTION: RHG-NFL-35 - Rollaway Professional "H" Goal		
NOTE: 18'-6" Between 35' Uprights		
MODEL: RHG-NFL-35	CATEGORY: CUSTOMER	DATE: 05/14/14
DWN. BY: CED	CAD FILE: RHG-NFL-35 - Packet	DWG. NO. RHG-NFL-35-C-001



ITEM NO.	PART NUMBER	DESCRIPTION	QTY.
1	4" Crossbar		1
2	4" Post	Bottom Upright	1
3	4" Post	Bottom Upright	1
4	Upright (RHG)		1
5	Upright (RHG)		1
6	4 x 226 wall Post	Side Groundbar	1
7	Rear Ground Bar		1
8	Groundbar Crossbar		1



Aluminum Athletic Equipment
 1000 Enterprise Drive, Royersford, PA 19468
 Toll Free: (800) 523-5471 Fax: (610) 825-2378
www.AAEsports.com

DESCRIPTION: **RHG-NFL-35 Assembly**

NOTE: Any Notes

MODEL:	RHG-NFL-35	CATEGORY:	CUSTOMER	DATE:	08/22/2018
--------	------------	-----------	-----------------	-------	------------

DWN. BY:	CEC	CAD FILE:	RHG-NFL-35 Packet	DWG. NO.:	RHG-NFL-35-C-002
----------	-----	-----------	-------------------	-----------	------------------