

RHG-NCAA

Rollaway NCAA "H" Goal Specifications

4" dia. x .125 wall
Standard Mill Finish
Aluminum Uprights
and Crossbar

Welded Endcaps

****OPTIONAL****

Model No.: GW-95

95lb. Groundbar Weight

****OPTIONAL****

Model No.: RHG-HMK

Heavy-duty steel Hitch Mover

Kit, vinyl coated black

4" dia. x .226" wall
Standard Mill Finish
Aluminum Back Groundbar
& Side Groundbars

Reinforced
Corners

****OPTIONAL****

Dual - 12" dia. Pneumatic
Tires Flip to Engage Wheels

****OPTIONAL****

Model No. GP4R

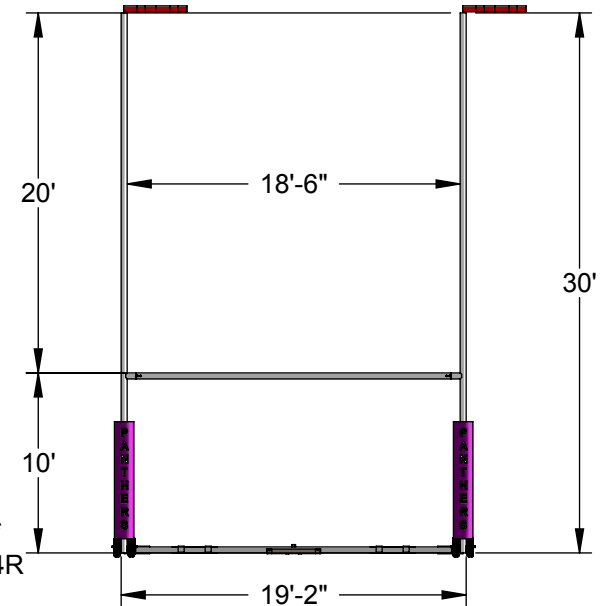
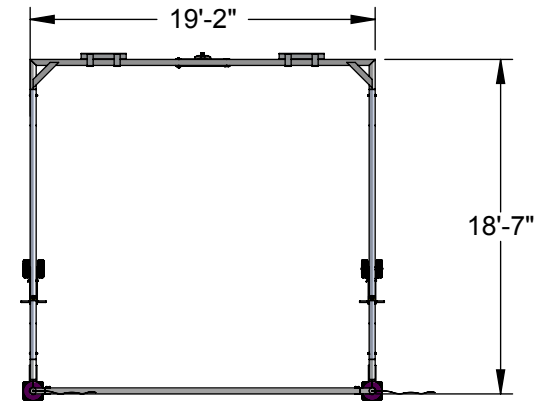
6" Thick Pad

Vinyl Encased

w/ velcro flap

****INCLUDED****

Double - 12" dia. Pneumatic
Tires w/ 3/4" dia. Stainless
Steel Axle.



Optional Features

- Optional Yellow or White Powdercoat Finish
(Specify Model No. RHG-NCAA/Y or RHG-NCAA/W)

- Optional 95lb. Groundbar Weight
(Specify Model No. GW-95)



Aluminum Athletic Equipment
1000 Enterprise Drive, Royersford, PA 19468
Toll Free: (800) 523-5471 Fax: (610) 825-2378
www.AAEsports.com

DESCRIPTION:		
RHG-NCAA - Rollaway NCAA "H" Goal		
NOTE: Specifications		
MODEL:	CATEGORY:	DATE:
RHG-NCAA	CUSTOMER	08/16/10
DWN. BY:	CAD FILE:	DWG. NO.:
TAD	RHG-NCAA Packet	RHG-NCAA-C-001