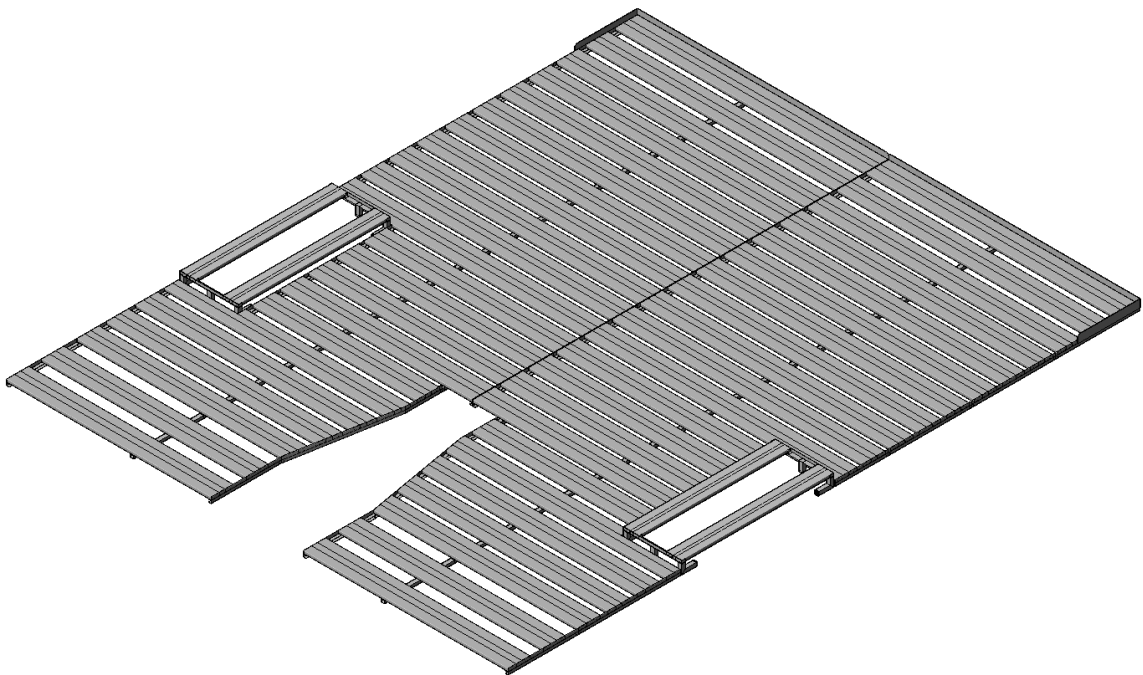


# **PVP216-27**

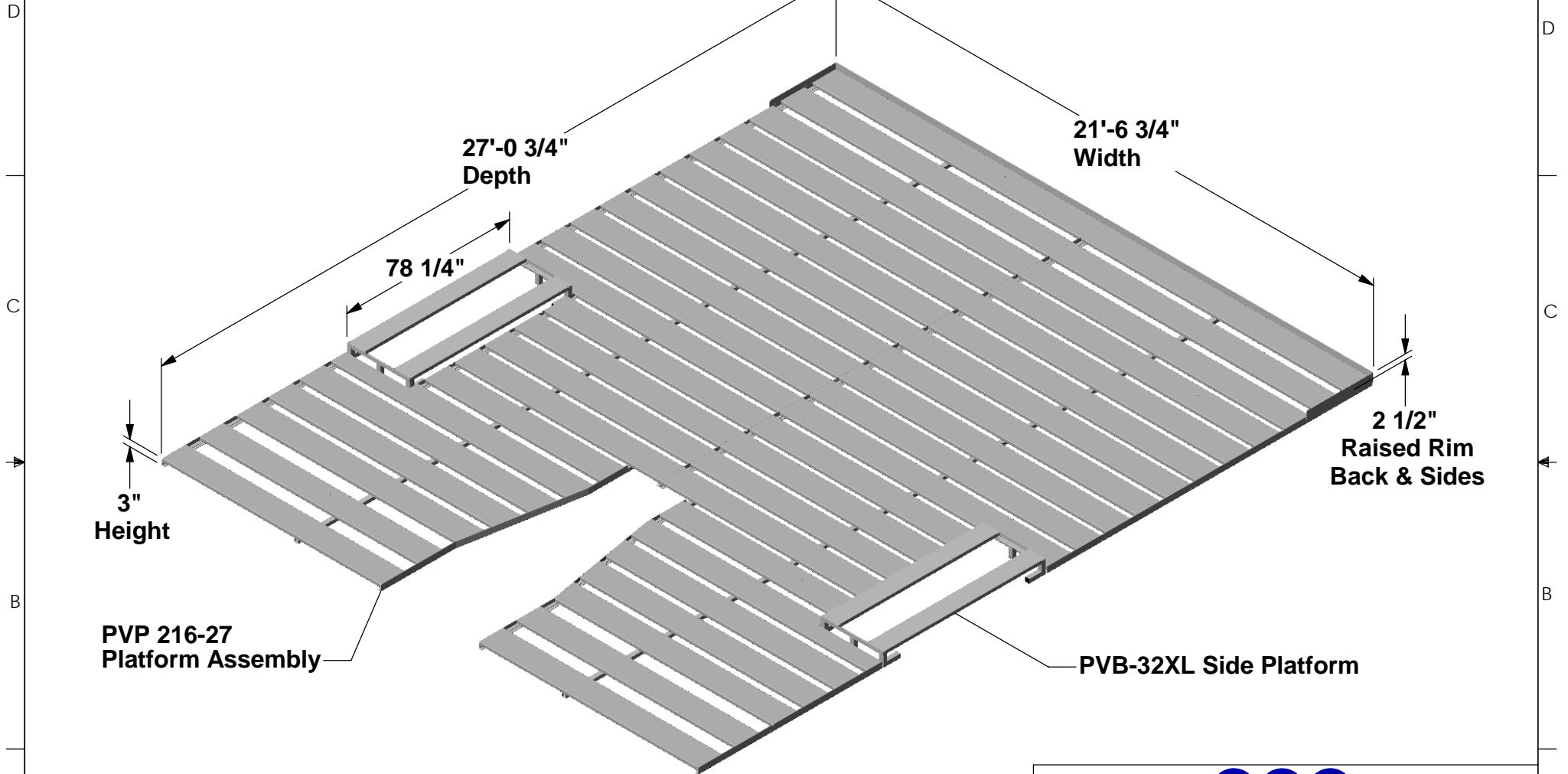
## **POLE VAULT LANDING PAD PLATFORM**



**Specification & Installation  
Packet**



**PVP 216-27**  
**Specifications**



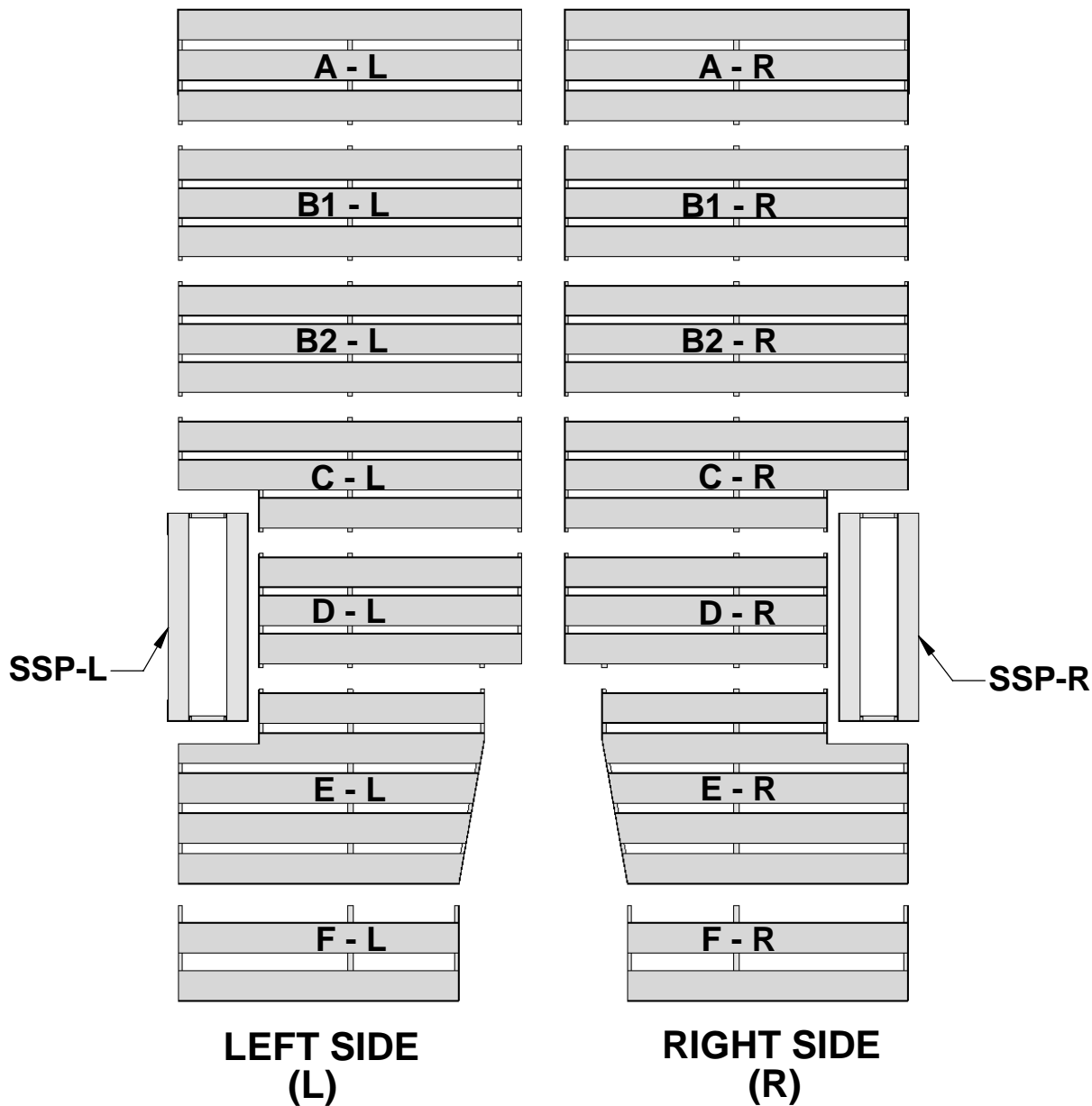
**100% Aluminum Platform with Stainless Steel Hardware**

 Aluminum Athletic Equipment 1000 Enterprise Drive, Royersford, PA 19468 Toll Free: (800) 523-5471 Fax: (610) 825-2378 <a href="http://www.aaesports.com">www.aaesports.com</a>		
DESCRIPTION		
<b>PVP 216-27 - Platform Specifications</b>		
NOTE: All Custom Platforms Available		
MODEL:	CATEGORY:	DATE:
PVP-216-27	<b>CUSTOMER</b>	11/18/02
DRAWN BY:	CAD FILE:	DWG. NO.
TAD	PVP 216-27 Specifications	PVP216-27-C-001

# PVP 216-27 & SSP

## Layout & Weight Sheet

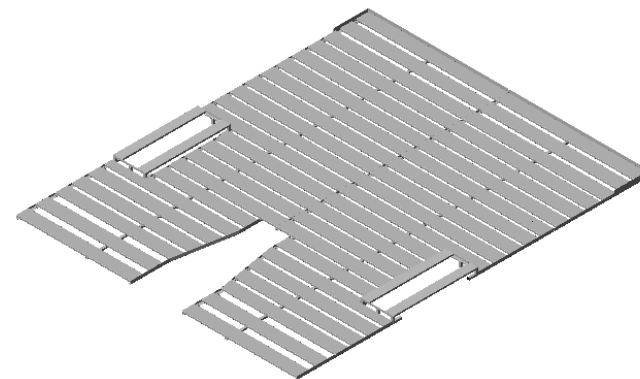
### TOP VIEW



### Platform Weight Calculations

- A-L & A-R = 91 lbs. ea.
- B1-L/R & B2-L/R = 75 lbs. ea.
- C-L & C-R = 70 lbs. ea.
- D-L & D-R = 61 lbs. ea.
- E-L & E-R = 104 lbs. ea.
- F-L & F-R = 45 lbs. ea.
- SSP-L & SSP-R = 42 lbs. ea.

**Total Weight = 1126 lbs.**



Aluminum Athletic Equipment  
1000 Enterprise Drive, Royersford, PA 19468  
Toll Free: (800) 523-5471 Fax: (610) 825-2378  
www.aaesports.com

DESCRIPTION		
PVP 216-27 - Layout & Weight Sheet		
NOTE: 27' Deep - Pole Vault Platform Assembly		
MODEL: PVP 216-27	CATEGORY: CUSTOMER	DATE: 11/18/02
DRAWN BY: TAD	CAD FILE: PVP 216-27 Layout & Weight	DWG. NO. PVP216-27-C-002

# PVP 216-27

## Detailed Assembly

### HARDWARE USED:



**Quantity= 32**  
1/4"-20 Stainless Steel  
Wiz-Loc Nuts



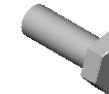
**Quantity= 32**  
1/4"-20 x 1" Stainless Steel  
Hex Bolts



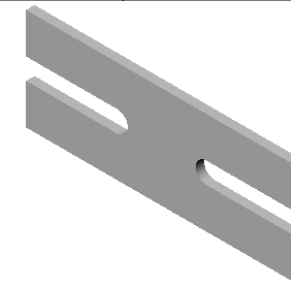
**Quantity= 8**  
3/8"-16 Stainless Steel  
Wiz-Loc Nuts



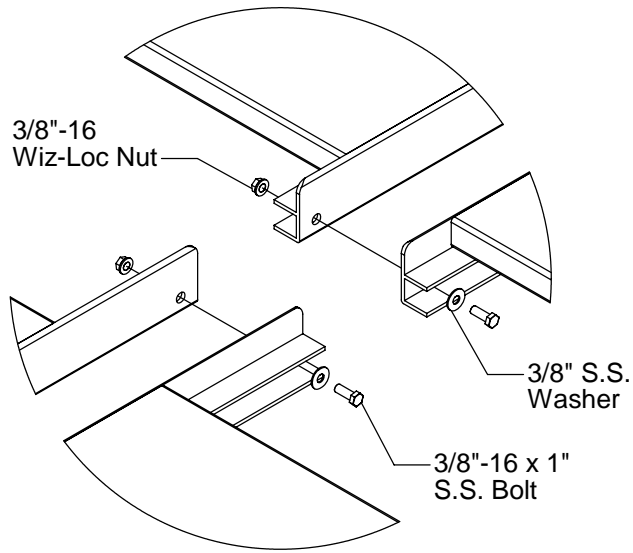
**Quantity= 8**  
3/8 Stainless Steel  
Washer



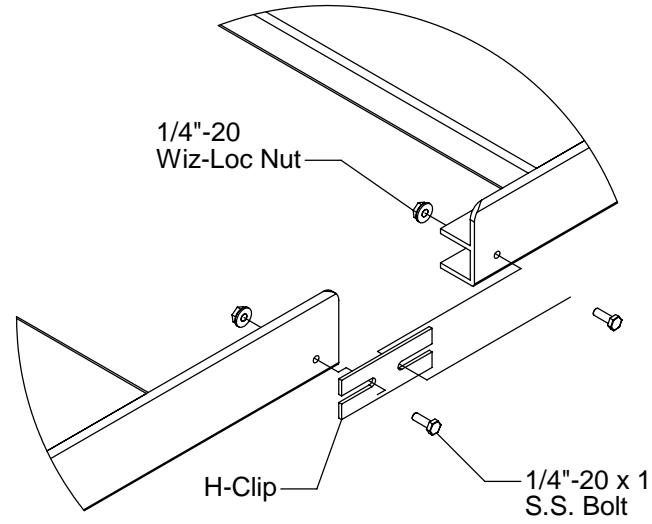
**Quantity= 8**  
3/8"-16 x 1" Stainless Steel  
Hex Bolts



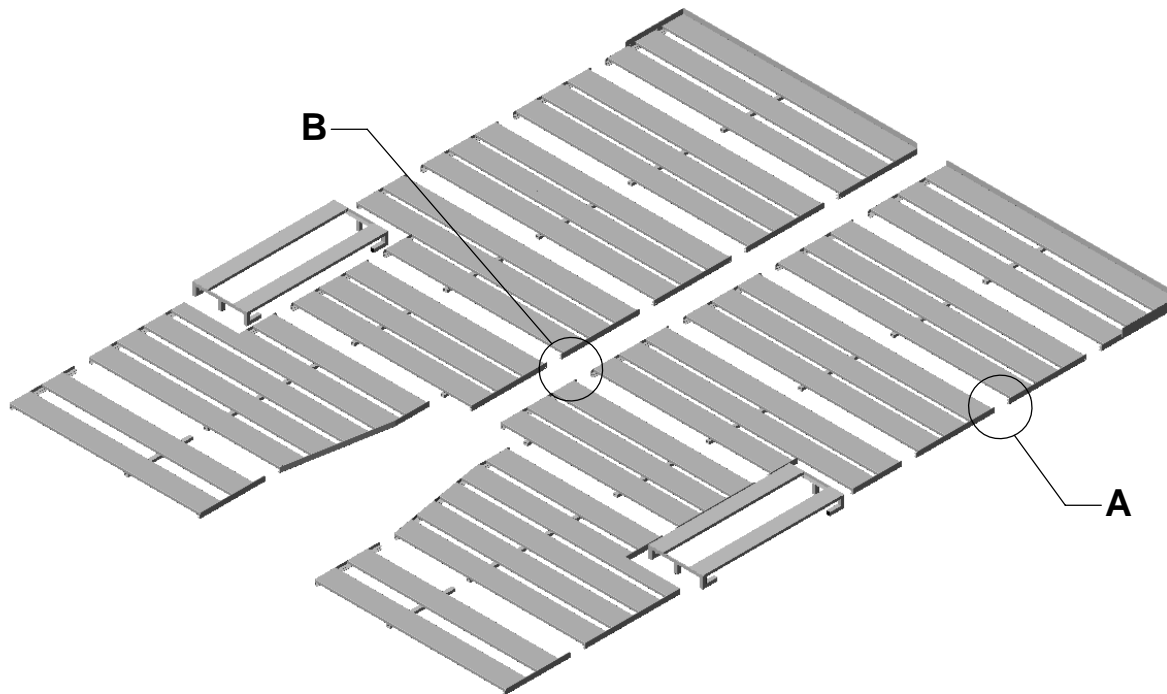
**Quantity= 16**  
1/8" x 1-1/2" x 4"  
Aluminum H-Clip




**DETAIL B**  
**SCALE 1 : 8**



**DETAIL A**  
**SCALE 1 : 6**



 Aluminum Athletic Equipment 1000 Enterprise Drive, Royersford, PA 19468 Toll Free: (800) 523-5471 Fax: (610) 825-2378 <a href="http://www.aaesports.com">www.aaesports.com</a>		
DESCRIPTION		
<b>PVP 216-27 - Detailed Assembly</b>		
NOTE: Shows Hardware Assembly with H-Clips & Bolts		
MODEL:	CATEGORY:	DATE:
PVP 216-27	<b>CUSTOMER</b>	3/18/02
DRAWN BY:	CAD FILE:	DWG. NO.:
TAD	PVP 216-27 Detailed Assembly	PVP 216-27-C-003