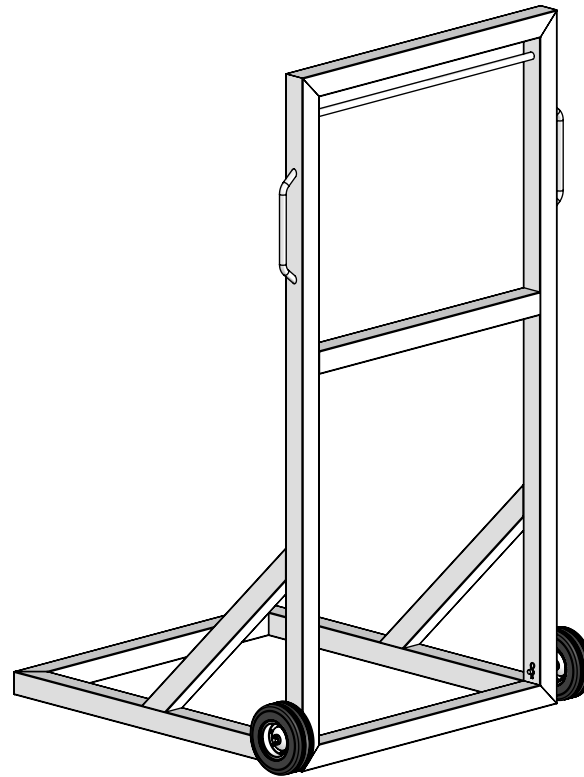


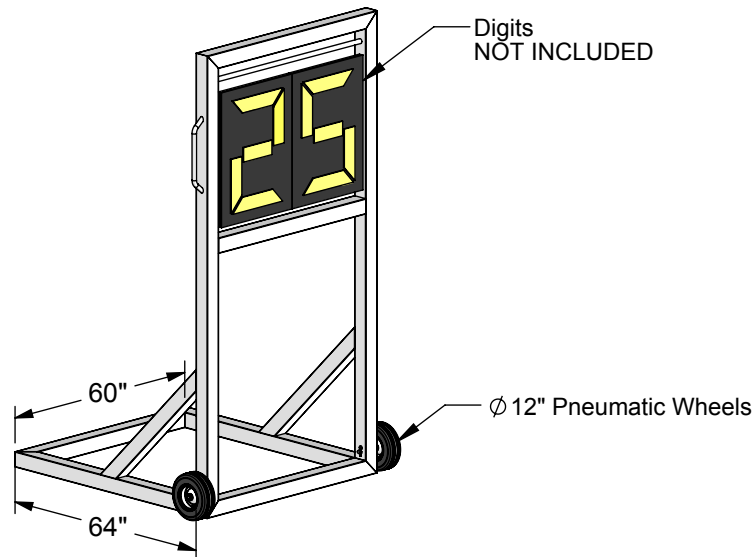
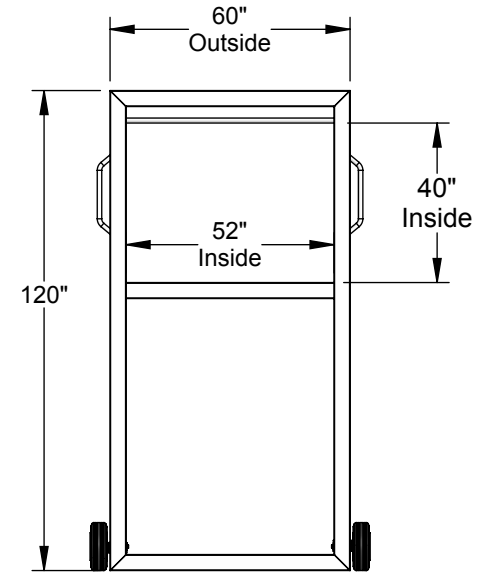
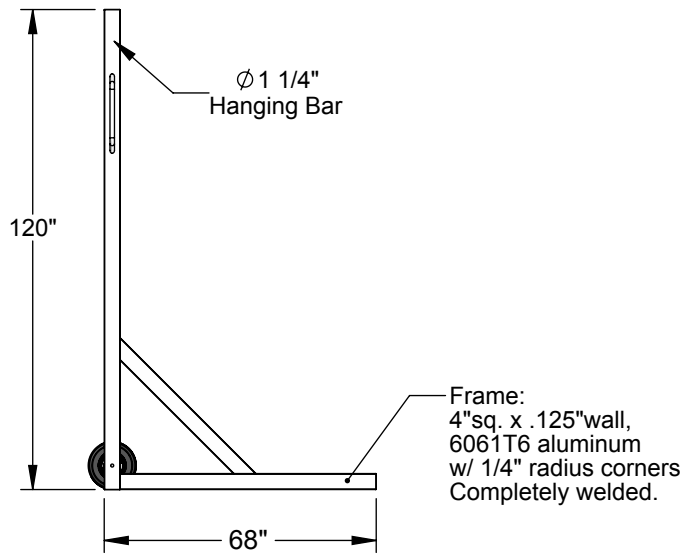
AAE Model No. PTCS Portable Time Clock Stand



Aluminum Athletic Equipment
1000 Enterprise Drive, Royersford, PA 19468
Toll Free: (800) 523-5471 Fax: (610) 825-2378
www.AAEsports.com

PTCS - Portable Time Clock Stand

Specifications



Overall Weight = 150 lbs.



Aluminum Athletic Equipment
 1000 Enterprise Drive, Royersford, PA 19468
 Toll Free: (800) 523-5471 Fax: (610) 825-2378
www.AAEsports.com

DESCRIPTION:		
PTCS - Portable Time Clock Stand - Specifications		
NOTE:		
Any Notes		
MODEL:	CATEGORY:	DATE:
PTCS	CUSTOMER	8/21/13
DWN. BY:	CAD FILE:	DWG. NO.:
TAD	PTCS - Specifications	PTCS-C-001