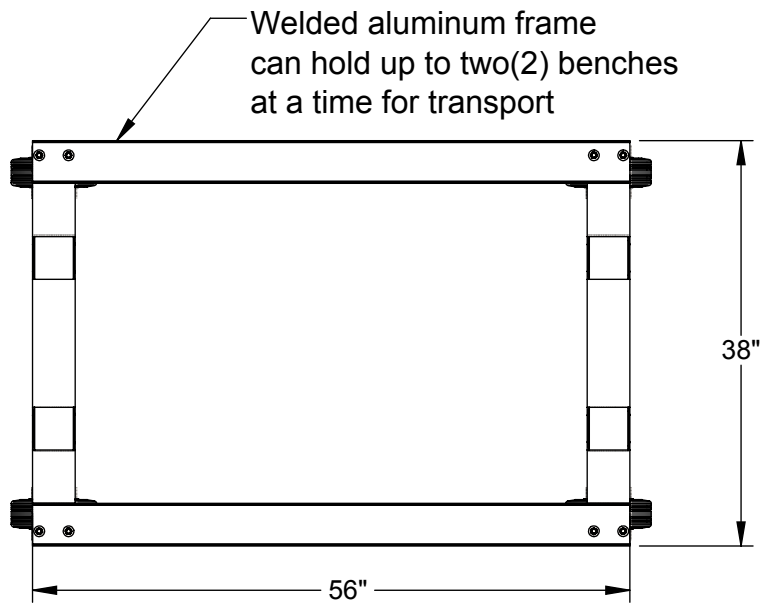
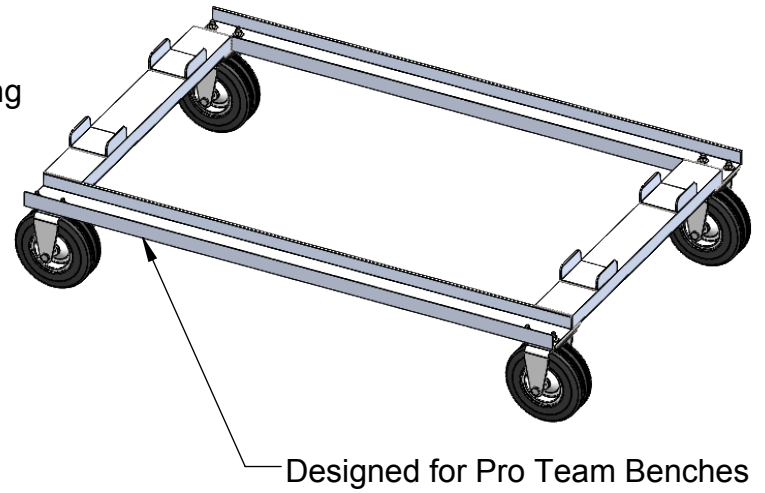
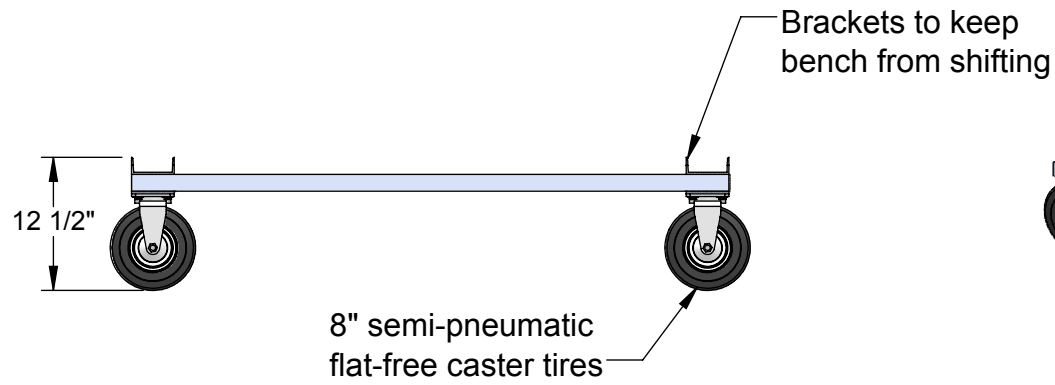



PRO TEAM BENCH CART

Specifications



 Aluminum Athletic Equipment 1000 Enterprise Drive, Royersford, PA 19468 Toll Free: (800) 523-5471 Fax: (610) 825-2378 www.AAEsports.com		
DESCRIPTION:		
PTB-C-PRO - Specifications		
NOTE:		
Pro Team Bench Cart		
MODEL:	CATEGORY:	DATE:
PTB-C-PRO	CUSTOMER	2/21/2018
DWN. BY:	CAD FILE:	DWG. NO.:
TAD	PTB-C-PRO - Specifications	PTB-C-PRO-C-001