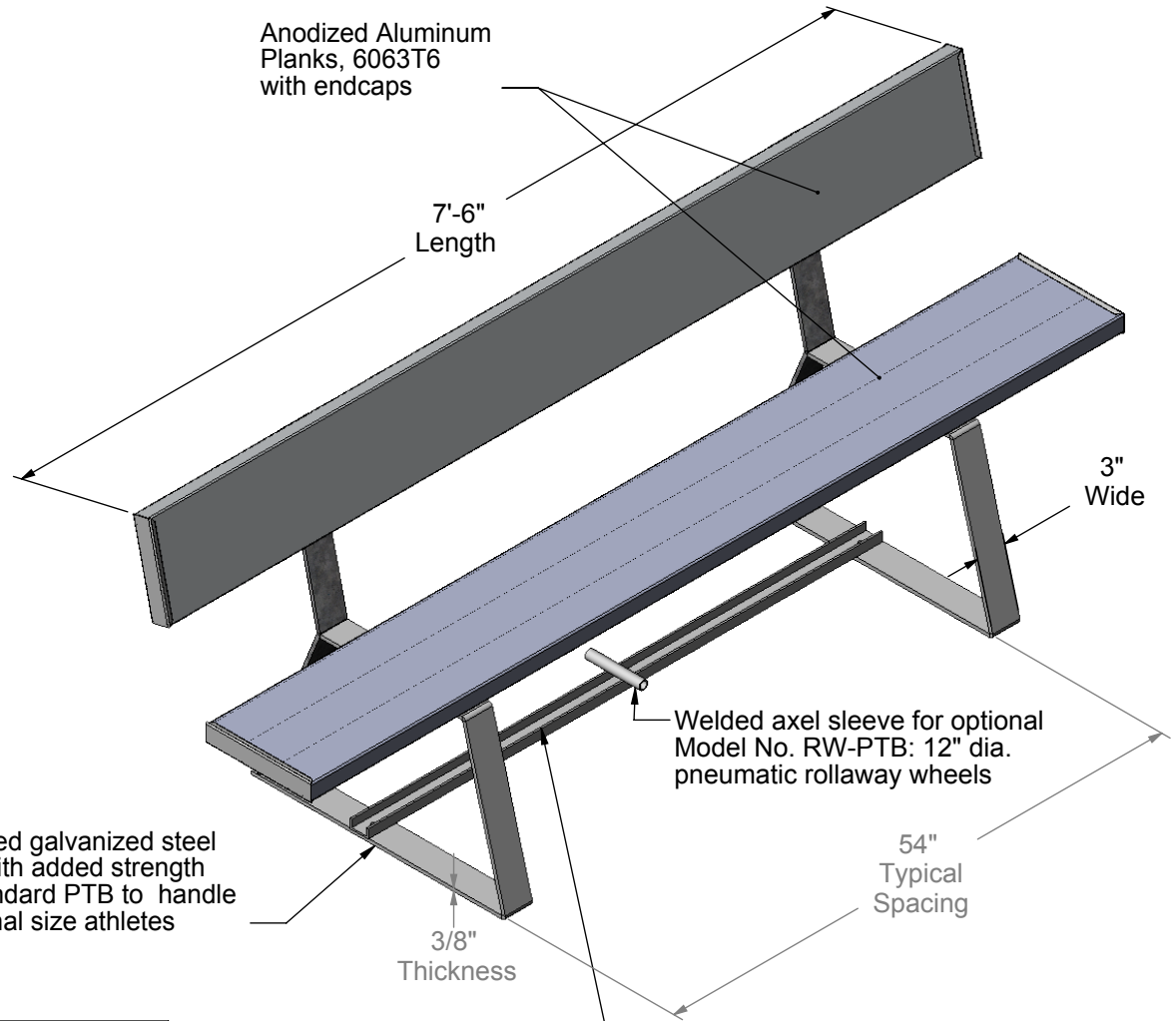
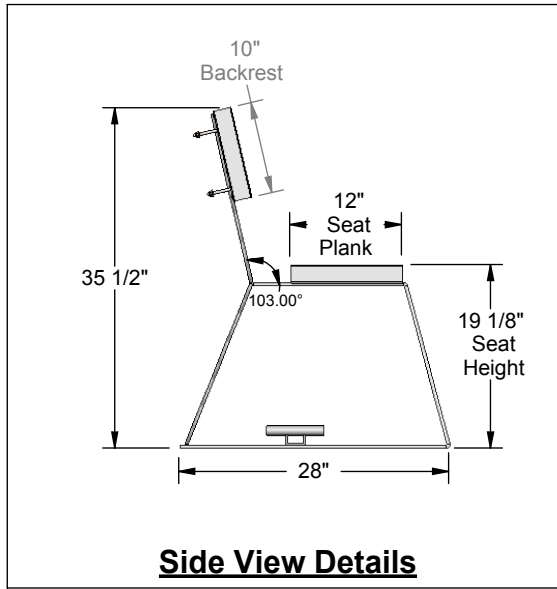


PTB-7.5B/PRO- 7'-6" Portable Pro Team Bench (with Backrest)

Specifications




1" x 2" x 3/16" thick galvanized steel C-channel strengthening bar adds rigidity and stability to the bench

Equipment Details

Materials: Anodized Aluminum, 6063T6
Galvanized Steel, 3/8" x 3" HRS
Galvanized Steel C-Channel, 1" x 2" x 3/16"
Aluminum & Stainless Steel Hardware.

Overall Weight: 155 lbs.
Overall Size: 3' high x 2' deep x 7'-6" long

Protected by our AAE Warranty

 Aluminum Athletic Equipment 1000 Enterprise Drive, Royersford, PA 19468 Toll Free: (800) 523-5471 Fax: (610) 825-2378 www.AAEsports.com		
DESCRIPTION: PTB-7.5B/PRO - Specifications		
NOTE: 7'-6" Portable Pro Team Bench with Backrest		
MODEL: PTB-7.5B/PRO	CATEGORY: CUSTOMER	DATE: 10/07/11
DWN. BY: ARP	CAD FILE: PTB-7.5B_PRO - Specifications	DWG. NO. PTB-7.5B/PRO-C-001