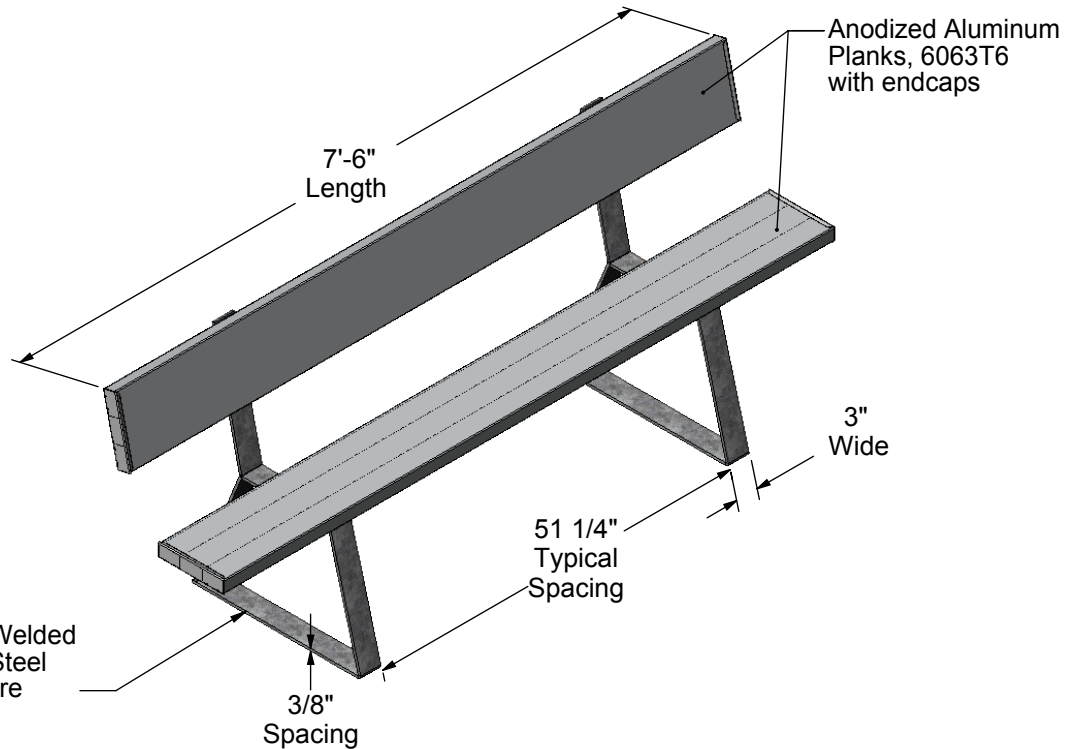
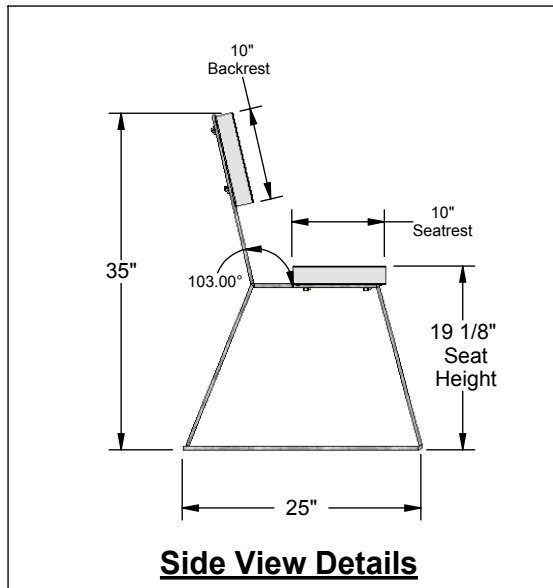


PTB-7.5B - 7'-6" Team Bench (with Backrest)

Specifications



Equipment Details

Materials: Anodized Aluminum, 6063T6
Galvanized Steel, 3/8" x 3" HRS
Aluminum & Stainless Steel Hardware.

Overall Weight: 80 lbs.
Overall Size: 3' high x 2' deep x 7'-6" long

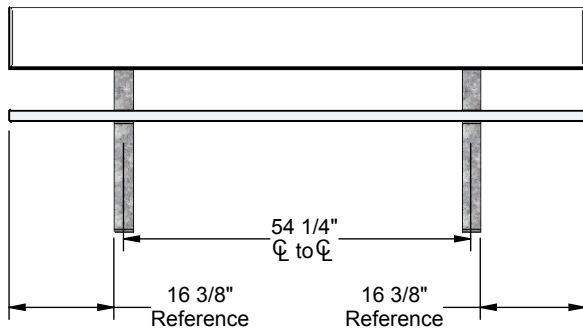
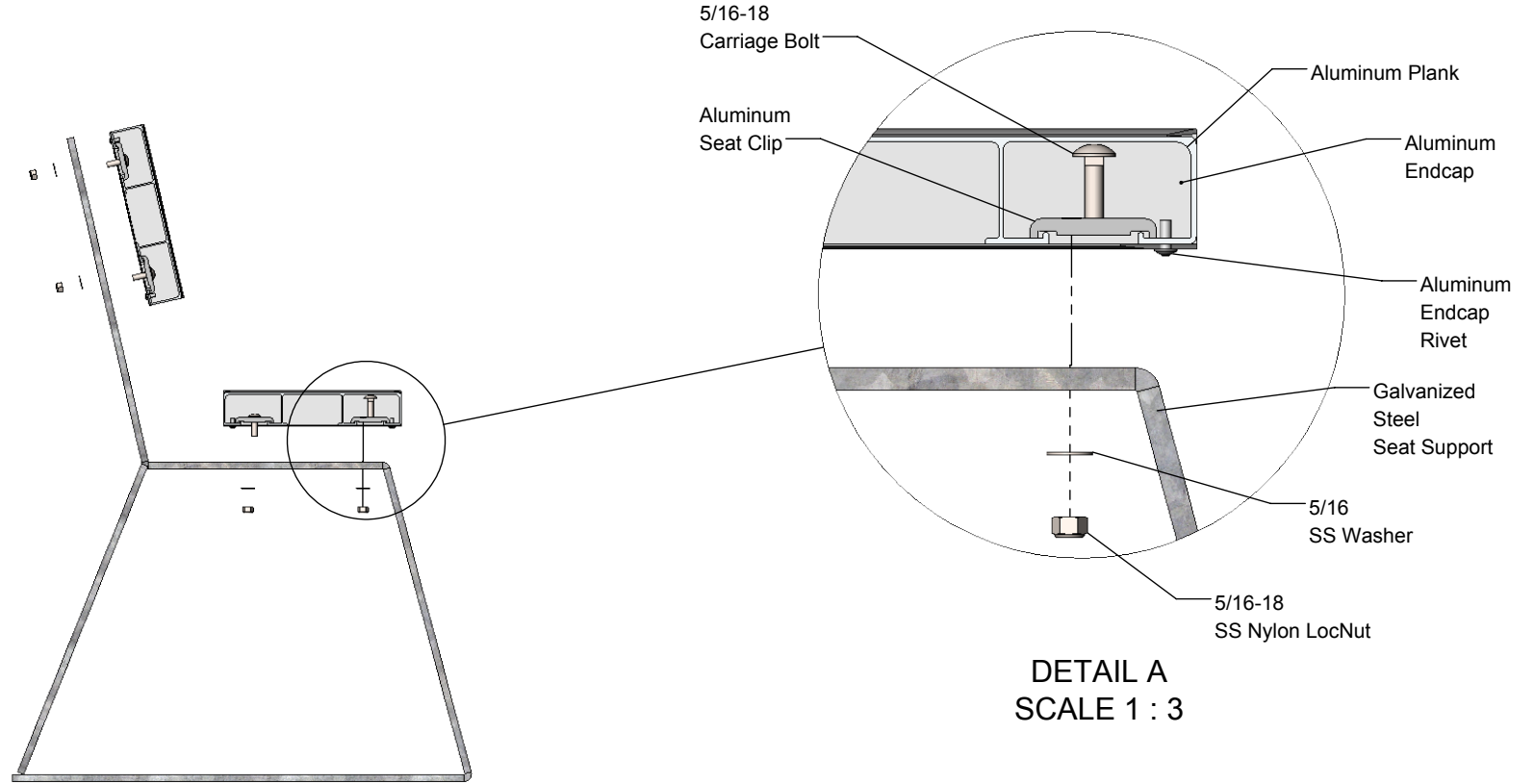
LIFETIME WARRANTY




Aluminum Athletic Equipment
1000 Enterprise Drive, Royersford, PA 19468
Toll Free: (800) 523-5471 Fax: (610) 825-2378
www.AAEsports.com

DESCRIPTION:			PTB-7.5B - Specifications
NOTE:			7'-6" Portable Team Bench with Backrest
MODEL:	CATEGORY:	DATE:	
PTB-7.5B	CUSTOMER	05/01/2018	
DWN. BY:	CAD FILE:	DWG. NO.:	
CED	PTB-7.5B - Specifications	PTB-7.5B-C-001	

PTB-7.5B - 7'-6" Team Bench (with Backrest) Assembly





Aluminum Athletic Equipment
1000 Enterprise Drive, Royersford, PA 19468
Toll Free: (800) 523-5471 Fax: (610) 825-2378
www.AAEsports.com

DESCRIPTION:		
PTB-7.5B - Assembly		
NOTE: Layout Installation		
MODEL:	CATEGORY:	DATE:
PTB-7.5B	CUSTOMER	05/01/2018
DWN. BY:	CAD FILE:	DWG. NO.:
CED	PTB-7.5B - Assembly	PTB-7.5B-C-002