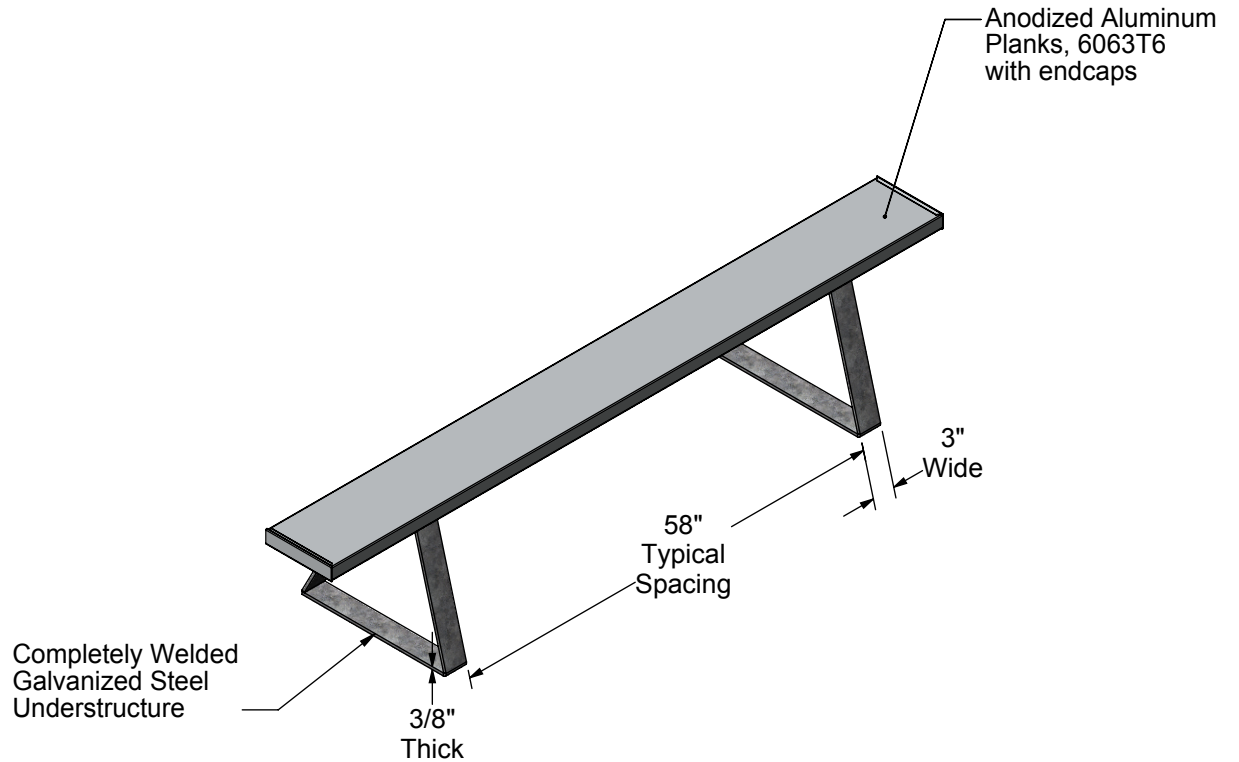
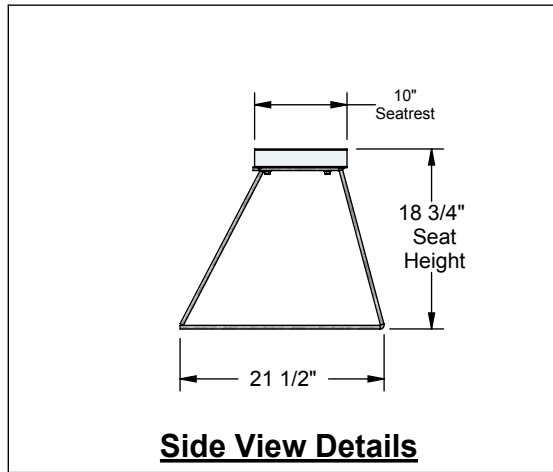


**AAE Model No. PTB-7.5**  
**7'-6" Portable Team Bench**



**Aluminum Athletic Equipment**  
1000 Enterprise Drive, Royersford, PA 19468  
Toll Free: (800) 523-5471 Fax: (610) 825-2378  
[www.AAEsports.com](http://www.AAEsports.com)

# PTB-7.5 - 7'-6" Team Bench Specifications



## Equipment Details

Materials: Anodized Aluminum, 6063T6  
Galvanized Steel, 3/8" x 3" HRS  
Aluminum & Stainless Steel Hardware.

Overall Weight: 60 lbs.  
Overall Size: 18-3/4" high x 21-1/2" deep x 7'-6" long

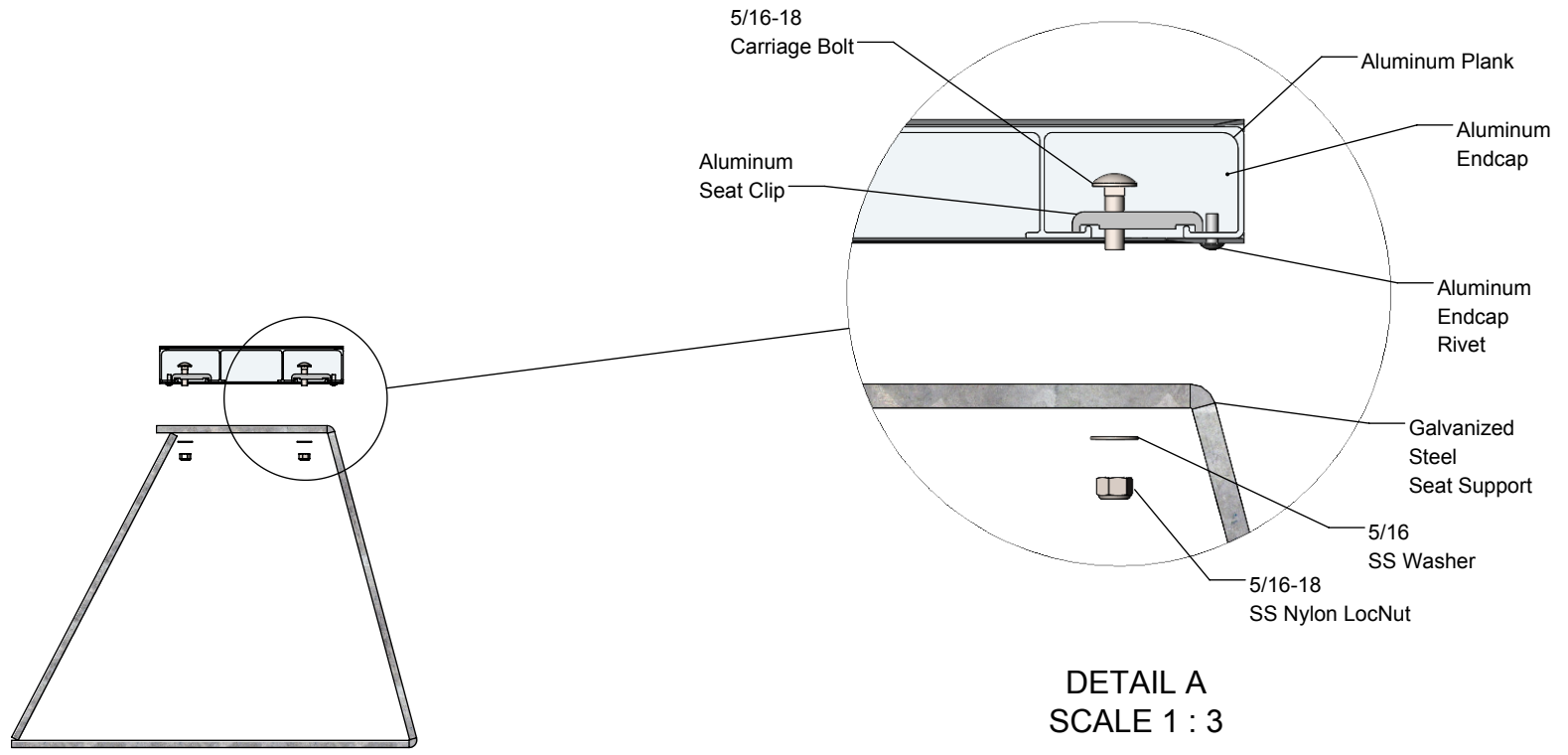
**\*LIFETIME WARRANTY\***



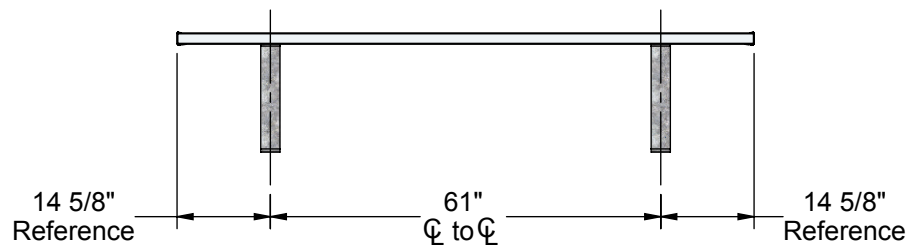
**Aluminum Athletic Equipment**  
1000 Enterprise Drive, Royersford, PA 19468  
Toll Free: (800) 523-5471 Fax: (610) 825-2378  
www.AAEsports.com


DESCRIPTION:			<b>PTB-7.5 - Specifications</b>
NOTE:			7'-6" Portable Team Bench
MODEL:	CATEGORY:	DATE:	
PTB-7.5	<b>CUSTOMER</b>	12/14/2018	
DWN. BY:	CAD FILE:	DWG. NO.:	
CED	PTB-7.5 - Specifications	PTB-7.5-C-001	

# PTB-7.5 - 7'-6" Team Bench Assembly



DETAIL A  
SCALE 1 : 3





**Aluminum Athletic Equipment**  
1000 Enterprise Drive, Royersford, PA 19468  
Toll Free: (800) 523-5471 Fax: (610) 825-2378  
www.AAEsports.com

DESCRIPTION:		
<b>PTB-7.5 - Assembly</b>		
NOTE: Layout Installation		
MODEL:	CATEGORY:	DATE:
PTB-7.5	<b>CUSTOMER</b>	12/17/2018
DWN. BY:	CAD FILE:	DWG. NO.:
CED	PTB-7.5 - Assembly	PTB-7.5-C-002