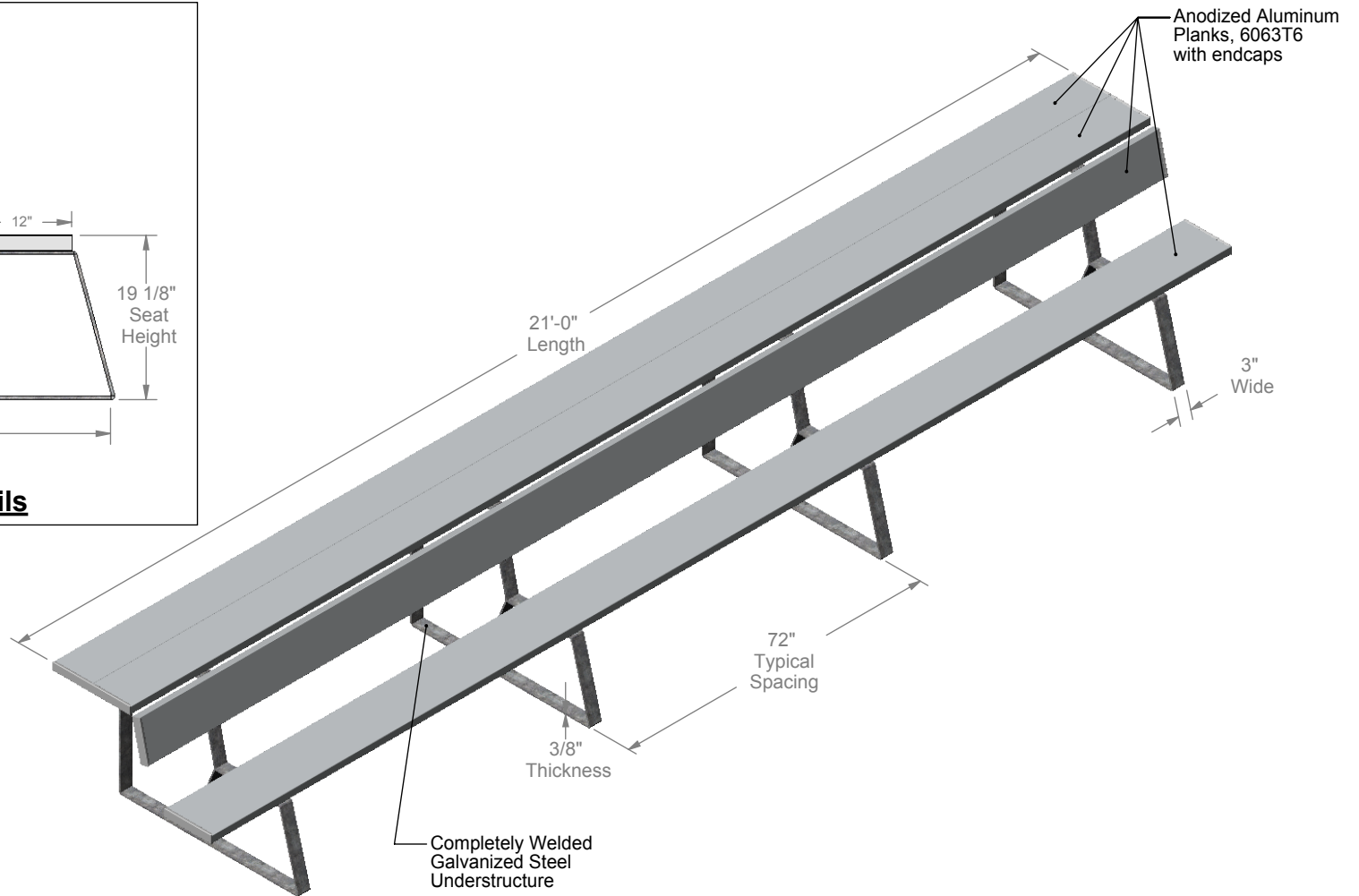
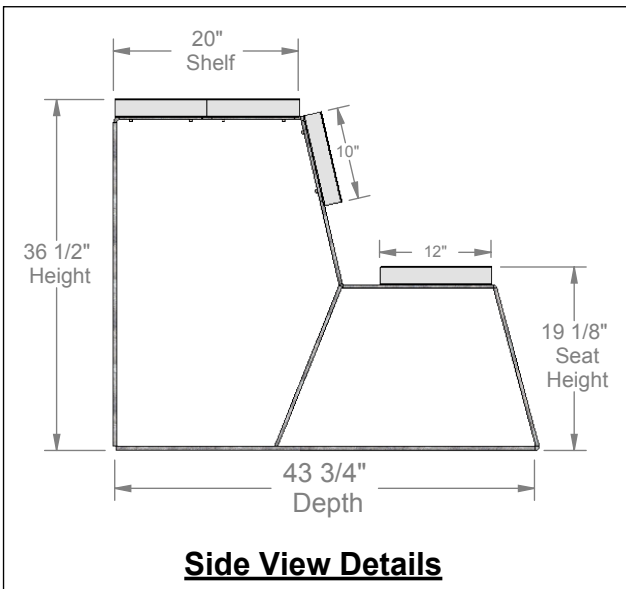


PTB-21B/S - Portable Team Bench 21' (with backrest & shelf)

Specifications



Equipment Details

Materials: Anodized Aluminum, 6063T6
Galvanized Steel, 3/8" x 3" HRS
Aluminum & Stainless Steel Hardware.

Overall Weight: 390 lbs.
Overall Size: 3' high x 4' deep x 21' long

LIFETIME WARRANTY



Aluminum Athletic Equipment
1000 Enterprise Drive, Royersford, PA 19468
Toll Free: (800) 523-5471 Fax: (610) 825-2378
www.AAEsports.com

DESCRIPTION:		
PTB-21B/S - Specifications		
NOTE: 21' with backrest and shelf		
MODEL:	CATEGORY:	DATE:
PTB-21B/S	CUSTOMER	9/29/15
DWN. BY:	CAD FILE:	DWG. NO.:
TAD	PTB-21B/S - Specs	PTB-21B/S-C-001