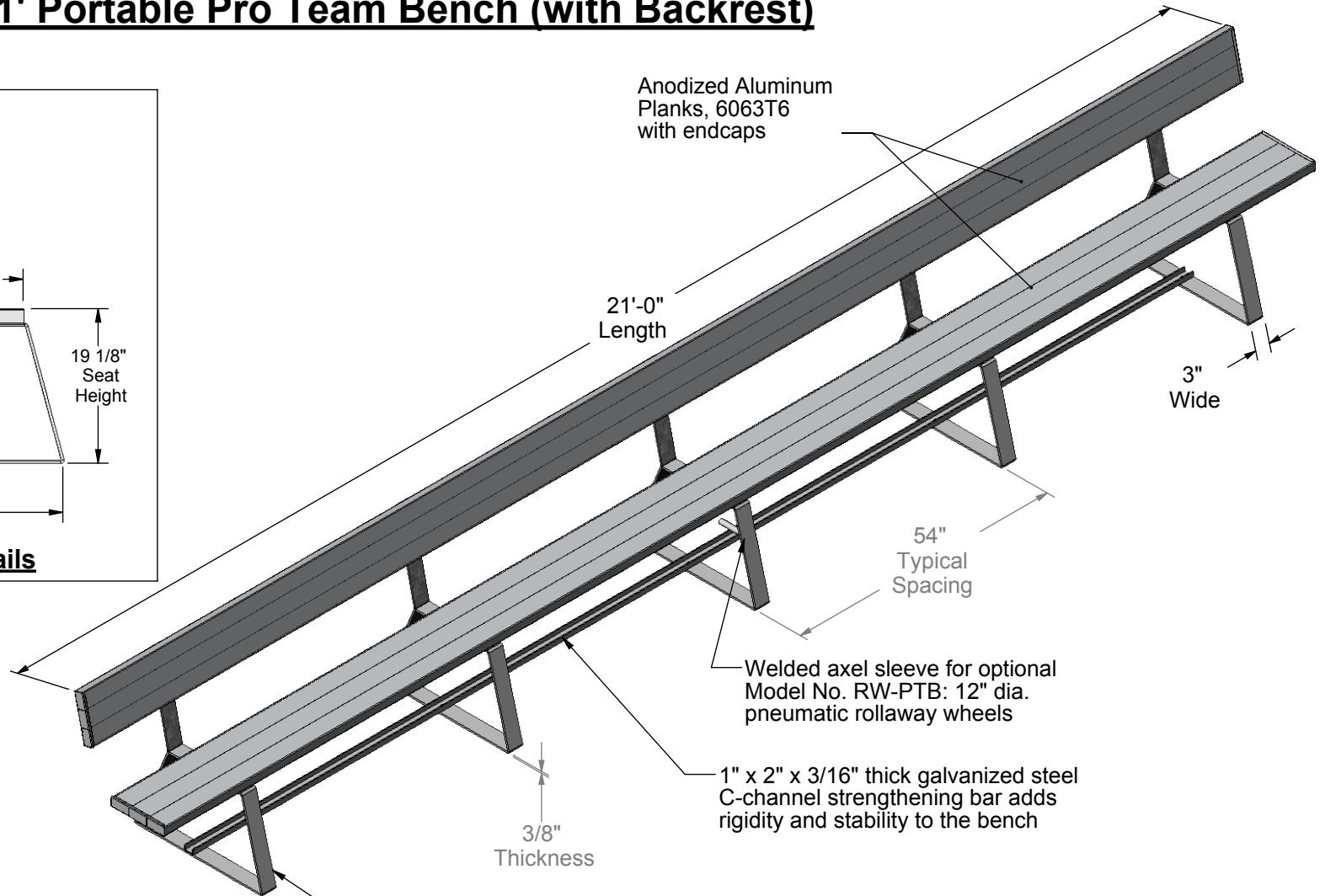
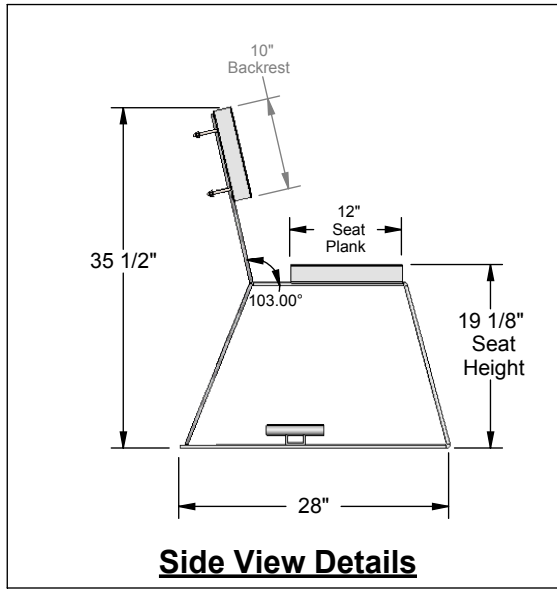


PTB-21B/PRO- 21' Portable Pro Team Bench (with Backrest)

Specifications



Equipment Details

Materials: Anodized Aluminum, 6063T6
Galvanized Steel, 3/8" x 3" HRS
Galvanized Steel C-Channel, 1" x 2" x 3/16"
Aluminum & Stainless Steel Hardware.

Overall Weight: 155 lbs.
Overall Size: 3' high x 2' deep x 21' long

Protected by our AAE Warranty

Completely welded galvanized steel understructure with added strength compared to standard PTB to handle larger, professional size athletes



Aluminum Athletic Equipment
1000 Enterprise Drive, Royersford, PA 19468
Toll Free: (800) 523-5471 Fax: (610) 825-2378
www.AAEsports.com

DESCRIPTION:		
PTB-21B/PRO - Specifications		
NOTE: 21' Portable Pro Team Bench with Backrest		
MODEL:	CATEGORY:	DATE:
PTB-21B/PRO	CUSTOMER	10/07/11
DWN. BY:	CAD FILE:	DWG. NO.:
ARP	PTB-21B_PRO - Specifications	PTB-21B/PRO-C-001