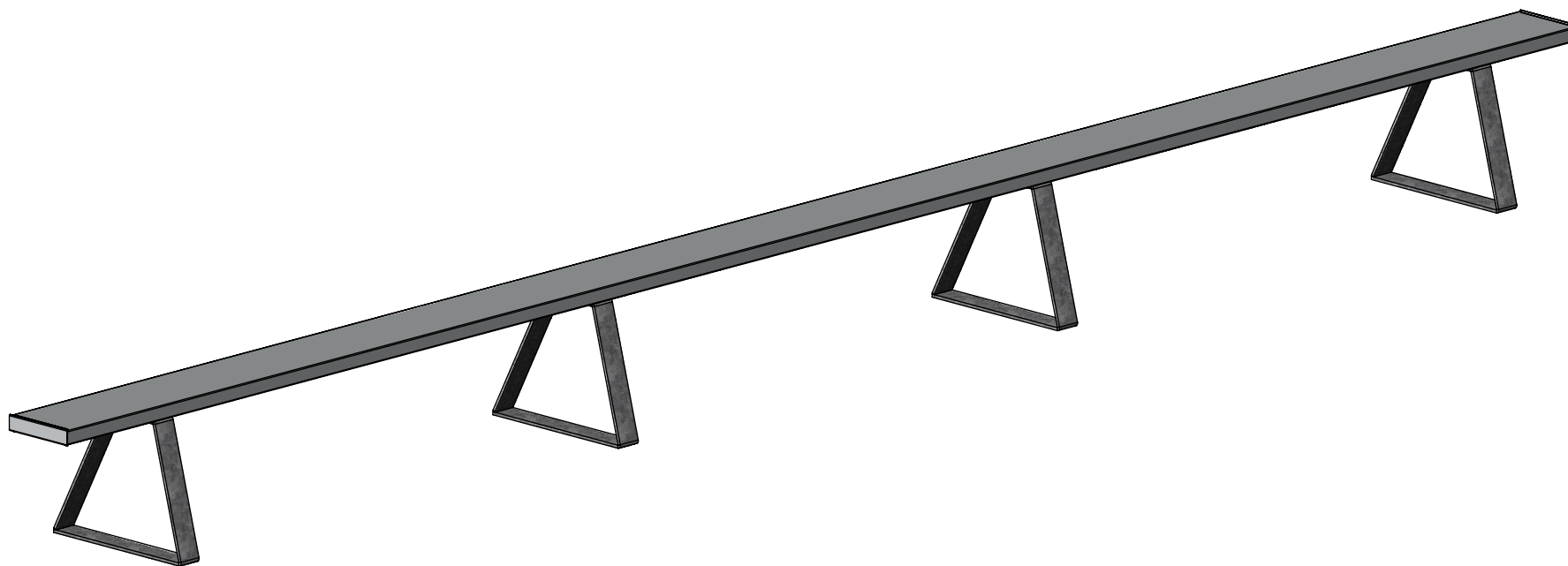


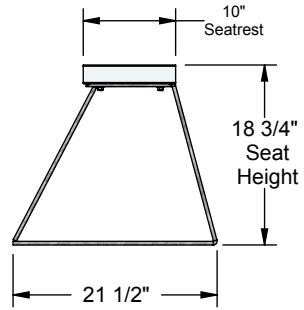
AAE Model No. PTB-21
21' Portable Team Bench



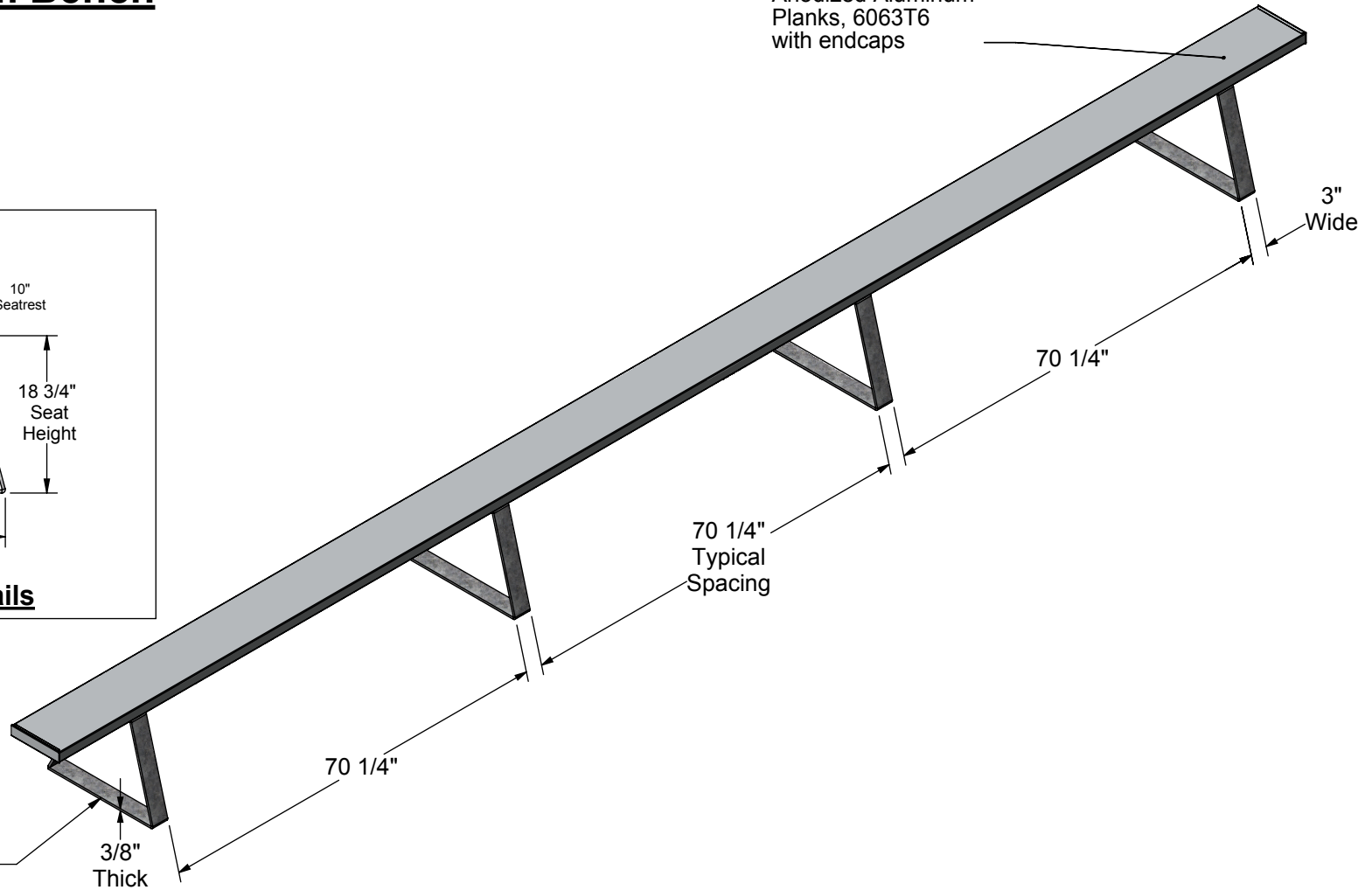
Aluminum Athletic Equipment
1000 Enterprise Drive, Royersford, PA 19468
Toll Free: (800) 523-5471 Fax: (610) 825-2378
www.AAEsports.com

PTB-21 - 21' Team Bench Specifications

Anodized Aluminum Planks, 6063T6 with endcaps



Side View Details



Completely Welded Galvanized Steel Understructure

Equipment Details

Materials: Anodized Aluminum, 6063T6
Galvanized Steel, 3/8" x 3" HRS
Aluminum & Stainless Steel Hardware.

Overall Weight: 130 lbs.
Overall Size: 18-3/4" high x 21-1/2" deep x 21' long

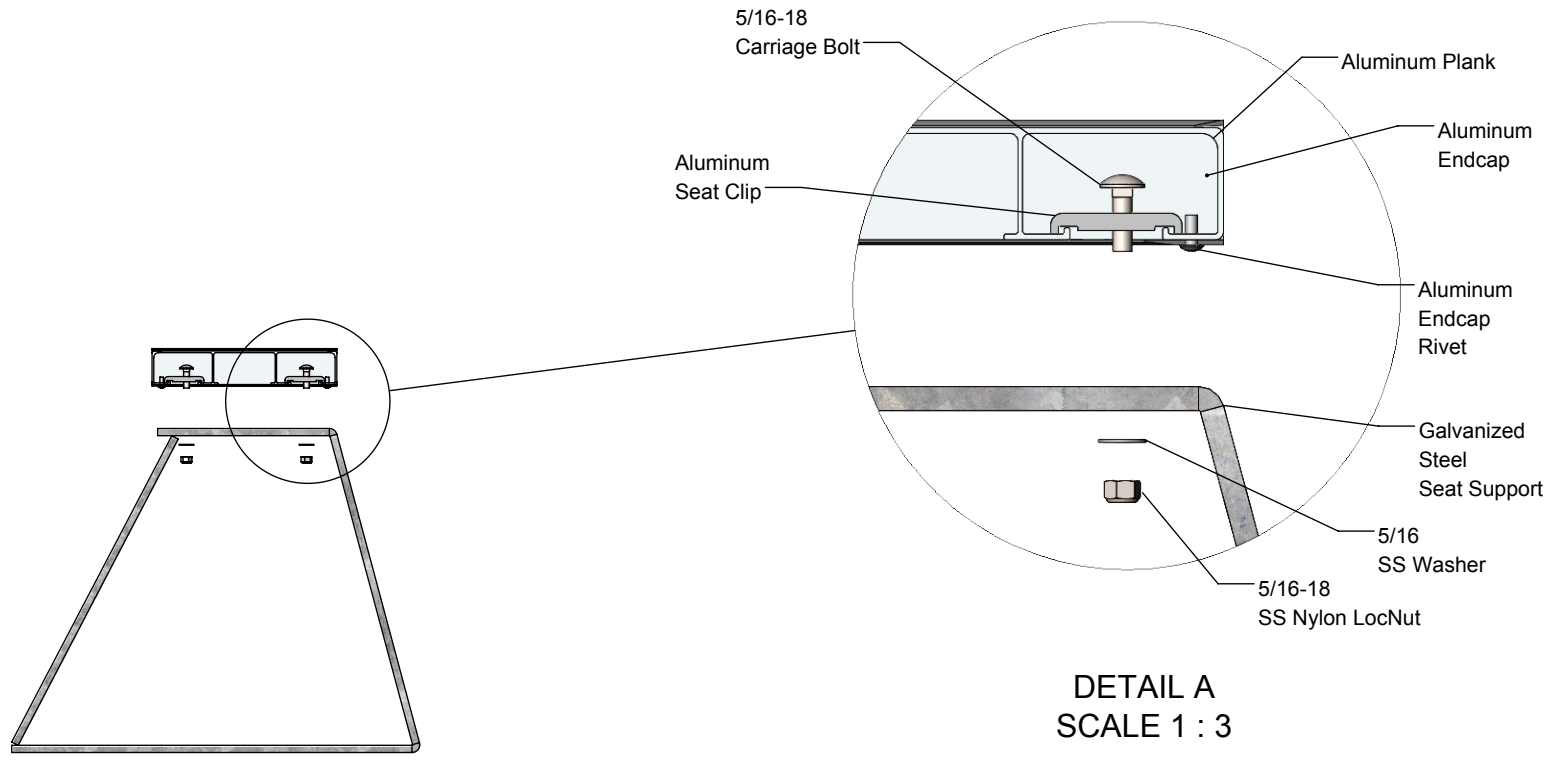
LIFETIME WARRANTY



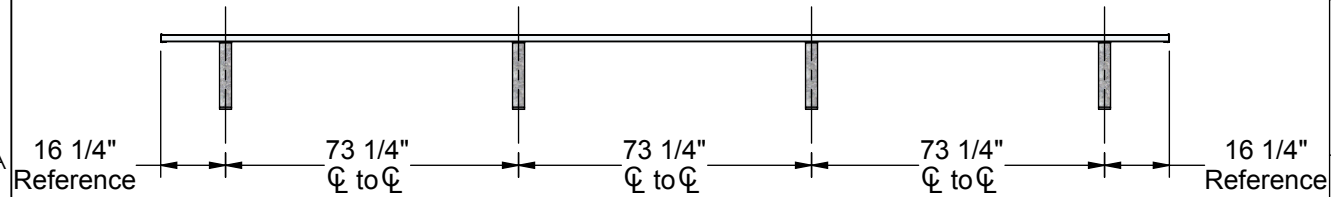
Aluminum Athletic Equipment
1000 Enterprise Drive, Royersford, PA 19468
Toll Free: (800) 523-5471 Fax: (610) 825-2378
www.AAEsports.com


DESCRIPTION:			PTB-21 - Specifications		
NOTE:			21' Portable Team Bench		
MODEL:	CATEGORY:	DATE:			
PTB-21	CUSTOMER	12/17/2018			
DWN. BY:	CAD FILE:	DWG. NO.:			
CED	PTB-21 - Specifications	PTB-21-C-001			

PTB-21 - 21' Team Bench Assembly



DETAIL A
SCALE 1 : 3





Aluminum Athletic Equipment
1000 Enterprise Drive, Royersford, PA 19468
Toll Free: (800) 523-5471 Fax: (610) 825-2378
www.AAEsports.com

DESCRIPTION:		
PTB-21 - Assembly		
NOTE: Layout Installation		
MODEL: PTB-21	CATEGORY: CUSTOMER	DATE: 12/17/2018
DWN. BY: CED	CAD FILE: PTB-21 - Assembly	DWG. NO. PTB-21-C-002