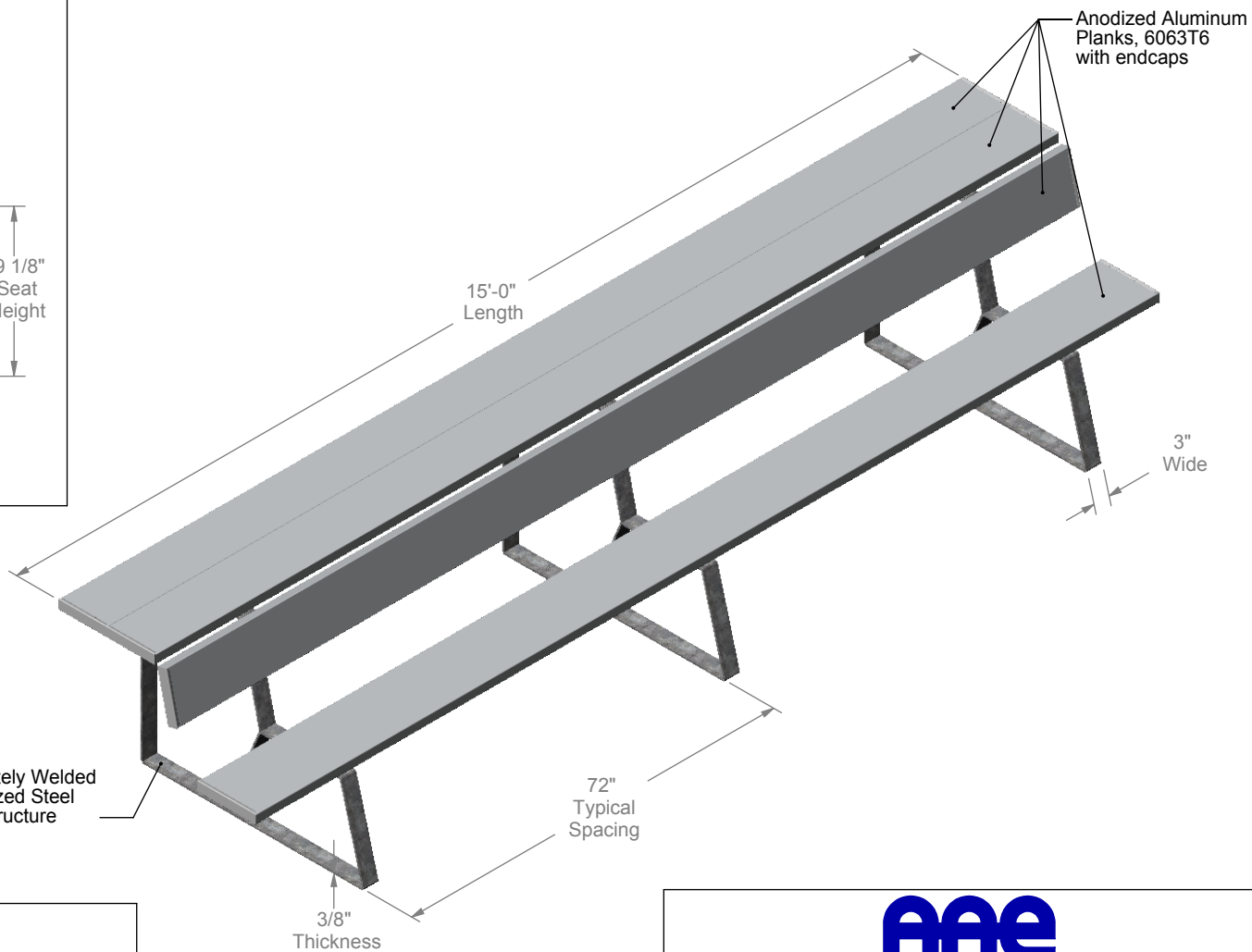
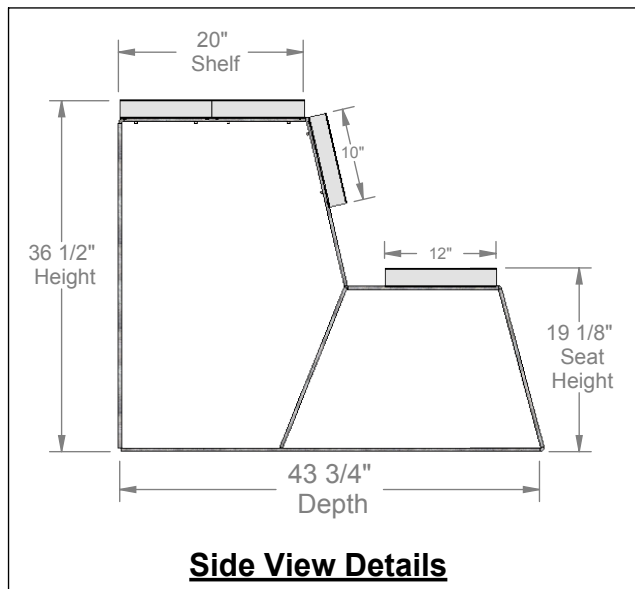


PTB-15B/S - Portable Team Bench 15' (with backrest & shelf)

Specifications



Completely Welded Galvanized Steel Understructure

Equipment Details

Materials: Anodized Aluminum, 6063T6
Galvanized Steel, 3/8" x 3" HRS
Aluminum & Stainless Steel Hardware.

Overall Weight: 290 lbs.
Overall Size: 3' high x 4' deep x 15' long

LIFETIME WARRANTY

 Aluminum Athletic Equipment 1000 Enterprise Drive, Royersford, PA 19468 Toll Free: (800) 523-5471 Fax: (610) 825-2378 www.AAEsports.com		
DESCRIPTION: PTB-15B/S - Specifications		
NOTE: 15' with backrest and shelf		
MODEL: PTB-15B/S	CATEGORY: CUSTOMER	DATE: 4/3/07
DWN. BY: TAD	CAD FILE: PTB-15B/S - Specs	DWG. NO. PTB-15B/S-C-001