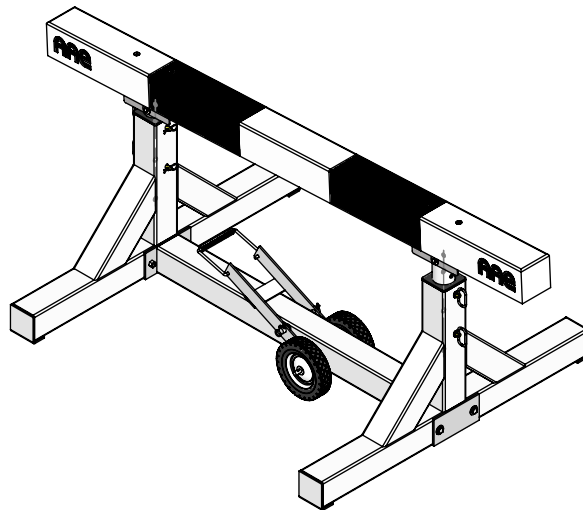


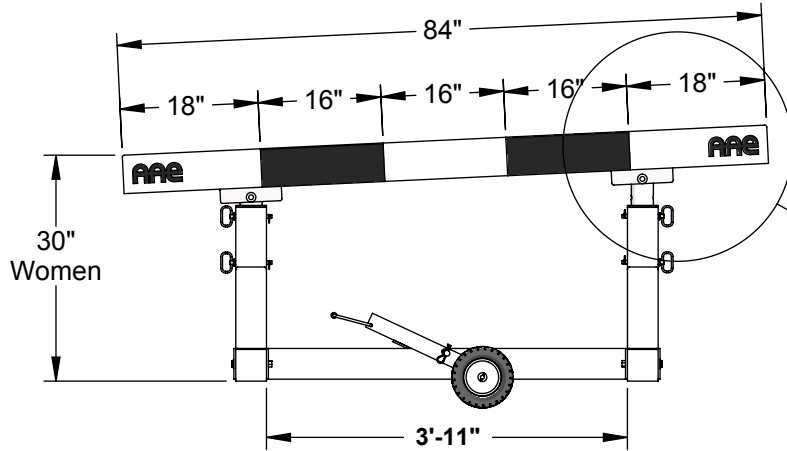
AAE Model No. PSH-MP Portable Mini-Practice Steeplechase Hurdle



Aluminum Athletic Equipment
1000 Enterprise Drive, Royersford, PA 19468
Toll Free: (800) 523-5471 Fax: (610) 825-2378
www.AAEsports.com

PSH-MP - Specifications

Portable Mini-Practice Steeplechase Hurdle



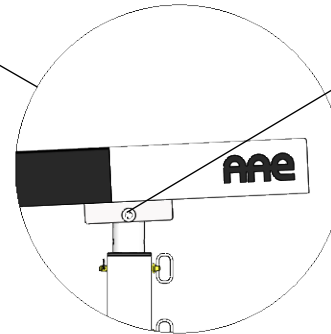
5" Sq. Hurdle Beam -
comprised of Nuron™
synthetic surface with
internal 3"x4" structural
aluminum beam

Aluminum Uprights
with welded sleeves
for easy pin alignment

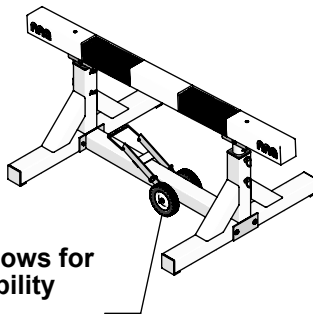
Fully Welded
Support Stands

30"/36"
Women/Men
Adjustable

47 1/4"



Pivot Design -
Allows for
one side to be
raised at a time.



***OPTIONAL**
Wheel Device allows for
360° Maneuverability
when engaged.

SPECIAL FEATURES

Hurdle Beam -
3" x 4" structural rectangular aluminum tube
capped with 5" x 5" x 1" thick replaceable
synthetic Nuron™ with 1/4" radius edges .

Hurdle Frame -
4"sq. aluminum tube with 1/4" radius corners.

Hurdle Adjustment -
2-1/2" sch.40 Aluminum uprights attach to a
stainless steel pivot channel, the uprights slide
inside a black UHMW guide, which allows for
quick and easy adjustments from the Men's
to the Women's Steeplechase Event.



Aluminum Athletic Equipment
1000 Enterprise Drive, Royersford, PA 19468
Toll Free: (800) 523-5471 Fax: (610) 825-2378
www.AAEsports.com

DESCRIPTION

PSH-MP - Portable Mini-Practice Steeplechase Hurdle - Specs

NOTE:

Mini-Practice Hurdle

MODEL:

PSH

CATEGORY:

CUSTOMER

DATE:

12/14/2018

DRAWN BY:

CED

CAD FILE:

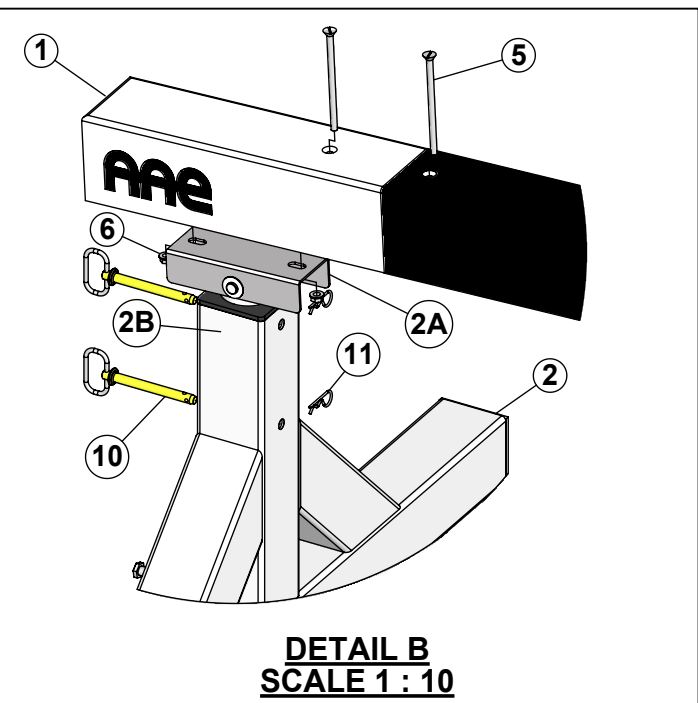
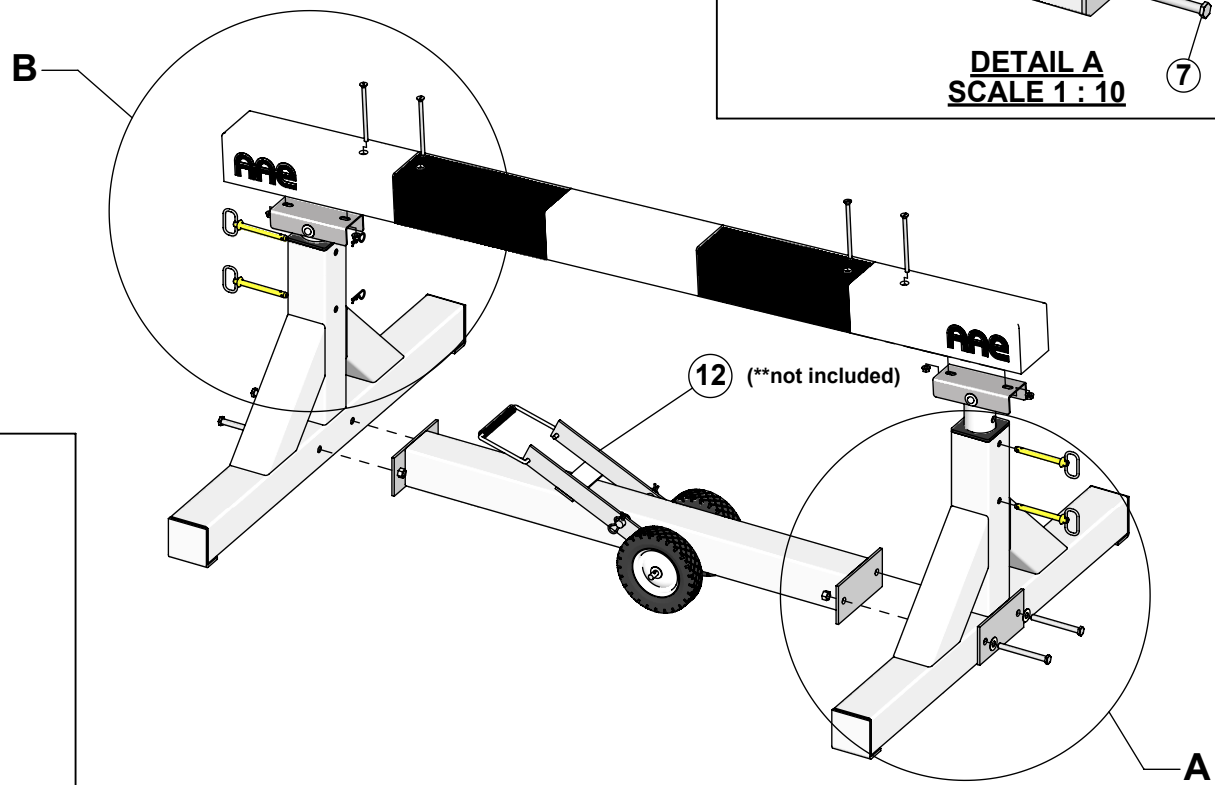
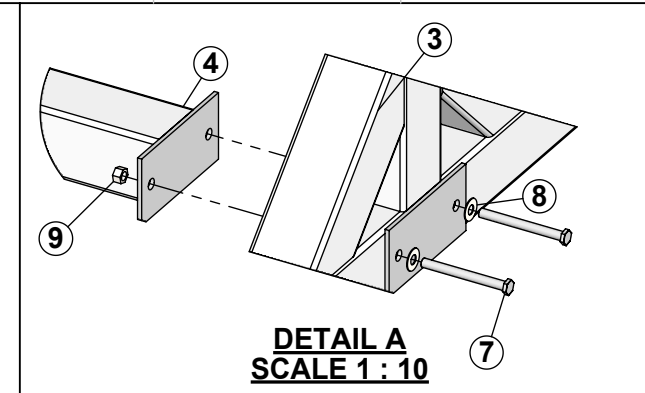
PSH-MP Specifications


DWG. NO.

PSH-MP-C-001

PSH-MP - Assembly

Portable Mini-Practice Steeplechase Hurdle





Aluminum Athletic Equipment
1000 Enterprise Drive, Royersford, PA 19468
Toll Free: (800) 523-5471 Fax: (610) 825-2378
www.AAEsports.com

DESCRIPTION		
PSH-MP - Adjustable Steeplechase Hurdle Assembly		
NOTE: Mini-Practice Steeplechase Hurdle		
MODEL:	CATEGORY:	DATE:
PSH-MP	CUSTOMER	12/14/2018
DRAWN BY:	CAD FILE:	DWG. NO.:
CED	PSH-MP - Assembly	PSH-MP-C-002