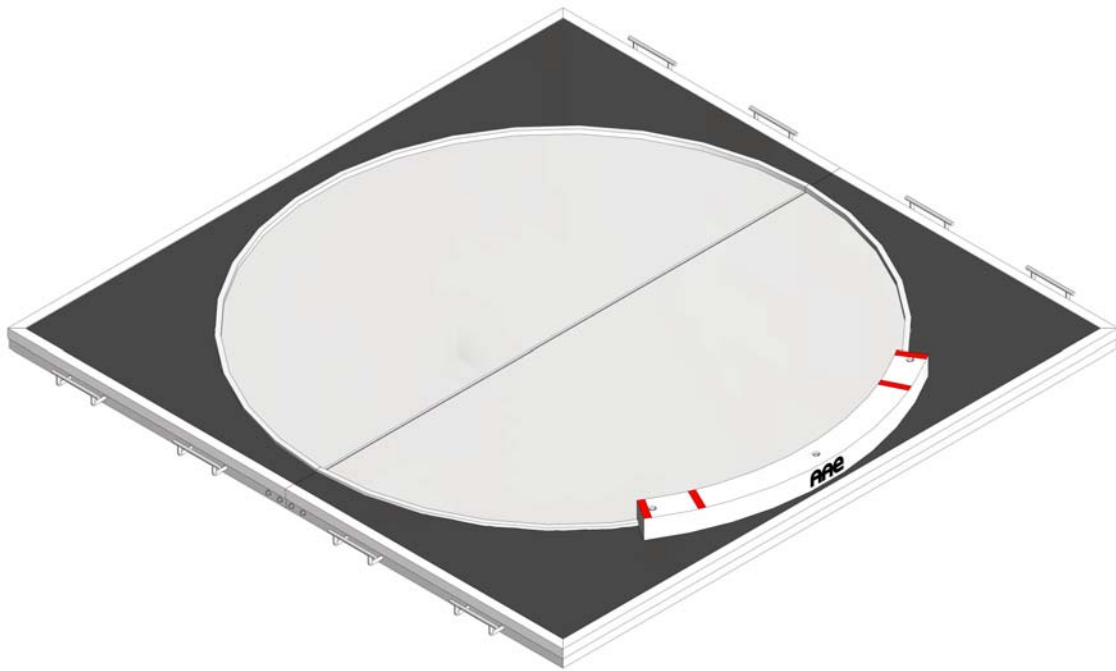


PIP

PREMIER INDOOR THROWING PLATFORM

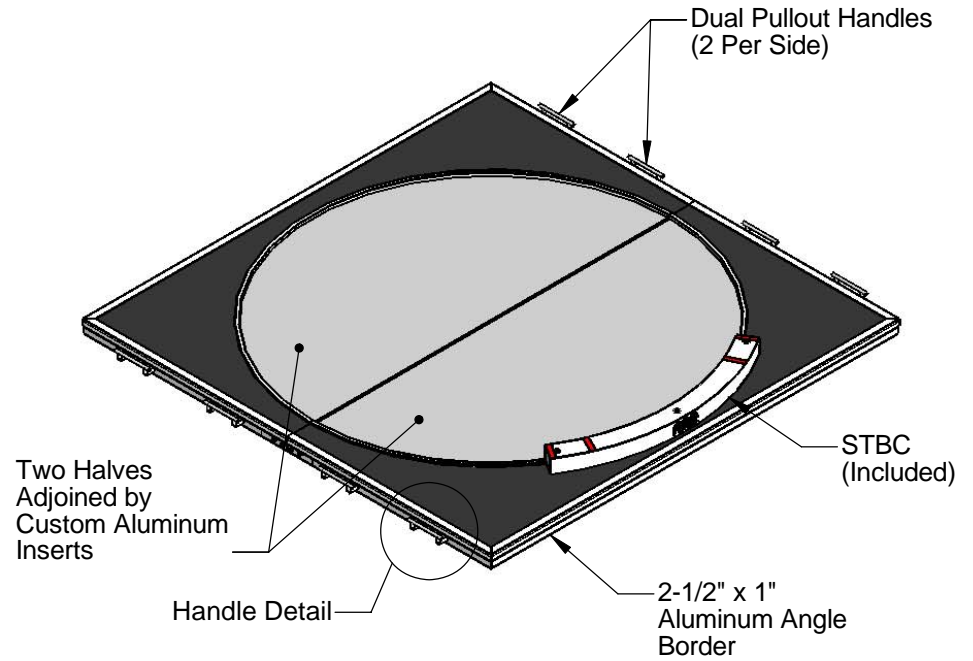
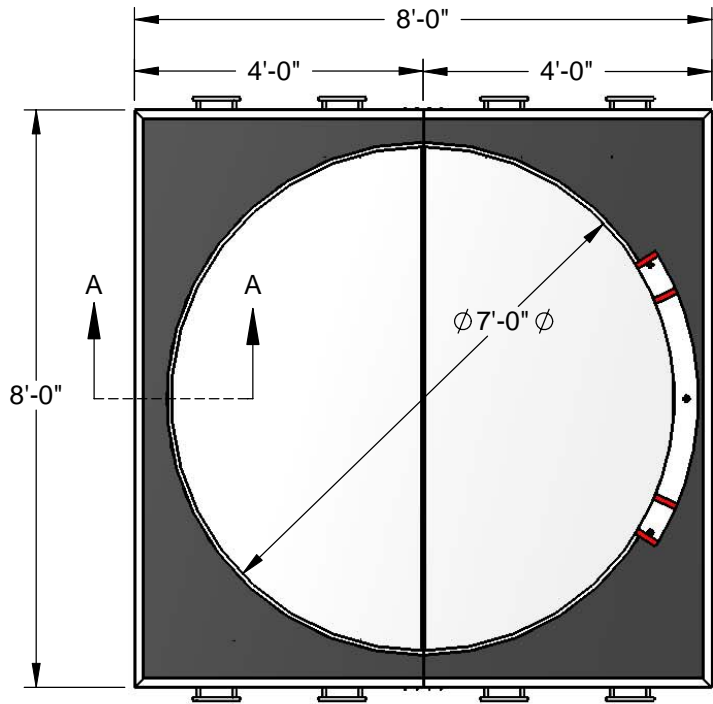


**Specification & Installation
Packet**

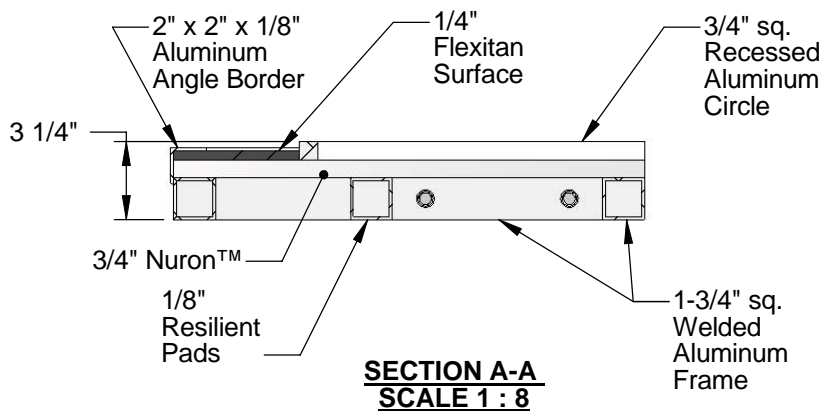


PIP - Specifications

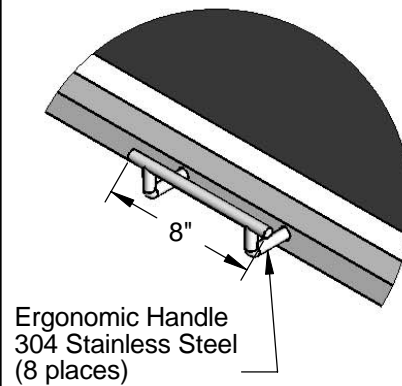
Premier Indoor Throwing Platform



Platform Detail Specifications



Pullout Handle Detail



Aluminum Athletic Equipment
1000 Enterprise Drive, Royersford, PA 19468
Toll Free: (800) 523-5471 Fax: (610) 825-2378
www.aesports.com

DESCRIPTION		
PIP - Premier Indoor Throwing Platform - Specifications		
NOTE:		
MODEL:	CATEGORY:	DATE:
PIP	CUSTOMER	2/2/04
DWN. BY:	CAD FILE:	DWG. NO.
TAD	PIP - Specifications	PIP-C-001