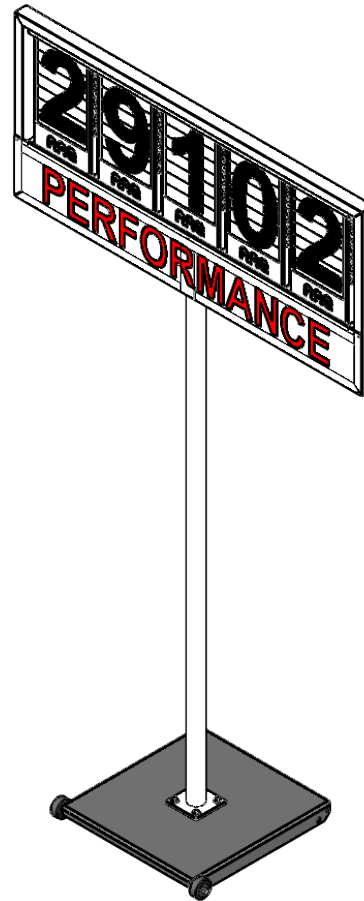


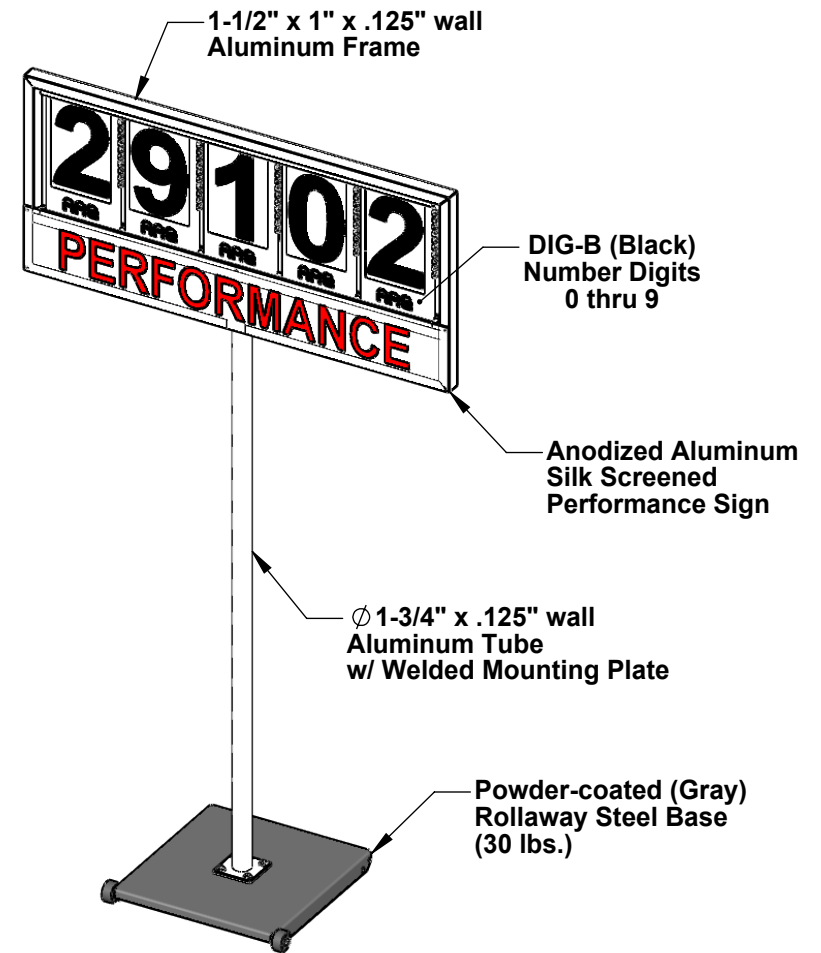
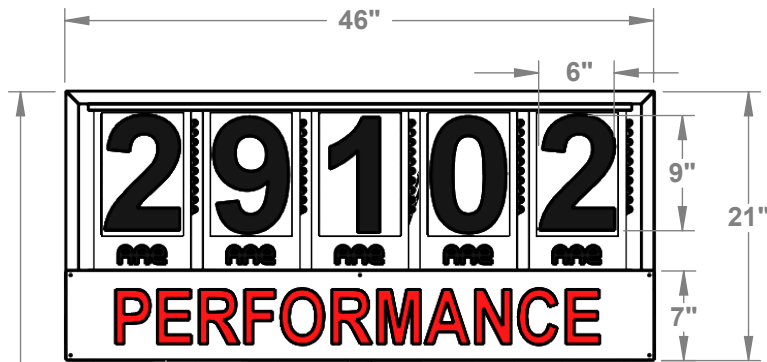
AAE Model No. PI-B Performance Indicator with Base



AAE[®]

Aluminum Athletic Equipment
1000 Enterprise Drive, Royersford, PA 19468
Toll Free: (800) 523-5471 Fax: (610) 825-2378
www.AAEsports.com

PI-B - Performance Indicator w/ Base Specifications



Extra Notes:

*Vinyl Weather Cover
(also available)

*Vinyl Sand Bags
- hold 60 lbs. of sand
- bright yellow
(also available)

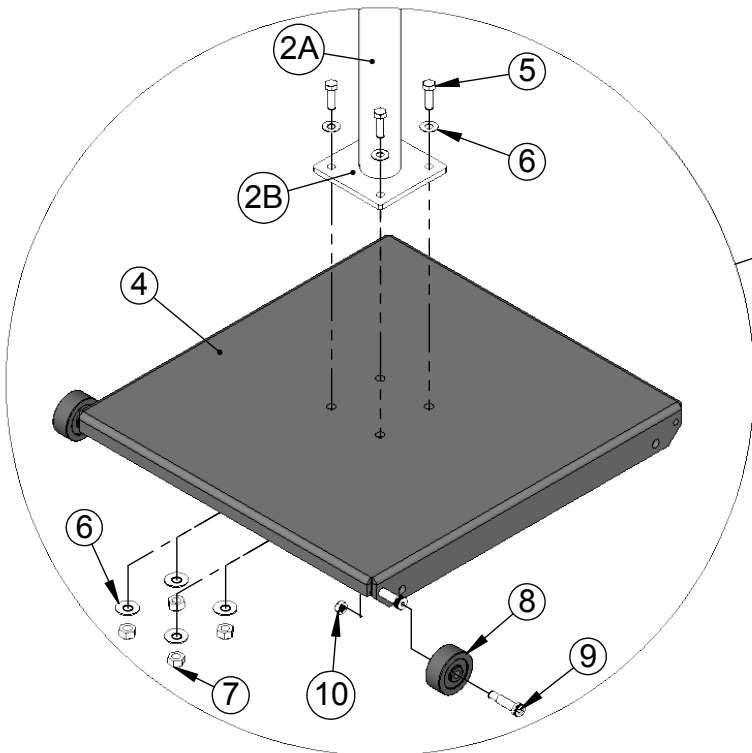
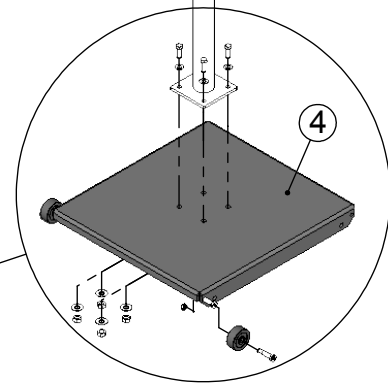
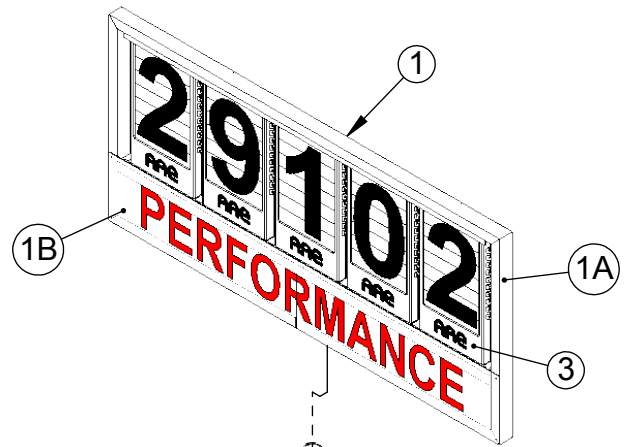
***Overall Weight = 75 lbs.**



Aluminum Athletic Equipment
1000 Enterprise Drive, Royersford, PA 19468
Toll Free: (800) 523-5471 Fax: (610) 825-2378
www.AAEsports.com

DESCRIPTION: PI-B - Performance Indicator w/ Base - Specifications		
NOTE:		
MODEL: PI-B	CATEGORY: CUSTOMER	DATE: 12/16/04
DWN. BY: TAD	CAD FILE: PI-B - Specifications	DWG. NO. PI-B-C-001

Performance Indicator Assembly



DETAIL A
SCALE 1 : 8



Aluminum Athletic Equipment
1000 Enterprise Drive, Royersford, PA 19468
Toll Free: (800) 523-5471 Fax: (610) 825-2378
www.AAEsports.com

DESCRIPTION:		
Performance Indicator - Assembly		
NOTE: Model No. PI-B-5 (5 Digit Indicator) shown above		
MODEL:	CATEGORY:	DATE:
PI-B	CUSTOMER	2/1/13
DWN. BY:	CAD FILE:	DWG. NO.:
TAD	PI-B Assembly	PI-B-C-002