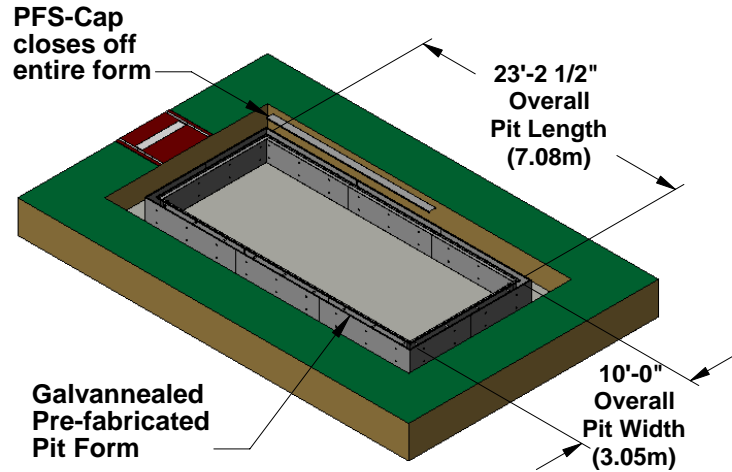


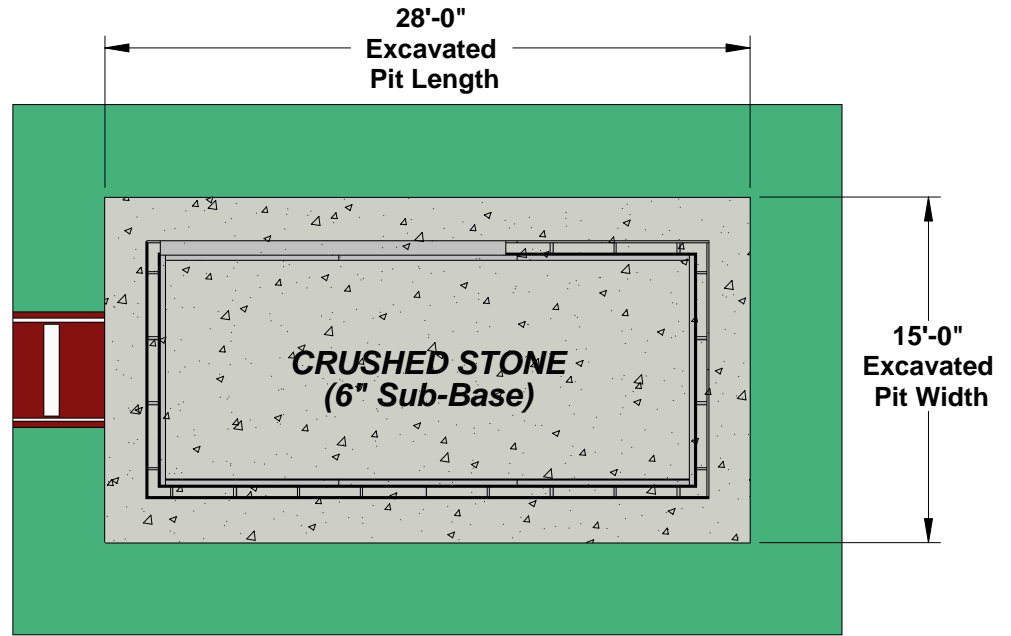
# PFS-HS - High School Pit Form

## Long/Triple Jump Pit

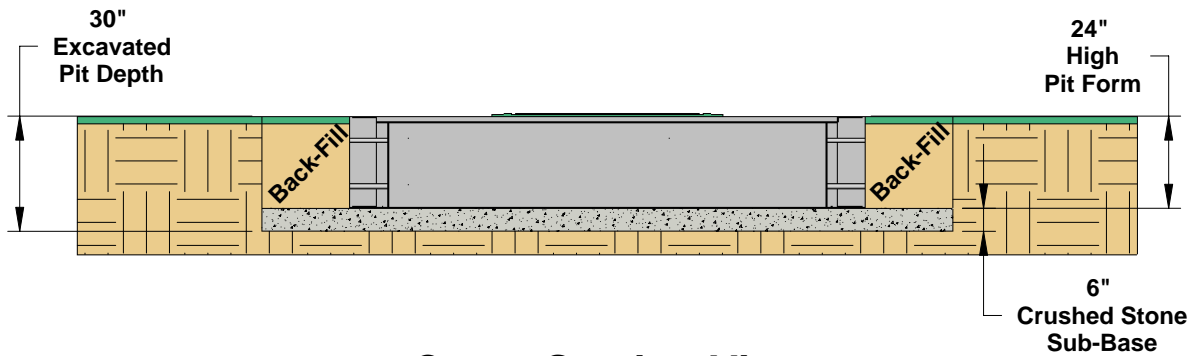
### Layout Specifications




**Isometric View**



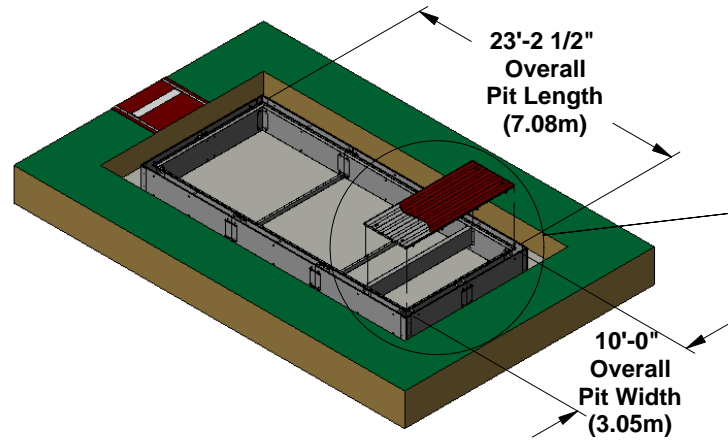
**Plan View**



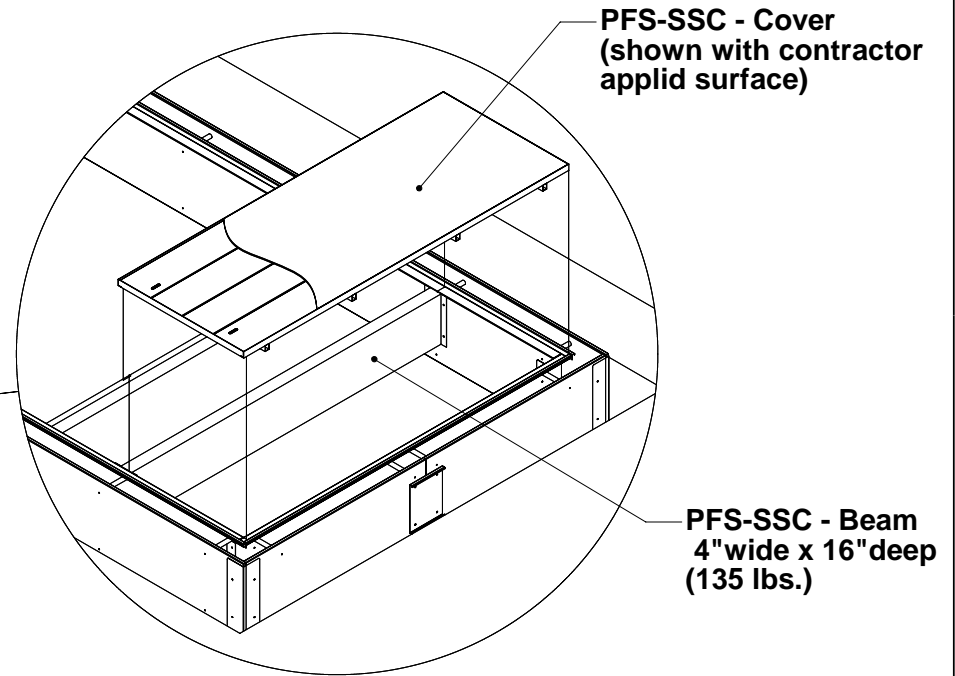
**Cross Section View**

 Aluminum Athletic Equipment 1000 Enterprise Drive, Royersford, PA 19468 Toll Free: (800) 523-5471 Phone: (610) 825-6565 www.aaesports.com			
DESCRIPTION:			
<b>PFS-HS- High School Pit Form - Layout Specifications</b>			
NOTE:			
Galvanized Pit Form Layout			
MODEL:	CATEGORY:	DATE:	
PFS-H	<b>CUSTOMER</b>	07/14/06	
DWN. BY:	CAD FILE:	DWG. NO.	
TAD	PFS-HS Layout Specs	PFS-HS-C-001	

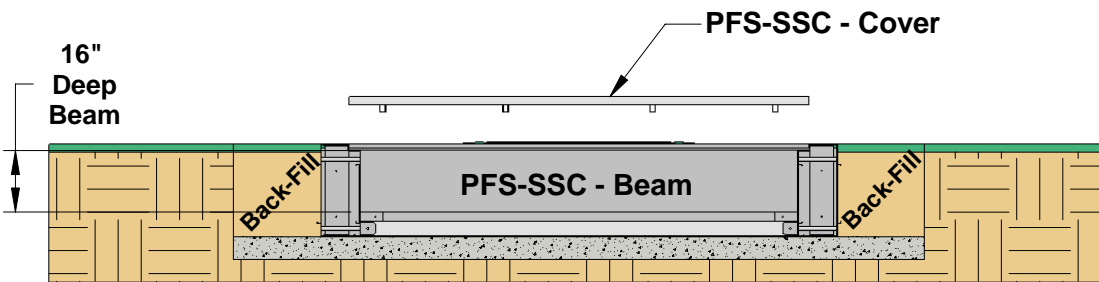
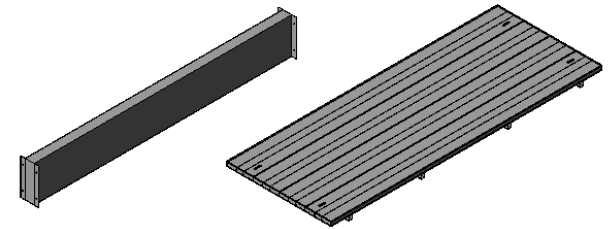
# PFS-SSC - Pit Form Sand Storage Compartment Layout Specifications



**Isometric View**



## PFS-SSC - Components



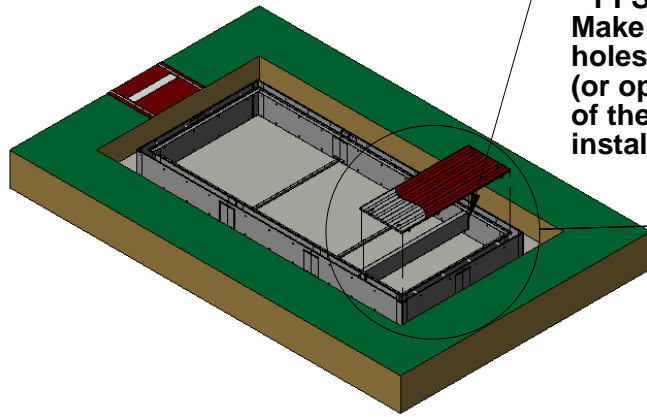
**Cross Section View**



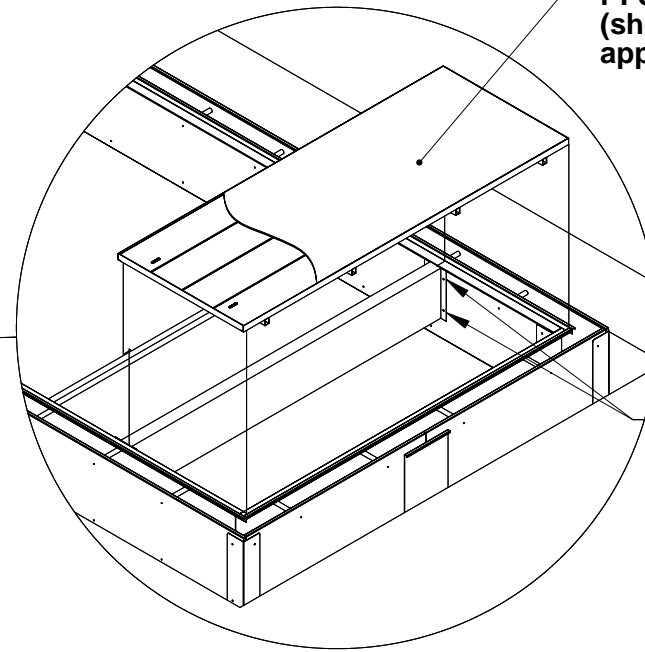
Aluminum Athletic Equipment  
1000 Enterprise Drive, Royersford, PA 19468  
Toll Free: (800) 523-5471 Phone: (610) 825-6565  
[www.aaesports.com](http://www.aaesports.com)

DESCRIPTION: <b>PFS-SSC- Sand Storage Compartment - Layout Specifications</b>		
NOTE: Beam with Cover		
MODEL: PFS-SSC	CATEGORY: <b>CUSTOMER</b>	DATE: 07/14/06
DWN. BY: TAD	CAD FILE: PFS-SSC Layout Specs	DWG. NO. PFS-SSC-C-001

# PFS-SSC - Assembly Sand Storage Compartment



**\*\*PFS-SSC Beam**  
Make Sure predrilled holes are on the far end (or opposite of the runway) of the pit form when installing

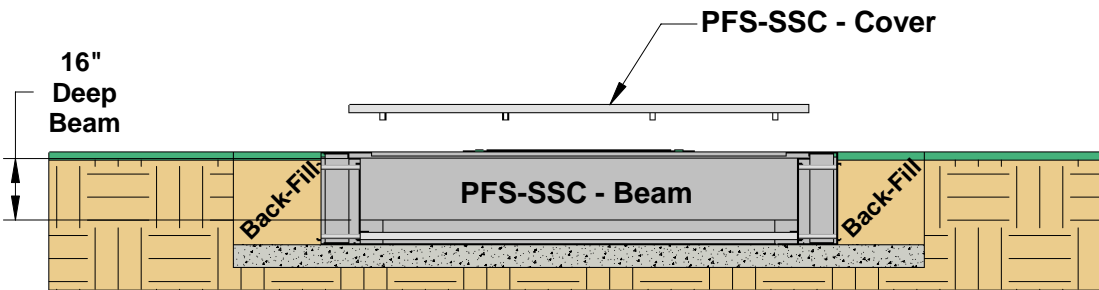
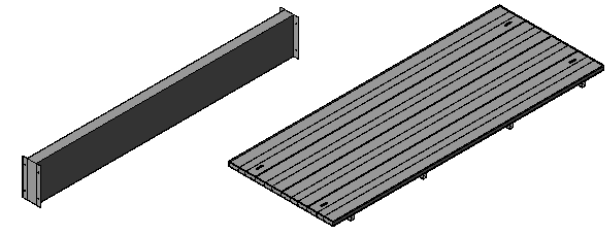


**PFS-SSC - Cover**  
(shown with contractor applied surface)

**Pre-drilled Installation Holes**  
(4 on both sides)

**Isometric View**

## PFS-SSC - Components



**Cross Section View**



Aluminum Athletic Equipment  
1000 Enterprise Drive, Royersford, PA 19468  
Toll Free: (800) 523-5471 Phone: (610) 825-6565  
[www.aaesports.com](http://www.aaesports.com)

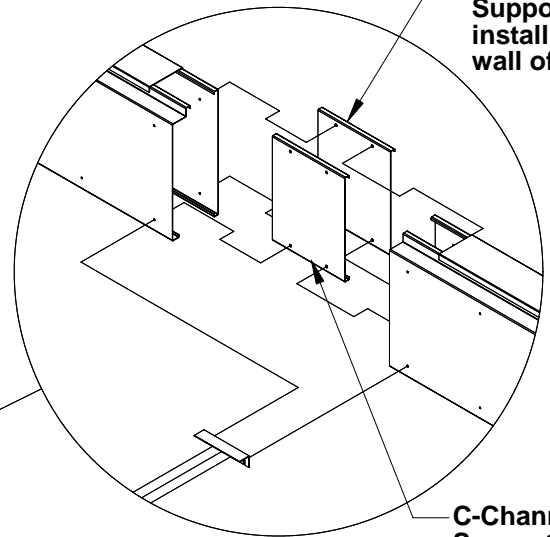
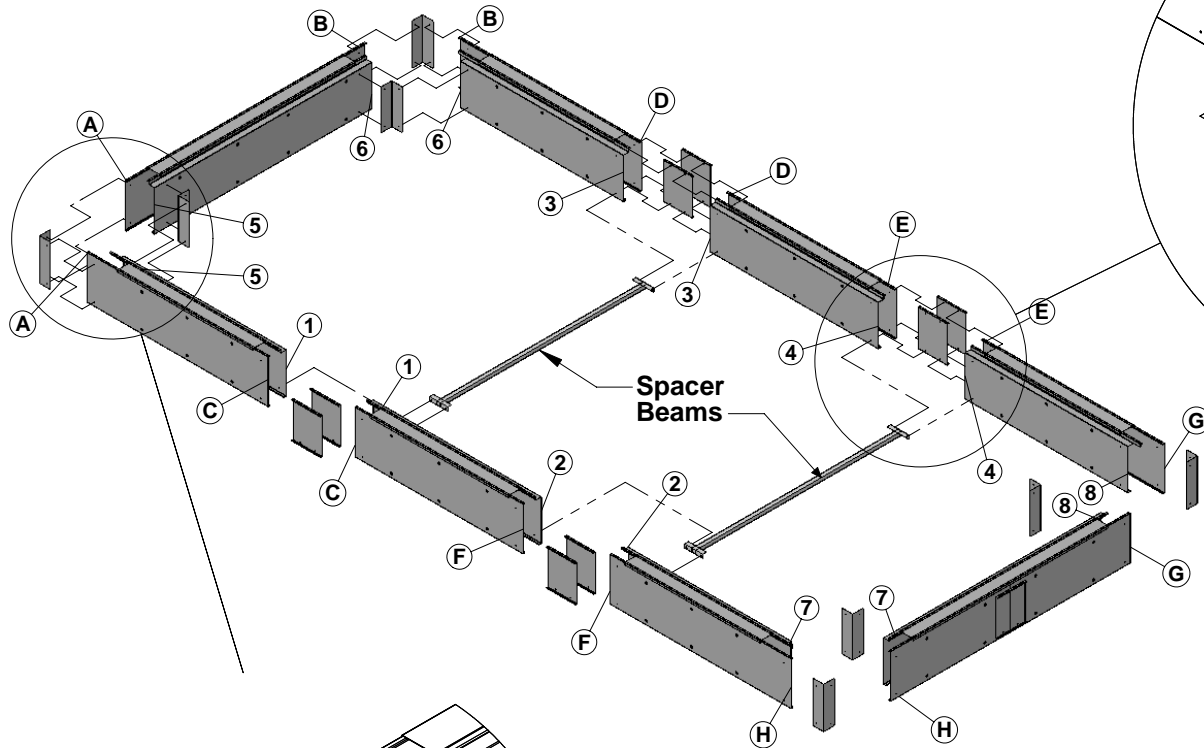
DESCRIPTION:  
**PFS-SSC- Sand Storage Compartment - Assembly**

NOTE:  
Beam with Cover

MODEL: PFS-SSC	CATEGORY: CUSTOMER	DATE: 07/14/06
-------------------	-----------------------	-------------------

DWN. BY: TAD	CAD FILE: PFS-SSC Assembly	DWG. NO. PFS-SSC-C-003
-----------------	-------------------------------	---------------------------

# PFS-HS Assembly

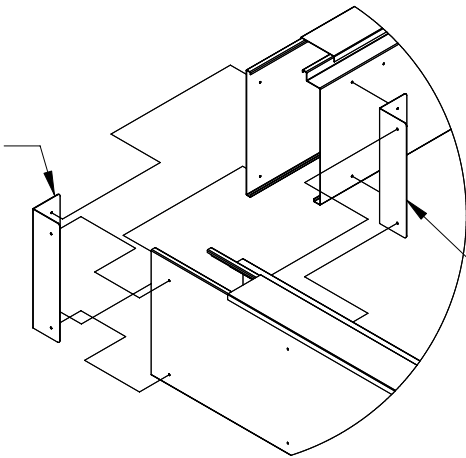


**DETAIL B**  
**SCALE 1 : 30**

C-Channel Support Brackets install on outside wall of form

C-Channel Support Brackets install on inside wall of form

Corner Support Brackets install on outside corner of form



**DETAIL A**  
**SCALE 1 : 30**

Corner Support Brackets install on inside corner of form

**Note: 16" long caps are to be installed last, once pit form is completely assembled.**



Aluminum Athletic Equipment  
1000 Enterprise Drive, Royersford, PA 19468  
Toll Free: (800) 523-5471 Phone: (610) 825-6565  
www.aaesports.com

DESCRIPTION:			<b>PFS-HS - Assembly</b>
NOTE:			PFS-HS Callout Assembly Sheet
MODEL:	CATEGORY:	DATE:	
PFS-HS	<b>CUSTOMER</b>	1/08/06	
DWN. BY:	CAD FILE:	DWG. NO.:	
TAD	PFS-HS Assembly	PFS-HS-C-002	

**PFS & SSC  
PIT FORM SYSTEM & SAND STORAGE COMPARTMENT  
INSTALLATION INSTRUCTIONS**

---

**A. PRE-INSTALLATION**

**Pit Form System: Placement**

1. Refer to architectural drawings and plans for the placement of the pit form system to be installed.

**Notes:**

*Long Jump Event for both NCAA Men's & HS Boy's take-off board are to be positioned 12' from the front inside edge of the pit to the edge of the take-off board closest to the pit. And 8' from the inside edge of the pit to the edge of the take-off board closest to the pit for HS Girls.*

2. PFS-HS: a pit shall be excavated (equally centered off the planned runway) at least 15' wide by 28' in length and a minimum of 34" below finished grade level.  
PFS-NCAA: a pit shall be excavated (equally centered off the planned runway) at least 15' wide by 36' in length and a minimum of 34" below finished grade level.
3. Use 2A modified crushed stone as the base surface and compact to 80% to 85% approximately 24-1/2" below finished grade level (or top of track surface)
4. Level pit area out and fill any uneven surfaces, make sure to compact area again.

**B. ASSEMBLY**

AAE's Pit Forms come pre-assembled in sections to assist the customer!

1. **IMPORTANT NOTE:**  
If a PFS-SSC Sand Storage Compartment was purchased; Make Sure to install with the PFS-SSC Installation Holes on the far end of the pit! Furthest side from the runway!
2. For reference, the distance from the inside edge of the pit to the first take-off board on the runway should be 8'-0".
3. Use a string-line and center the line down the runway and place at far end of pit form excavation area. Center form between A & B and G & H.
4. Refer to drawing PFS-HS-C-002, and assemble accordingly using stainless steel hardware, C-Channel Supports Brackets, Corner Support Brackets, and Form Caps.
5. Install the included aluminum "Spacer Beams" to help maintain the correct width of the pit. Also cut 3 pieces of 2x4 at a length of 120" to shim between the top ledge of the pit for temporary install before Step #8- Before Back-Filling.
6. Squaring the pit form: Measure diagonally between corners B & H and A & G. Dimension should be approximately 322-1/2" .

## PFS & SSC PIT FORM SYSTEM & SAND STORAGE COMPARTMENT INSTALLATION INSTRUCTIONS

---

7. Screw in 16" long Access Caps at C,D,E & F locations and Corner caps at A,B,G & H.
- 8.. Before Back-Filling: Make sure pit form is plumb and centered accordingly. Place cut 2x4x120" temporary supports and space evenly along the length of the pit form between ledges. Use rebar stakes, two on each corner to keep form from shifting
9. Back-Filling: Using the excavated soil back-fill the outside of the form halfway. Pour approximately 8" of crushed stone on the inside of the pit and spread evenly. This will help ensure the anchoring of the pit form walls.
10. Geotextile: Use geotextile material on top of the level crushed stone. This will keep sand from filtering through the crushed stone.
11. 2<sup>nd</sup> Back Filling: Use remained of excavated dirt and back-fill the second half of the outside edges of the pit. Raise to the level needed to asphalt around the pit form for track surface (same for grass or artificial turf).
12. Fill remainder of pit with sand to the top caps. DO NOT fill SSC, since this is used as a storage cavity for sand when the covers are installed.

### **C. PFS-HS & PFS-SSC Panels**

The Pit form panels is designed with a 1/2" recess for application of synthetic material. **Consult local sports surfacing company for application of synthetic material.**

### **D. OPERATION, CARE & SPECIAL INSTRUCTIONS:**

1. When Pit Form **is** in use, covers and hardware should be removed from the pit, with exception to the SSC Cover. Make sure all hardware is retrieved after dis-assembly to prevent against accidental injury.
2. When the Pit Form **is not** in use, covers should be installed. The SSC Cover should be installed at **all** times.
3. The Pit Form Covers are designed to cover the water jump pit primarily for safety and to add extra field area for athletes. The Cover **is not** designed to withstand or support grounds equipment or vehicular traffic.

**FOR TECHNICAL ASSISTANCE, CALL 1-800-523-5471**