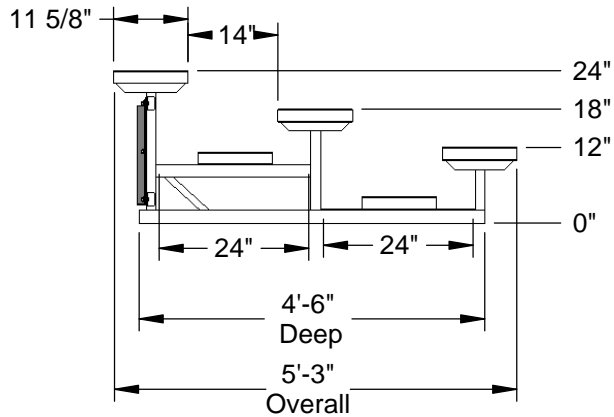
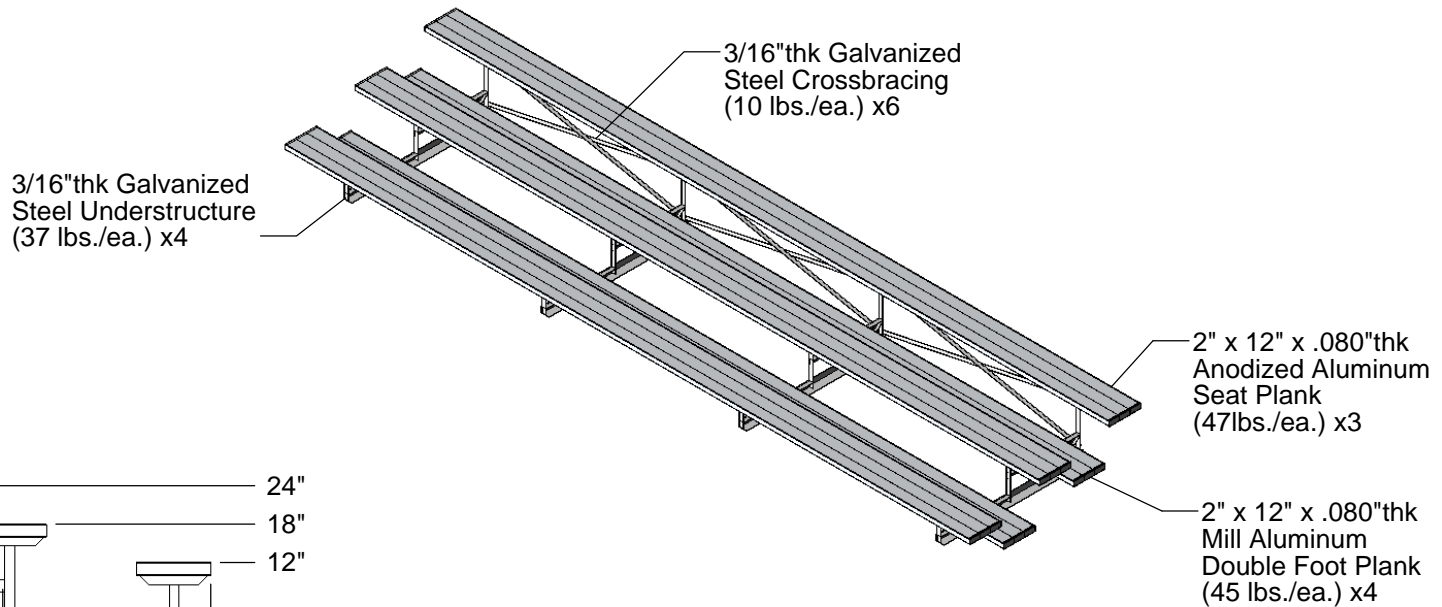
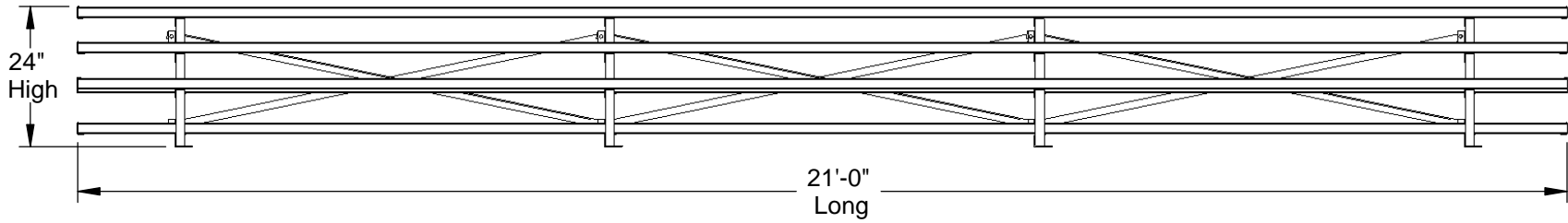



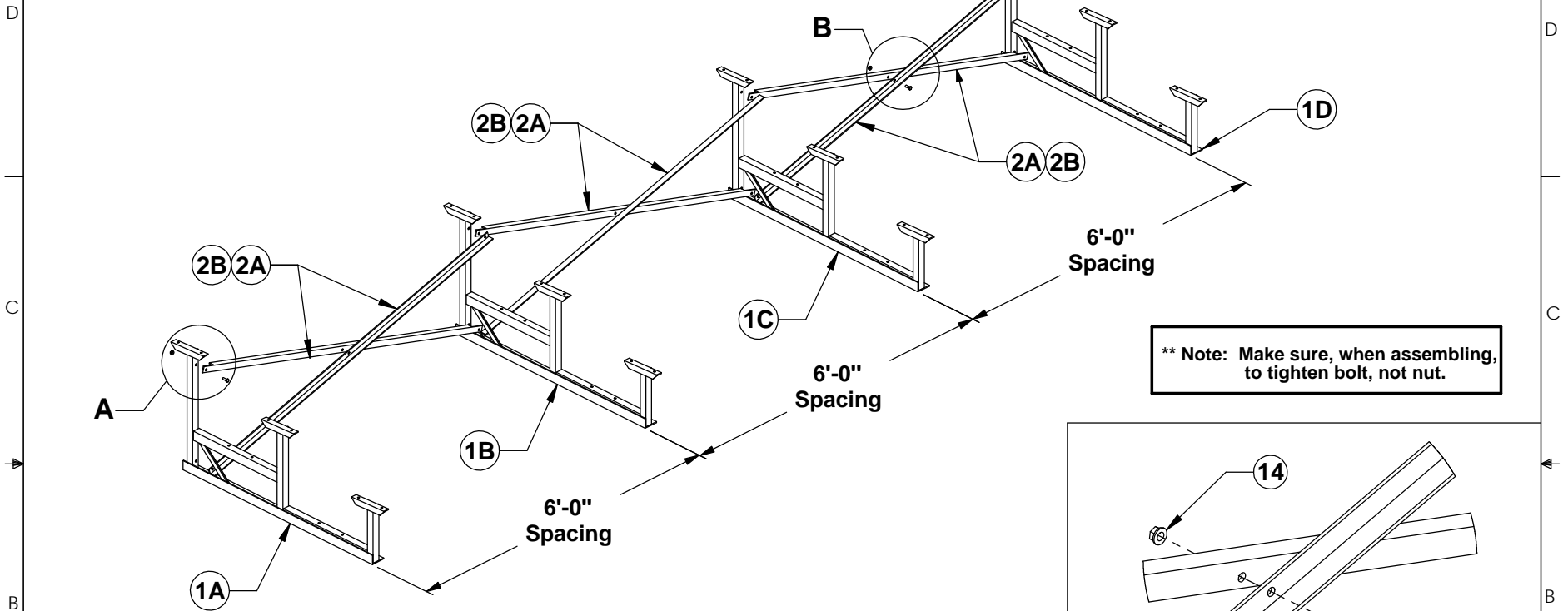
PB-321-ICC - 3 Row Bleacher Specifications



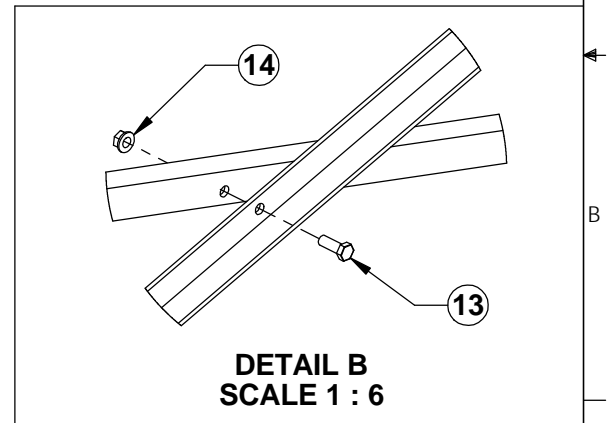
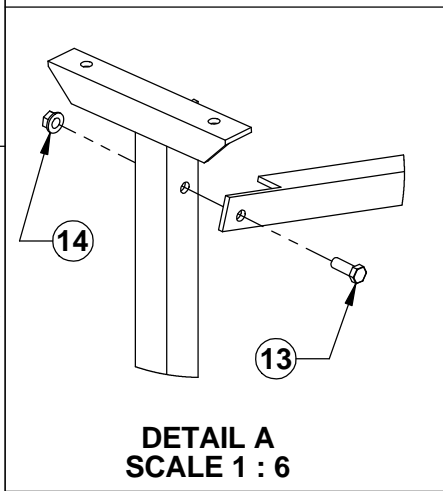
Notes:
 - Overall Weight 525lbs.
 - Meets ICC Bleacher Codes

 Aluminum Athletic Equipment 1000 Enterprise Drive, Royersford, PA 19468 Toll Free: (800) 523-5471 Fax: (610) 825-2378 www.aaesports.com			
DESCRIPTION			
PB-321-ICC - 3 Row Bleacher - Specifications			
NOTE:			
21' long bleacher			
MODEL:	CATEGORY:	DATE:	
PB-321-ICC	CUSTOMER	7/18/13	
DWN. BY:	CAD FILE:	DWG. NO.	
TAD	PB-321-ICC - Specifications	PB-321-ICC-C-001	

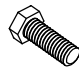

PB-321/ICC - Step No. 1
Steel Frames & Crossbracing Assembly



**** Note: Make sure, when assembling, to tighten bolt, not nut.**



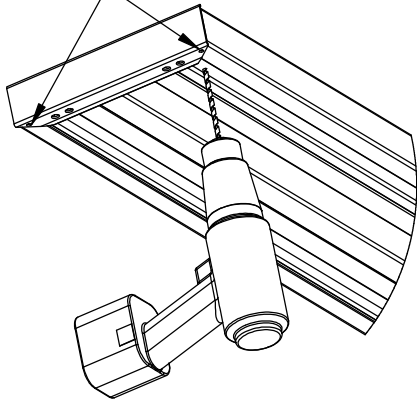
Hardware Used in this Step:

-  1) 3/8"-16 x 1" S.S. Bolts (Item No.13) = 11 total
-  2) 3/8"-16 S.S. Wiz-loc Nuts (Item No.14) = 11 total

AAE			
Aluminum Athletic Equipment 4 Portland Road, West Conshohocken, PA 19428 Phone: (610) 825-6565 Toll Free: (800) 523-5471			
DESCRIPTION		PB-321/ICC - Step No.1	
NOTE: Galvanized Steel Frame & Crossbracing Assembly			
MODEL:	PB-321/ICC	CATEGORY:	CUSTOMER
		DATE:	11/29/01
DRAWN BY:	TAD	DETAIL:	Assembly - Step No.1
		DWG. NO.:	PB-321_ICC-C-001

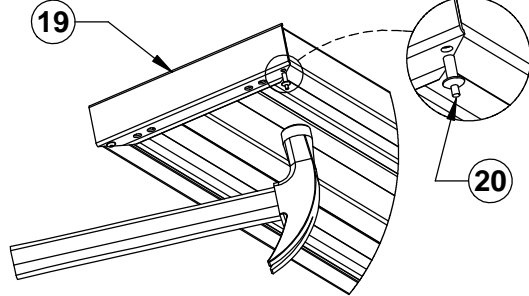
PB-321/ICC Step No. 2
Attaching End Caps &
Planking Assembly

2 Holes



Drilling End Caps
 (for attachment to planks)

19

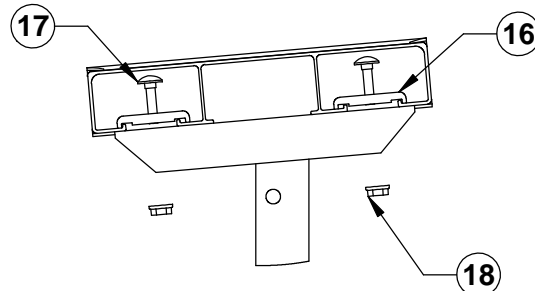
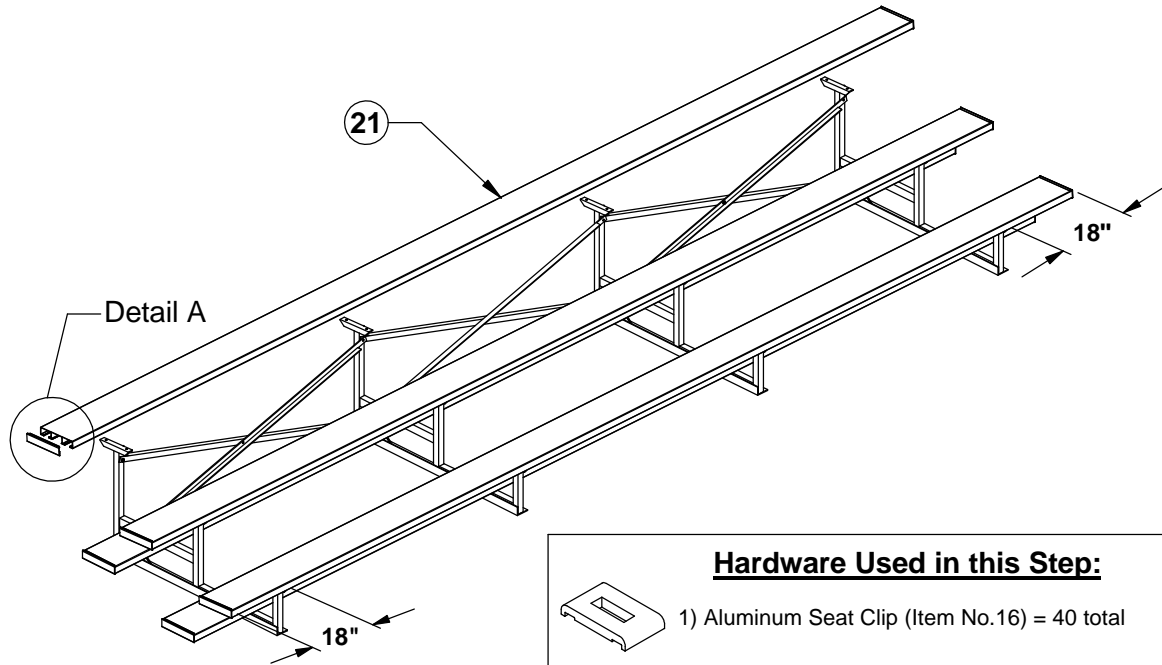


Riveting End Caps
 (for permanent attachment)

Tools Required:





- 1) 1/2" - Ratchet
- 2) 9/16" - Ratchet
- 3) Hand Drill with 3/16" drill bit
- 4) Hammer

****Note: When assembling crossbracing, make sure to tighten the bolt end, not the nut**



DETAIL A
Attaching Planks

Hardware Used in this Step:

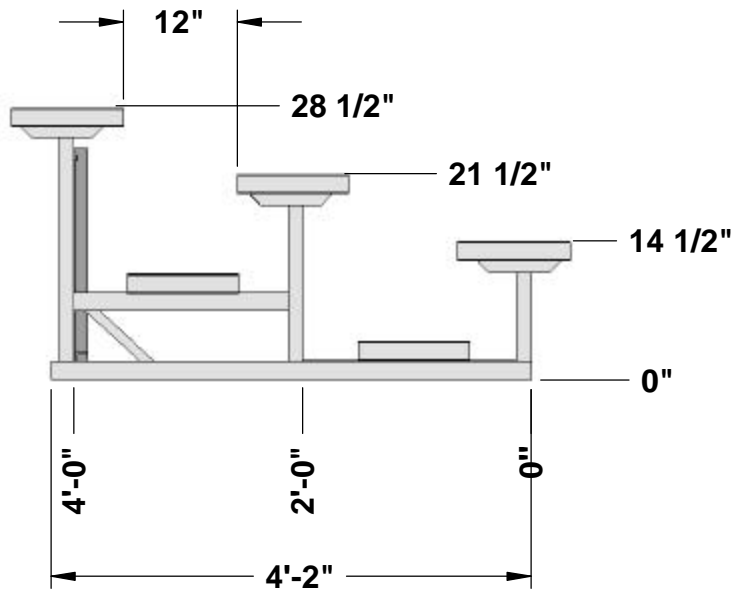
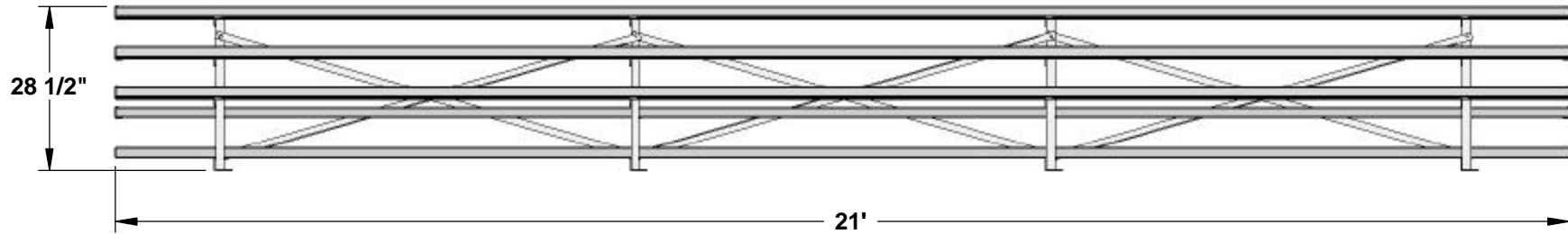
-  1) Aluminum Seat Clip (Item No.16) = 40 total
-  2) 1/4"-20 x 1" S.S. Carriage Bolt (Item No.17) = 40 total
-  3) 1/4"-20 S.S. Wiz-loc Nuts (Item No.18) = 40 total
-  4) 3/16" Aluminum Rivet (Item No.20) = 20 total



Aluminum Athletic Equipment
 4 Portland Road, West Conshohocken, PA 19428
 Phone: (610) 825-6565 Toll Free: (800) 523-5471

DESCRIPTION		
PB-321/ICC - Step No. 2		
NOTE: Drilling End Caps & Planking Assembly		
MODEL: PB-321/ICC	CATEGORY: CUSTOMER	DATE: 11/30/01
DRAWN BY: TAD	CAD FILE: PB-321/ICC Step No. 2	DWG. NO. PB-321_ICC-C-002

PB-321/ICC Specifications



Material:

Galvanized Steel Frames
Aluminum Planking and Seat Clips
Stainless Steel Hardware



Aluminum Athletic Equipment
 4 Portland Road, West Conshohocken, PA 19428
 Phone: (610) 825-6565 Toll Free: (800) 523-5471

DESCRIPTION		
PB-321/ICC - Specifications		
NOTE: Single Footboards		
MODEL: PB-321/ICC	CATEGORY: CUSTOMER	DATE: 6/4/03
DWN. BY: TAD	CAD FILE: PB-321_ICC Specifications	DWG. NO. PB-321_ICC-C-004

**PB-321/ICC
(SINGLE FOOTBOARDS)
ASSEMBLY INSTRUCTIONS**

Step No. 1

Refer to Drawing: **Steel Frames & Crossbracing Assembly**

(*Make sure to ratchet the bolt, not the wiz-loc nut!)

1. Attach all crossbracing together at their center holes before attaching to bleacher frames using 3/8"-16 x 1" bolts and 3/8"-16 wiz-loc nuts (Item Nos.13 & 14).
(See "Detail B")
(ex: 2A to 2B for each side)
2. Evenly position bleacher frames (Item Nos.1A/1B/1C/1D) approximately 6 feet apart.
3. Scissor crossbracing (Item Nos.2A/2B) and attach to bleacher frames using 3/8"-16 x 1" bolts and 3/8"-16 wiz-loc nuts (Item Nos. 13 & 14).
(See "Detail A")

Step No. 2

Refer to Drawing: **Attaching End Caps & Planking**

1. Place End Caps (Item No.19) on Planks (Item No.21) and make sure they are even with the sides of the planks.
2. Using a hand drill with a 3/16" drill bit, drill through the planks where the pre-drilled holes are on the 2 outer holes on the end caps.
(See "Drilling End Caps" Detail)
3. Align 3/16" aluminum rivets (Item No.20) with newly drilled holes & hit the rivet head using any type of hammer.
(See "Riveting End Caps" Detail)
4. Attach seat and foot planks to bleacher frame accordingly **(See "Detail A")**. Each plank should overhang bleacher frame by 18" on each side. Each plank attaches to the frames at 8 locations. Tighten and check all connections.

FOR TECHNICAL ASSISTANCE, CALL 1-800-523-5471