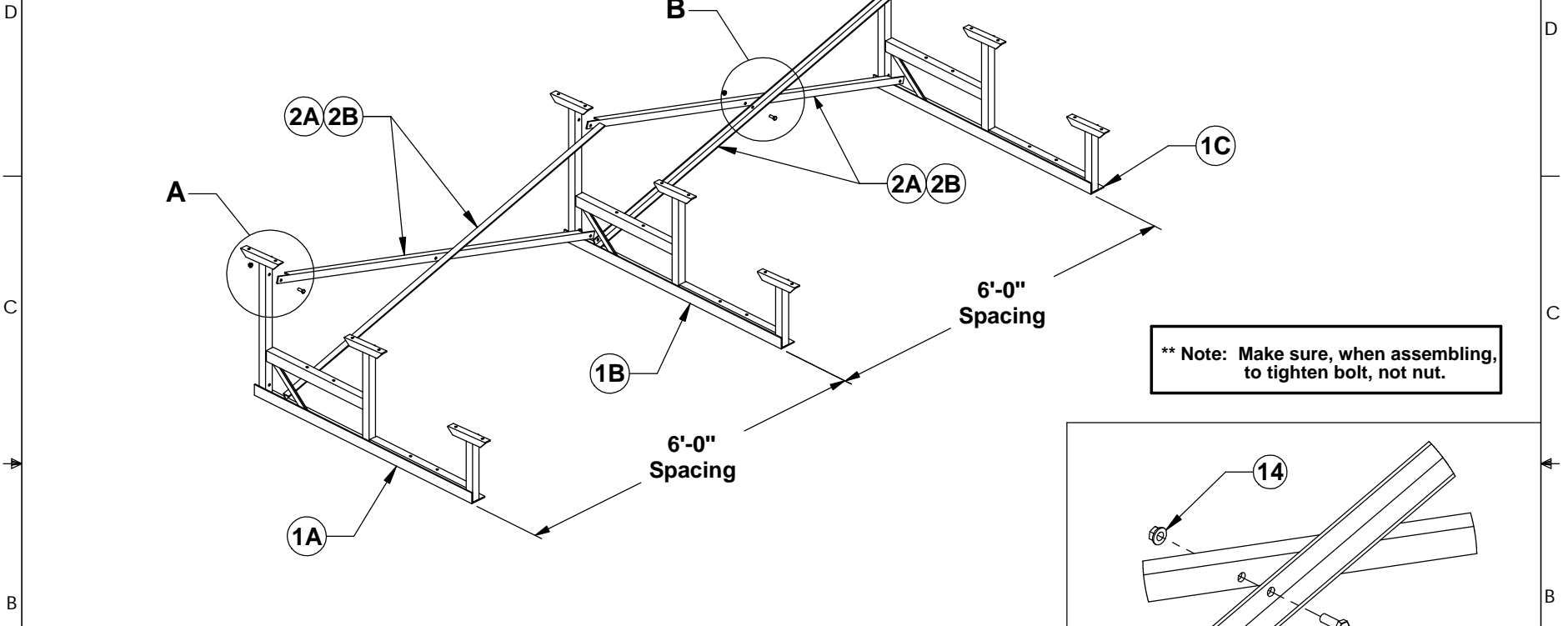
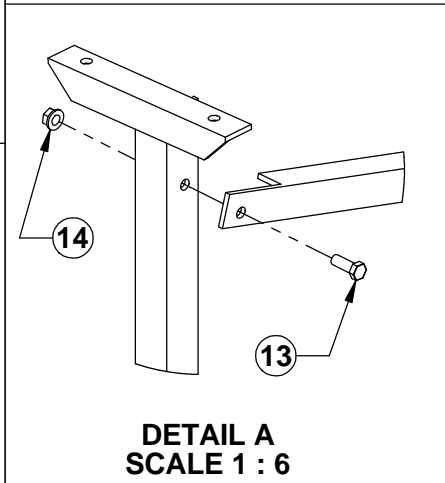
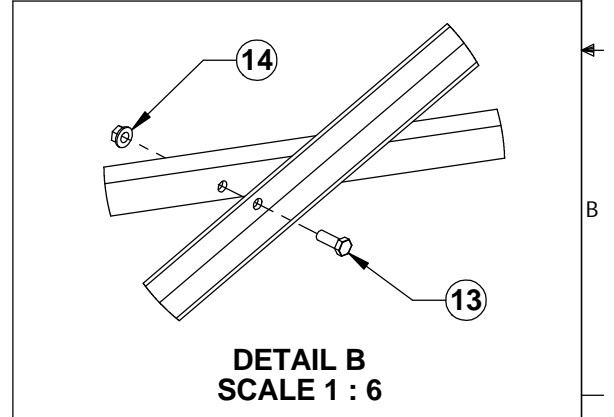


8 7 6 5 4 3 2 1



PB-315/ICC - Step No. 1
Steel Frames & Crossbracing Assembly




**** Note: Make sure, when assembling, to tighten bolt, not nut.**



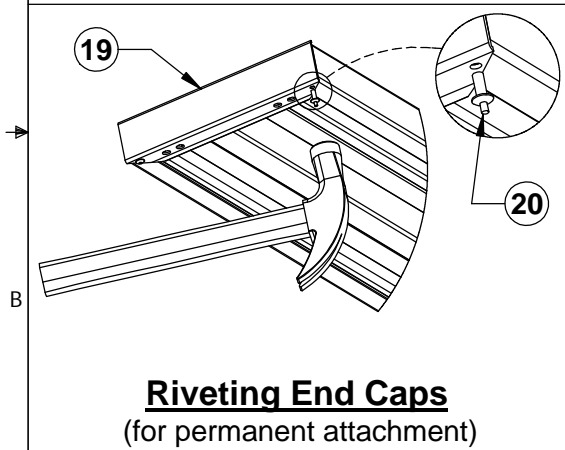
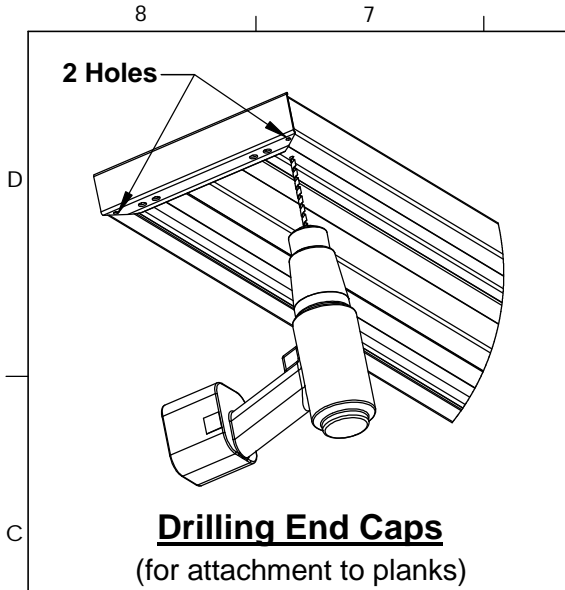
Hardware Used in this Step:

-  1) 3/8"-16 x 1" S.S. Bolts (Item No.13) = 8 total
-  2) 3/8"-16 S.S. Wiz-loc Nuts (Item No.14) = 8 total

6 5 4 3 2 1

 Aluminum Athletic Equipment 4 Portland Road, West Conshohocken, PA 19428 Phone: (610) 825-6565 Toll Free: (800) 523-5471		
DESCRIPTION		
PB-315/ICC - Step No.1		
NOTE: Galvanized Steel Frame & Crossbracing Assembly		
MODEL:	CATEGORY:	DATE:
PB-315/ICC	CUSTOMER	11/29/01
DRAWN BY:	DETAIL:	DWG. NO.:
TAD	Assembly - Step No.1	PB-315_ICC-C-001

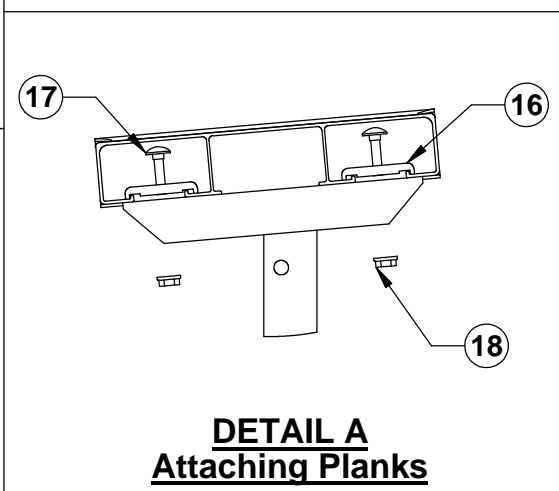
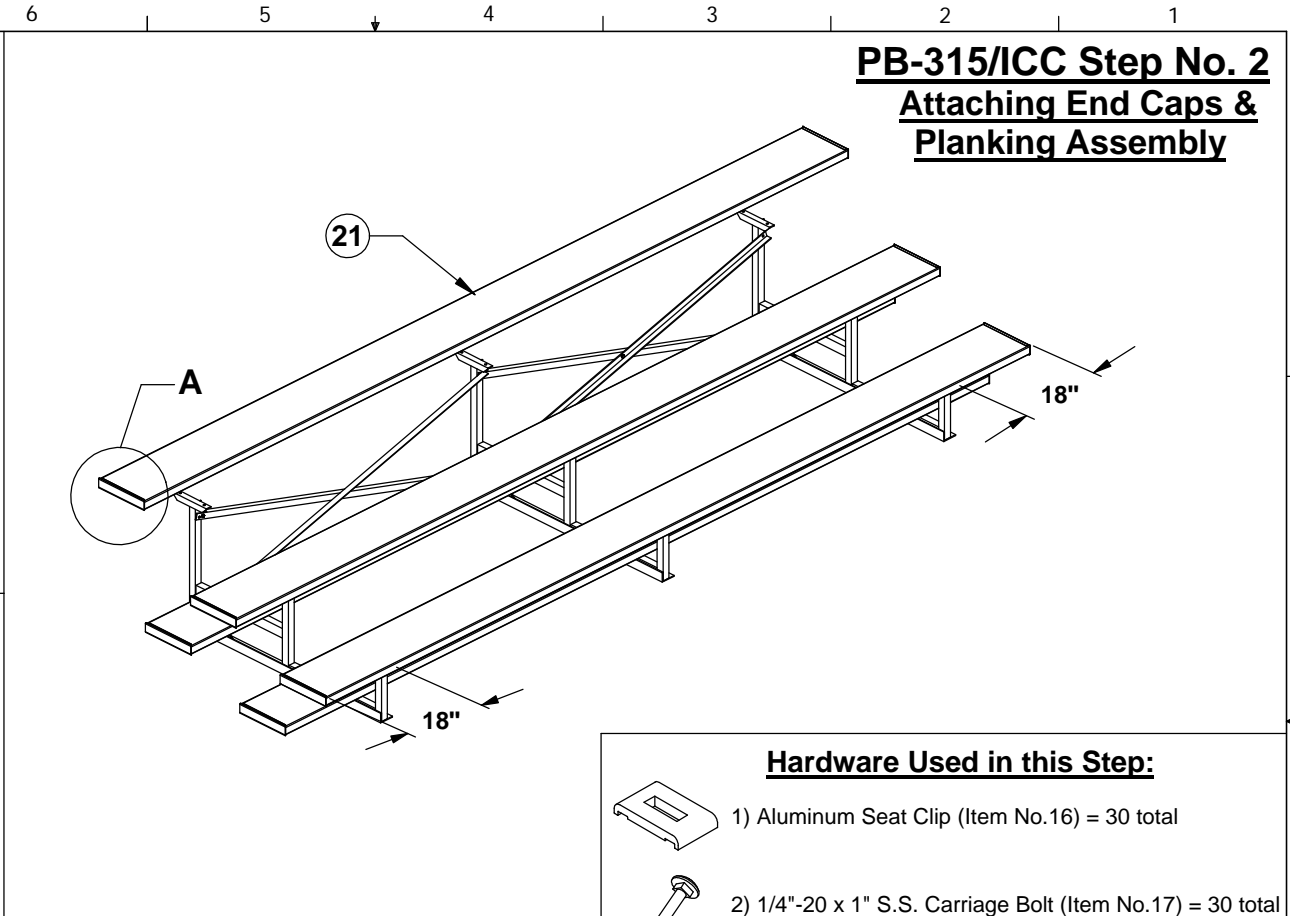
PB-315/ICC Step No. 2
Attaching End Caps & Planking Assembly



Tools Required:

- 1) 1/2" - Ratchet
- 2) 9/16" - Ratchet
- 3) Hand Drill with 3/16" drill bit
- 4) Hammer

****Note: When assembling crossbracing, make sure to tighten the bolt end, not the nut**

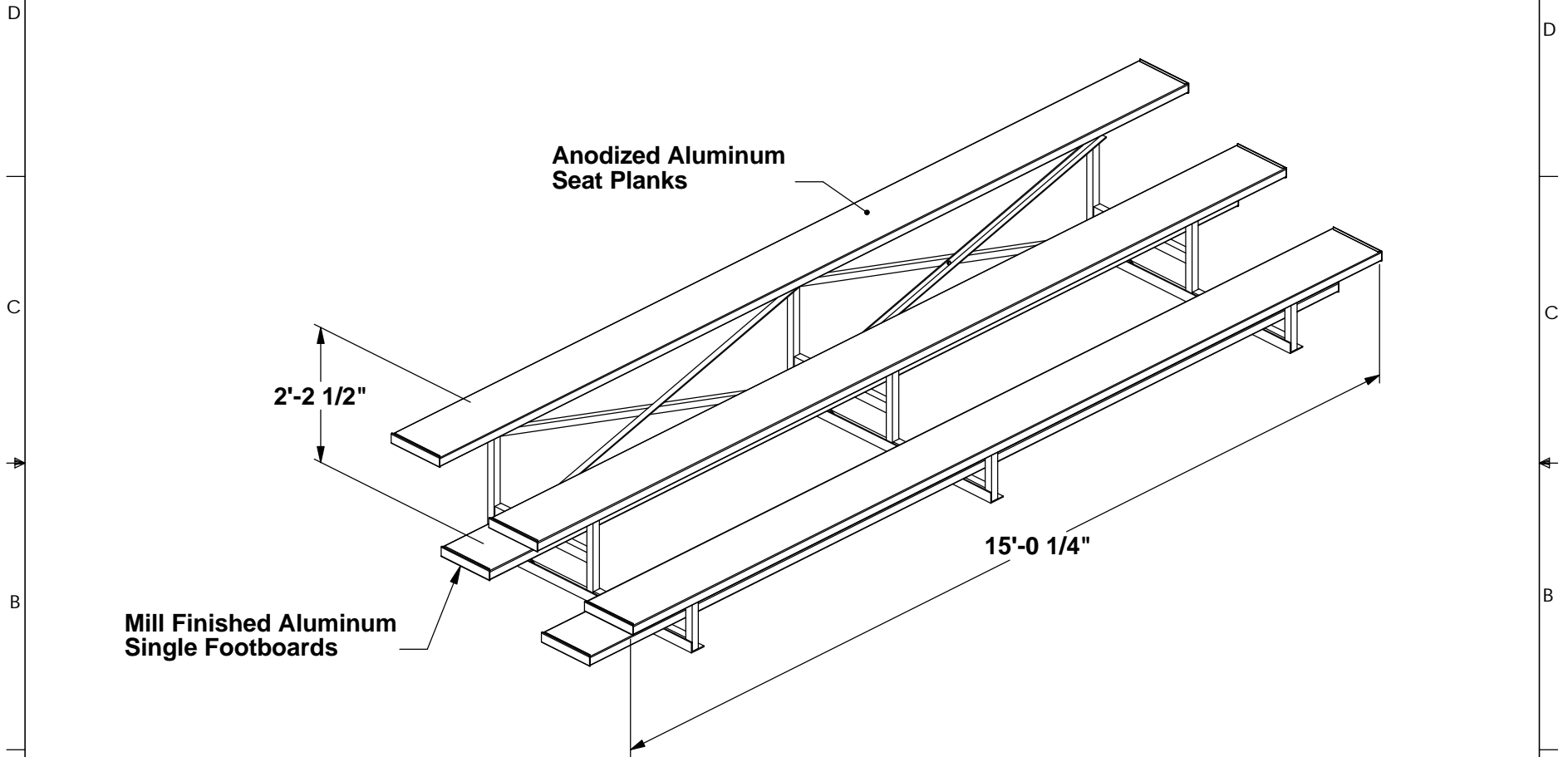


- Hardware Used in this Step:**
- 1) Aluminum Seat Clip (Item No.16) = 30 total
 - 2) 1/4"-20 x 1" S.S. Carriage Bolt (Item No.17) = 30 total
 - 3) 1/4"-20 S.S. Wiz-loc Nuts (Item No.18) = 30 total
 - 4) 3/16" Aluminum Rivet (Item No.20) = 20 total

Aluminum Athletic Equipment 4 Portland Road, West Conshohocken, PA 19428 Phone: (610) 825-6565 Toll Free: (800) 523-5471		
DESCRIPTION PB-315/ICC - Step No. 2		
NOTE: Drilling End Caps & Planking Assembly		
MODEL: PB-315/ICC	CATEGORY: CUSTOMER	DATE: 11/30/01
DRAWN BY: TAD	DETAIL: Assembly - Step No. 2	DWG. NO.: PB-315_ICC-C-002

PB-315/ICC General Specifications

Single Footboards



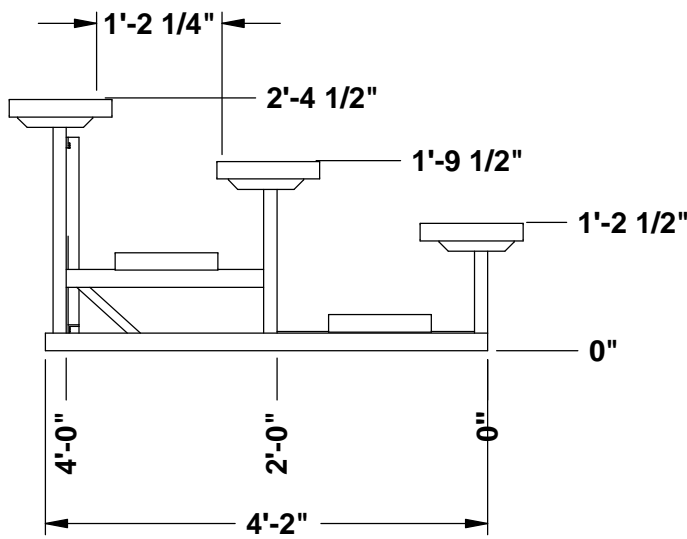
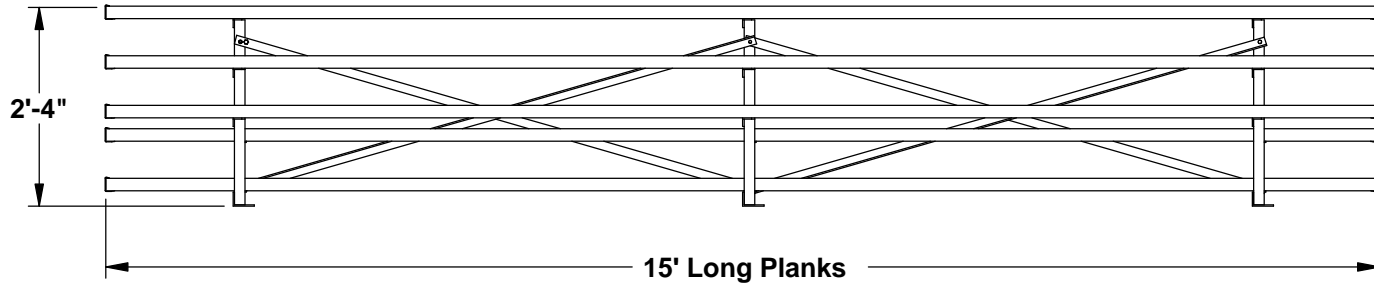
Overall Weight = 298 lbs.



Aluminum Athletic Equipment
 4 Portland Road, West Conshohocken, PA 19428
 Phone: (610) 825-6565 Toll Free: (800) 523-5471

DESCRIPTION		
PB-315/ICC - General Specifications		
NOTE: 15' lg. / 3 Row / Single Footboards		
MODEL: PB-315/ICC	CATEGORY: CUSTOMER	DATE: 12/5/01
DRAWN BY: TAD	DETAIL: General Specifications	DWG. NO. PB-315_ICC-C-003

PB-315/ICC Specifications



Material:

Galvanized Steel Frames
 Aluminum Planking and Seat Clips
 Stainless Steel Hardware

 Aluminum Athletic Equipment 4 Portland Road, West Conshohocken, PA 19428 Phone: (610) 825-6565 Toll Free: (800) 523-5471		
DESCRIPTION		
PB-315/ICC - Specifications		
NOTE:		
Single Footboards		
MODEL:	CATEGORY:	DATE:
PB-315/ICC	CUSTOMER	12/5/01
DRAWN BY:	DETAIL:	DWG. NO.:
TAD	Specifications	PB-315_ICC-C-004