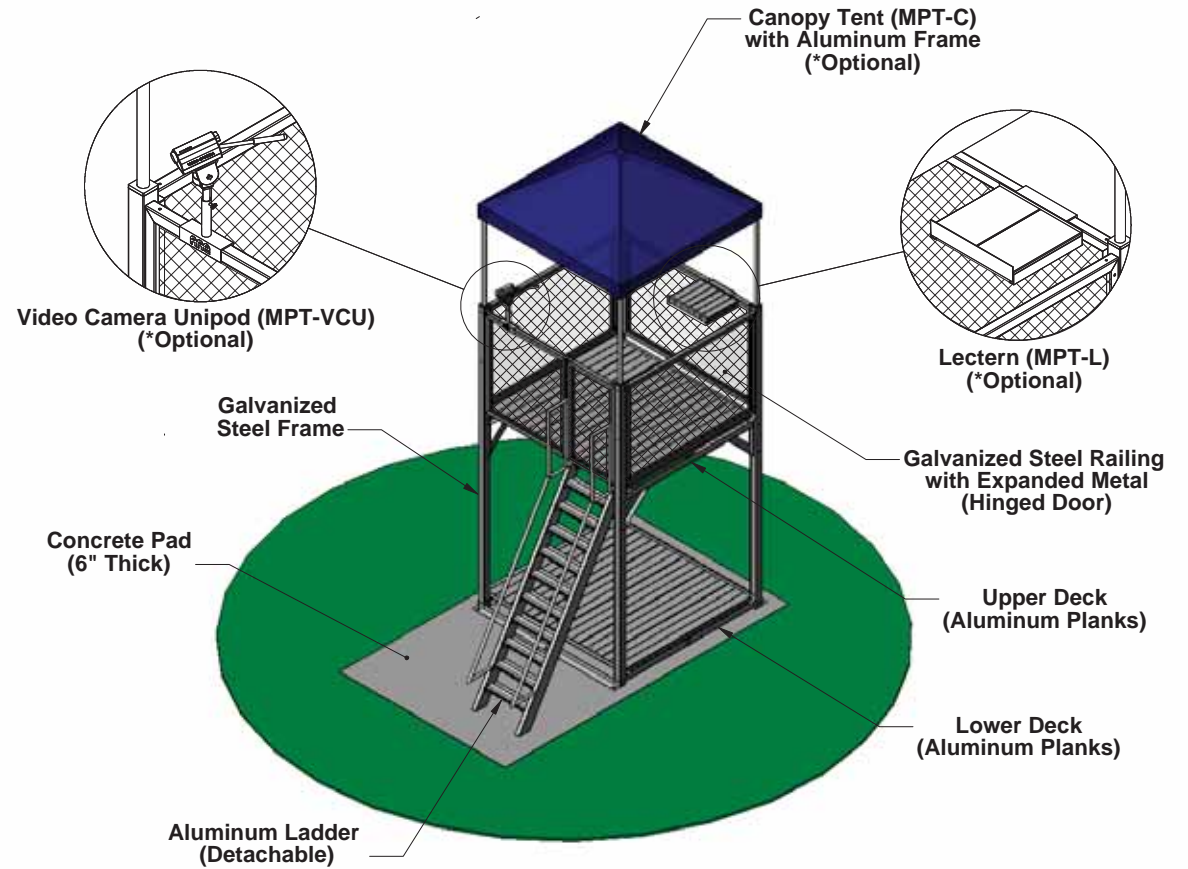
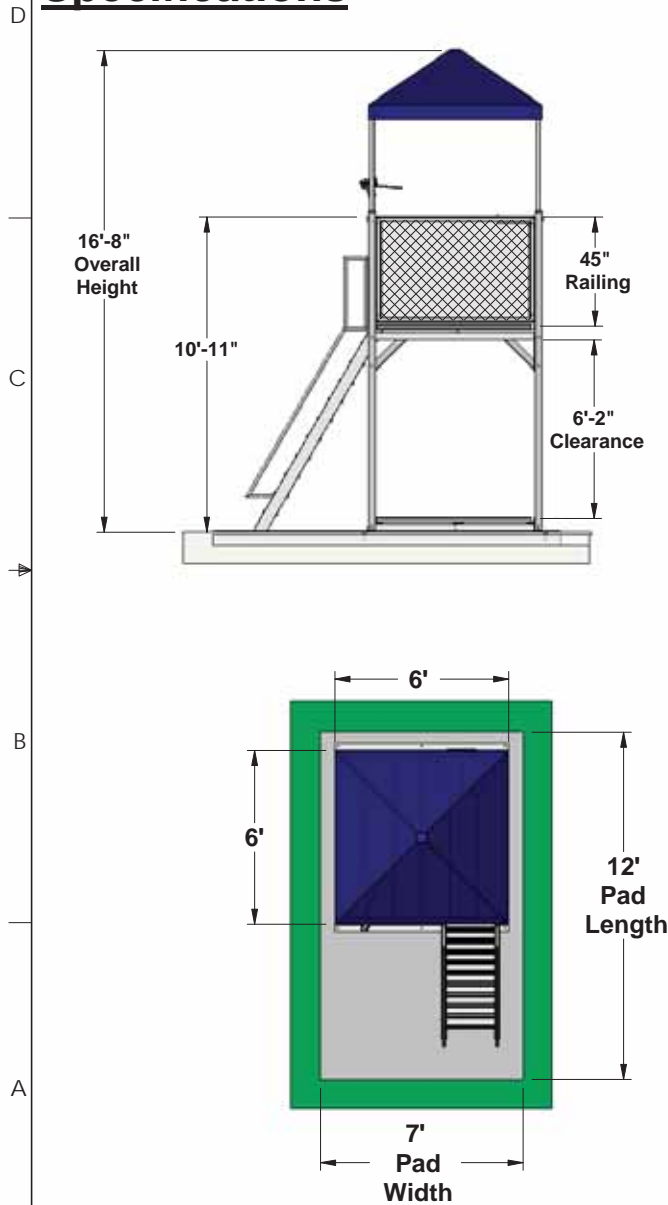


# MPT (6' x 6')

## Multi-Purpose Tower Specifications



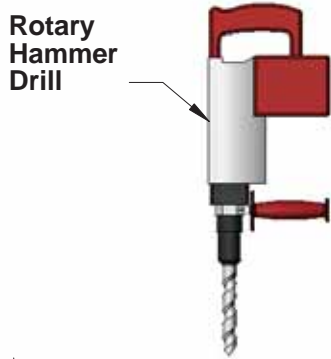
Approximate Weight = 1200 lbs.



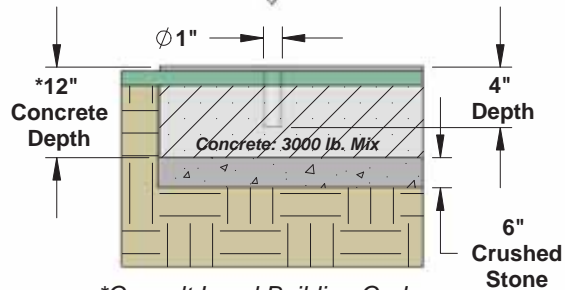
Aluminum Athletic Equipment  
4 Portland Road, West Conshohocken, PA 19428  
Phone: (610) 825-6565 Toll Free: (800) 523-5471

DESCRIPTION		
<b>MPT (6' x 6') - Multi-Purpose Tower - Specifications</b>		
NOTE: Multi-Purpose - Coach's/Video/Announcer's/Scorer's Tower		
MODEL:	CATEGORY:	DATE:
MPT-6x6	CUSTOMER	2/28/03
DWN. BY:	CAD FILE:	DWG. NO.:
TAD	MPT-6x6 Specifications	MPT-6x6-C-001

# MPT - Multi-Purpose Tower Installation Instructions

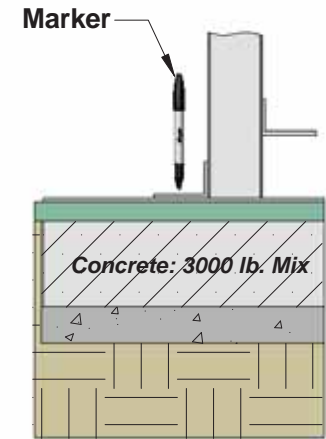
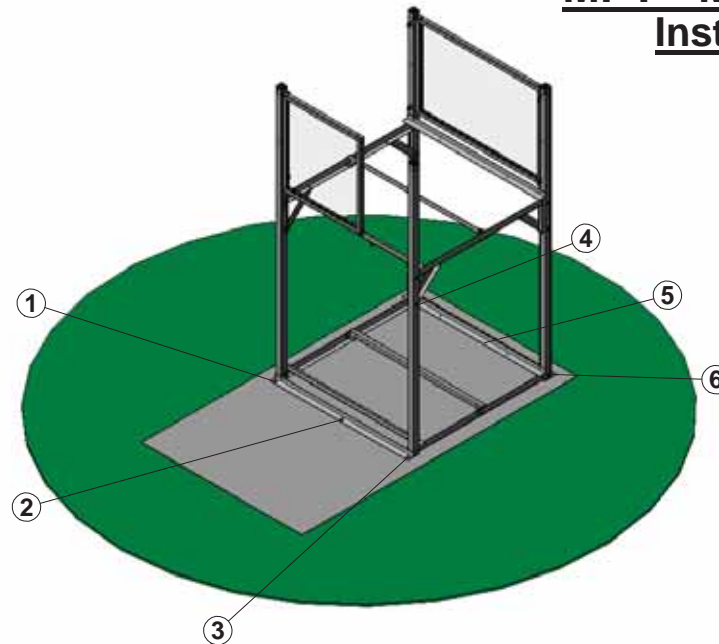


Rotary Hammer Drill



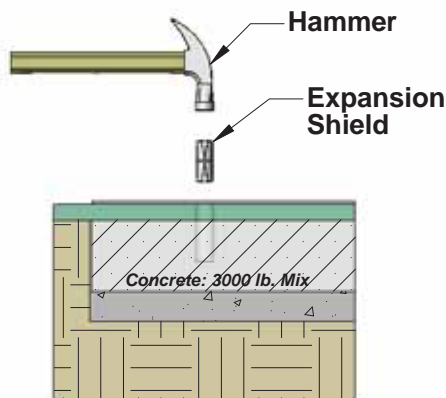
\*Consult Local Building Codes.

**Step 5:**  
Using a heavy-duty rotary hammer drill and a 1" concrete bit, at each (6) marked spot, drill approximately 4" down into the concrete.

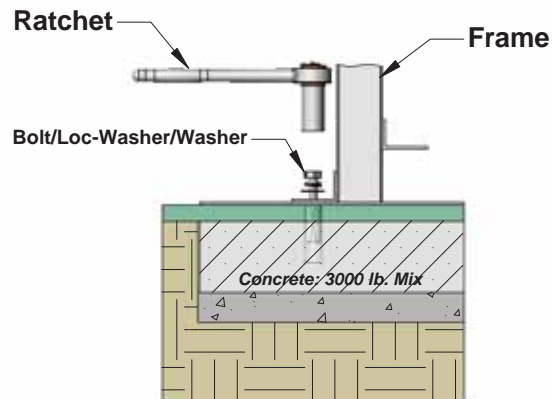


## Installation Steps (1 thru 7)

- Step 1:** Set up the MPT Frame on the pad in its correct position.  
**Step 2:** Find the 6 hole locations (on the angle) to anchor tower.  
**Step 3:** Mark all 6 hole locations on the concrete.  
**Step 4:** Move the tower frame off of the pad, or forward so that the marks are able to be seen.



**Step 6:**  
Use a hammer and slightly tap expansion shields into each of the 6 pre-drilled holes.



**Step 7:**  
Use a Ratchet to secure the MPT Bottom Frame angle to the pad.

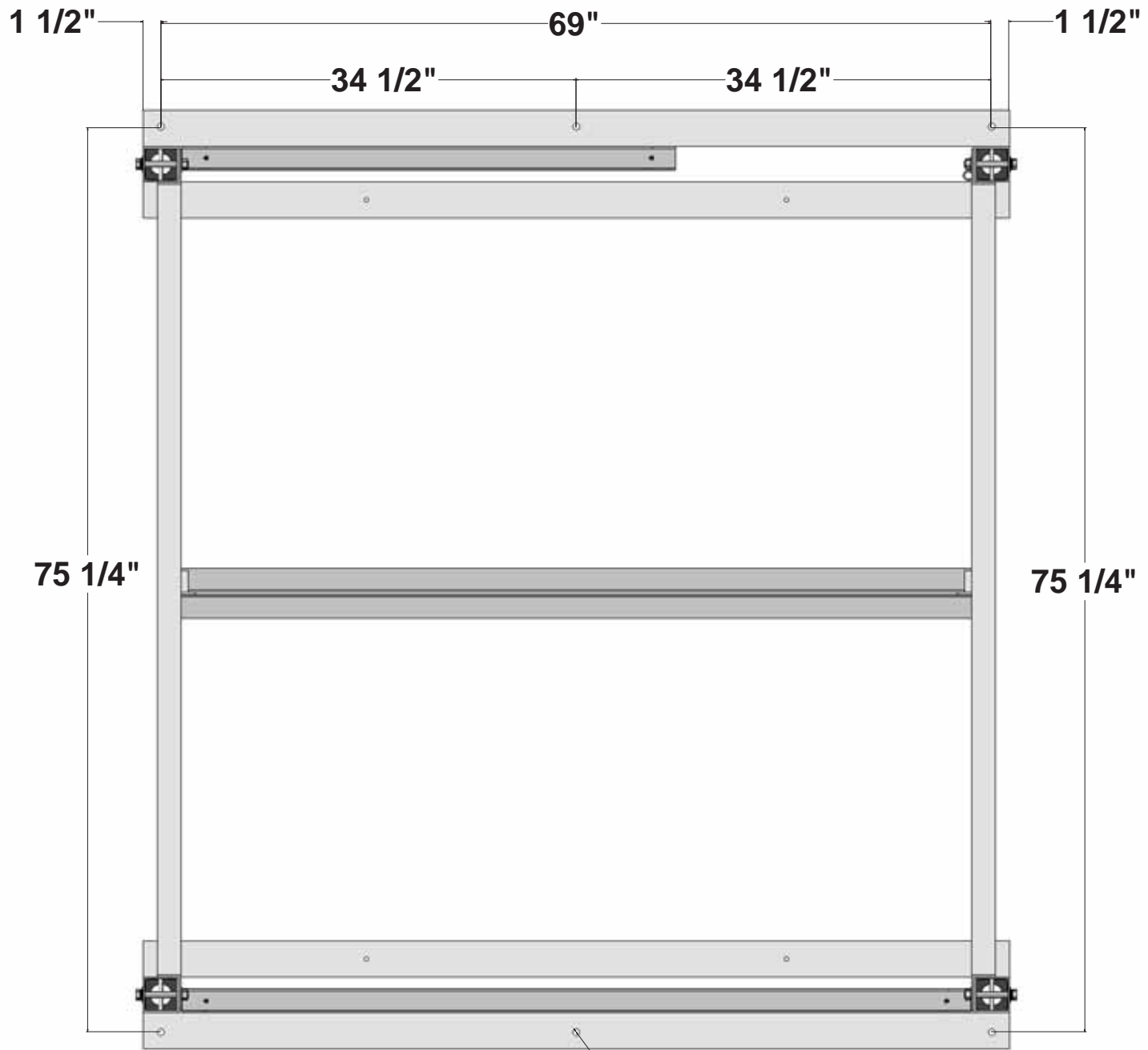
## Tools Required:

- 1) Ratchet Set
- 2) Heavy-duty Rotary Hammer Drill
- 3) Hammer
- 4) Marker



Aluminum Athletic Equipment  
 4 Portland Road, West Conshohocken, PA 19428  
 Phone: (610) 825-6565 Toll Free: (800) 523-5471

DESCRIPTION		
<b>MPT - Multi-Purpose Tower - Installation Instructions</b>		
NOTE: Installation to a 4000 lb. mix concrete pad		
MODEL:	CATEGORY:	DATE:
MPT	CUSTOMER	3/19/04
DWN. BY:	CAD FILE:	DWG. NO.:
TAD	MPT- Installation Instructions	MPT-C-003



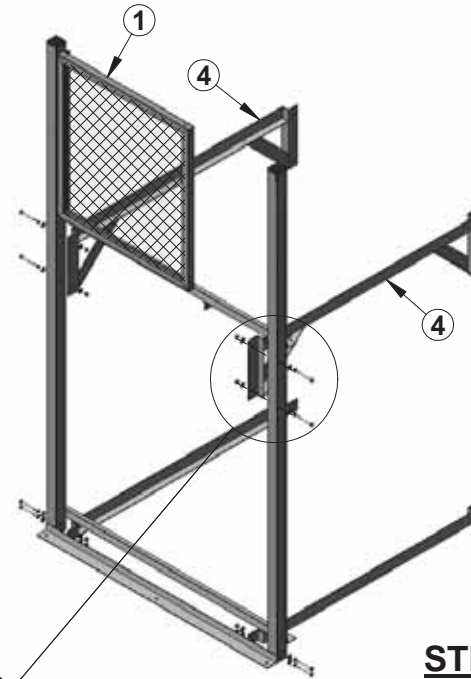
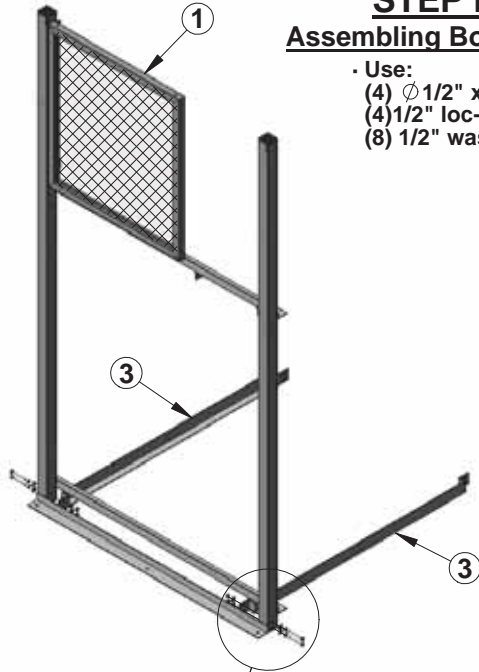
$\phi$  3/4" Holes (6)  
(Use 1/2" J-Bolts)



# MPT 6'x6' - Assembly (Steps 1 & 2)

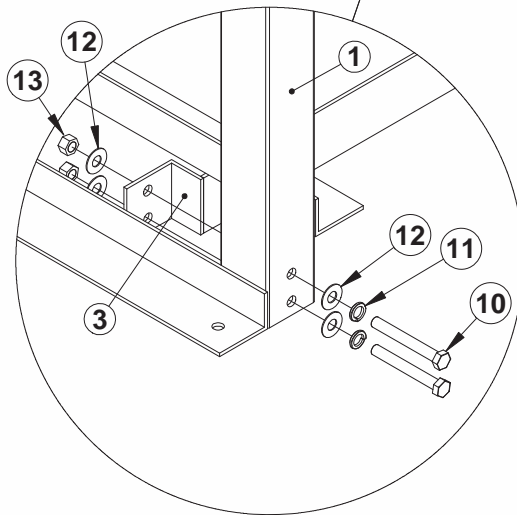
## STEP NO. 1 Assembling Bottom Supports

- Use:
- (4)  $\varnothing 1/2"$  x 4" bolts
- (4) 1/2" loc-washers
- (8) 1/2" washers

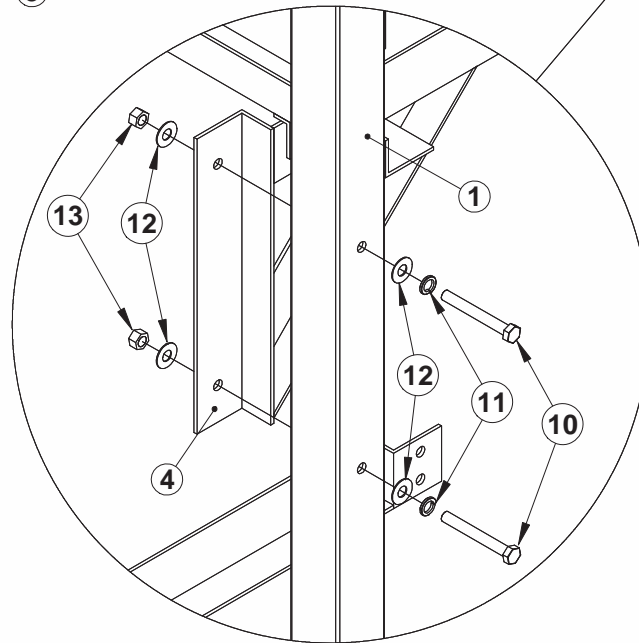


## STEP NO. 2 Assembling Top Supports

- Use:
- (4)  $\varnothing 1/2"$  x 4" bolts
- (4) 1/2" loc-washers
- (8) 1/2" washers



DETAIL A  
SCALE 1 : 8



DETAIL B  
SCALE 1 : 8

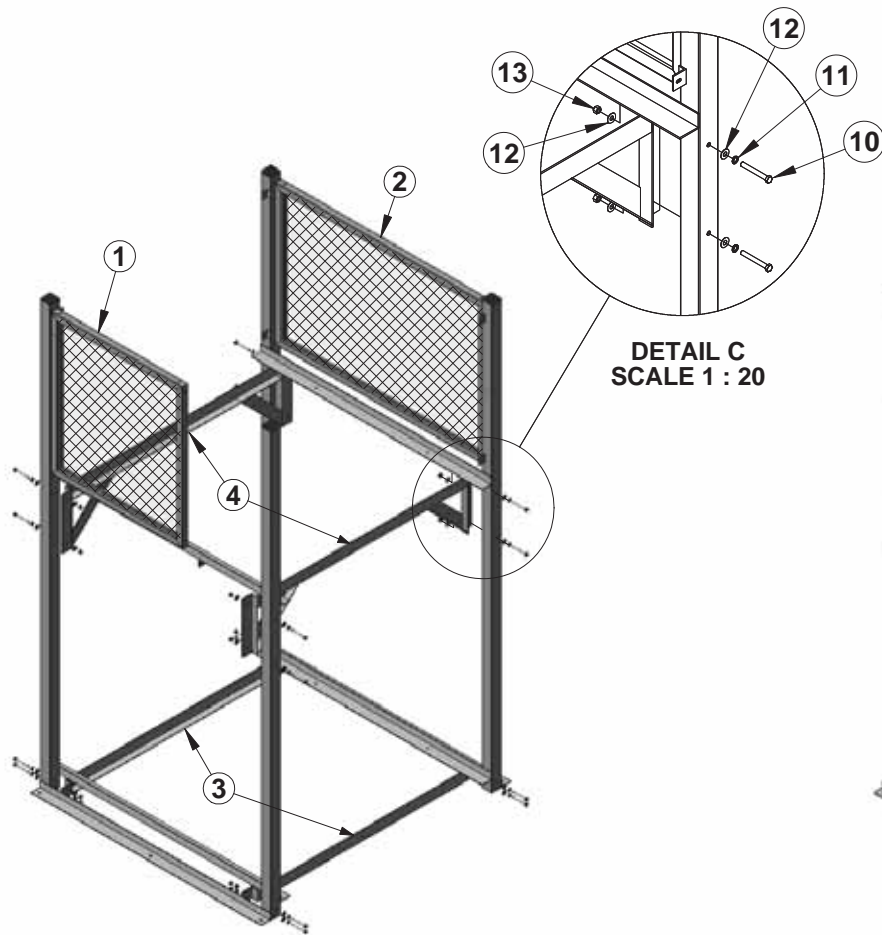


Aluminum Athletic Equipment  
1000 Enterprise Drive, Royersford, PA 19468  
Toll Free: (800) 523-5471 Phone: (610) 825-6565  
www.aaesports.com

DESCRIPTION:		
MPT 6'x6' - Assembly (Steps 1 & 2)		
NOTE: Parts Callout		
MODEL:	CATEGORY:	DATE:
MPT-6x6	CUSTOMER	7/12/04
DWN. BY:	CAD FILE:	DWG. NO.:
TAD	MPT 6'x6' - Assembly (Steps 1 & 2)	MPT-6x6-C-001

# MPT 6'x6' - Assembly (Steps 3 & 4a)

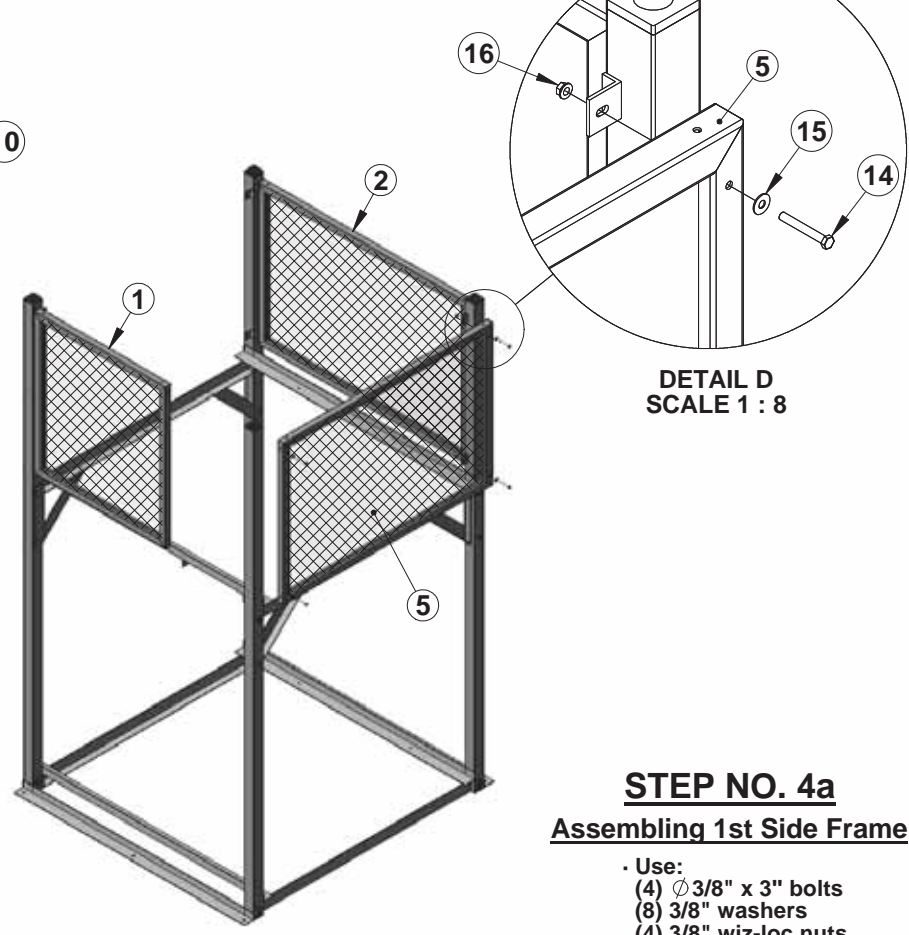
D  
C  
B  
A



## STEP NO. 3

### Assembling 2nd Main Frame to Supports

- Use:
- (4)  $\phi$  1/2" x 4" bolts
- (4) 1/2" loc-washers
- (8) 1/2" washers



## STEP NO. 4a

### Assembling 1st Side Frame

- Use:
- (4)  $\phi$  3/8" x 3" bolts
- (8) 3/8" washers
- (4) 3/8" wiz-loc nuts



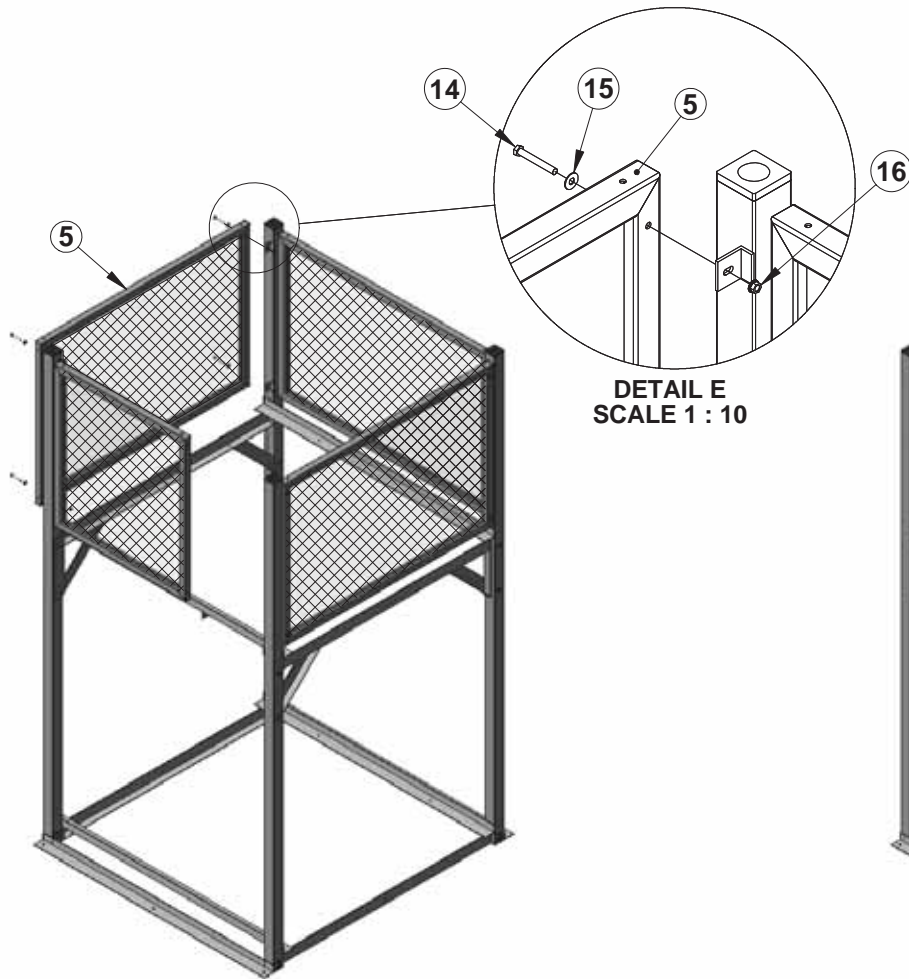
Aluminum Athletic Equipment  
 1000 Enterprise Drive, Royersford, PA 19468  
 Toll Free: (800) 523-5471 Phone: (610) 825-6565  
[www.aaesports.com](http://www.aaesports.com)

DESCRIPTION:		
<b>MPT 6'x6' - Assembly (Steps 3 &amp; 4a)</b>		
NOTE: Parts Callout		
MODEL:	CATEGORY:	DATE:
MPT-6x6	<b>CUSTOMER</b>	7/12/04
DWN. BY:	CAD FILE:	DWG. NO.:
TAD	MPT 6'x6' - Assembly (Steps 3 & 4a)	MPT-6x6-C-003

D  
C  
B  
A

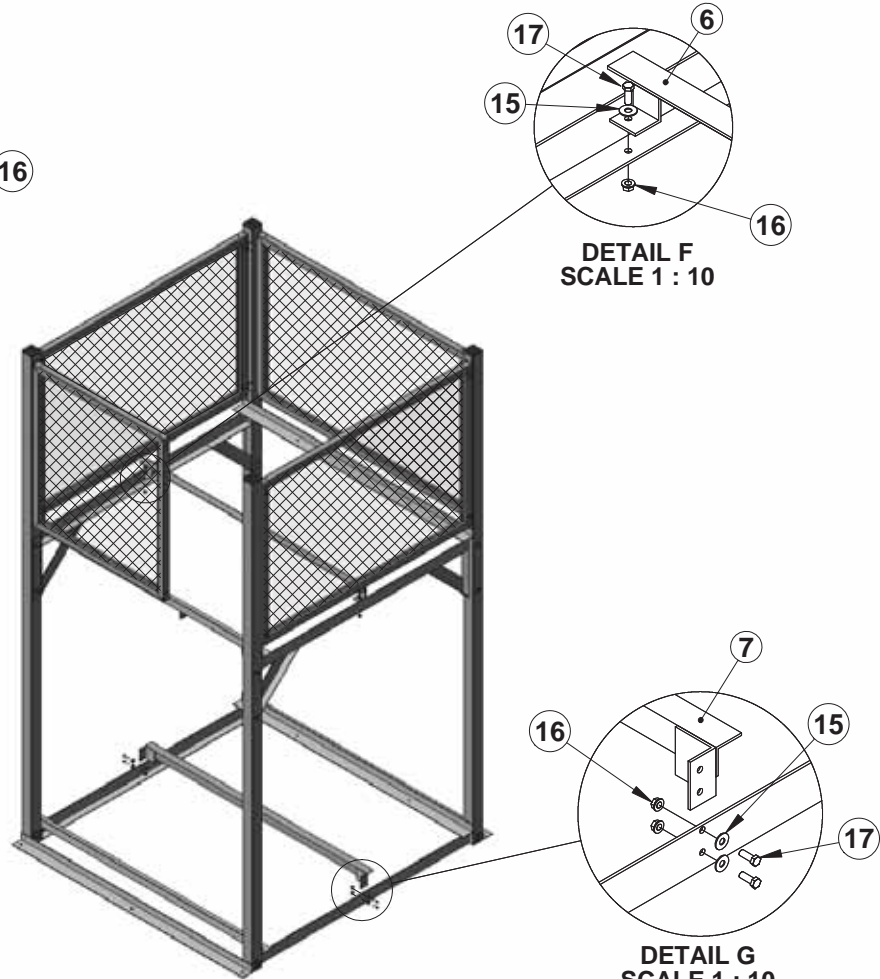
# MPT 6'x6' - Assembly (Steps 4b & 5)

D  
C  
B  
A




## STEP NO. 4b Assembling 2nd Fence Railing

- Use:
- (4)  $\phi$  3/8" x 3" bolts
- (4) 3/8" washers
- (4) 3/8" wiz-loc nuts



## STEP NO. 5 Assembling Top & Bottom Floor Braces

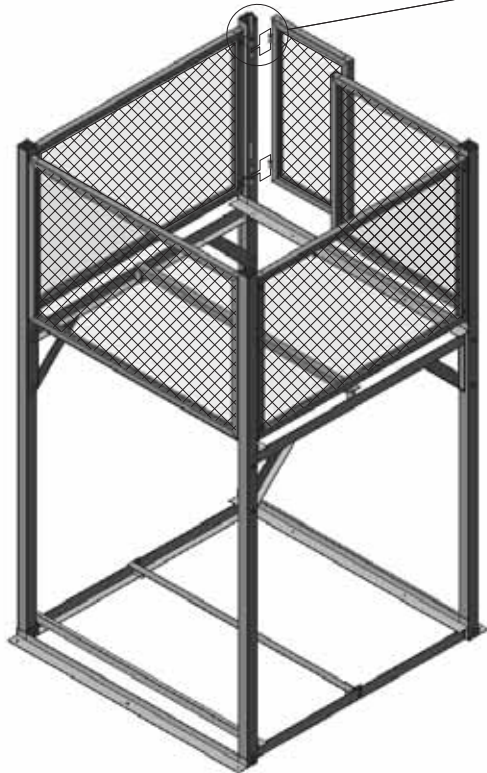
- Use:
- (6)  $\phi$  3/8" x 1" bolts
- (6) 3/8" washers
- (6) 3/8" wiz-loc nuts



Aluminum Athletic Equipment  
1000 Enterprise Drive, Royersford, PA 19468  
Toll Free: (800) 523-5471 Phone: (610) 825-6565  
www.aaesports.com

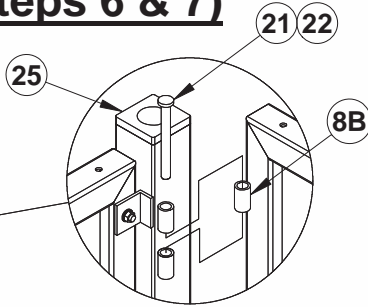
DESCRIPTION:		
<b>MPT 6'x6' - Assembly (Steps 4b &amp; 5)</b>		
NOTE: Parts Callout		
MODEL:	CATEGORY:	DATE:
MPT-6x6	<b>CUSTOMER</b>	7/12/04
DWN. BY:	CAD FILE:	DWG. NO.:
TAD	MPT 6'x6' - Assembly (Steps 4b & 5)	MPT-6x6-C-004

# MPT 6'x6' - Assembly (Steps 6 & 7)

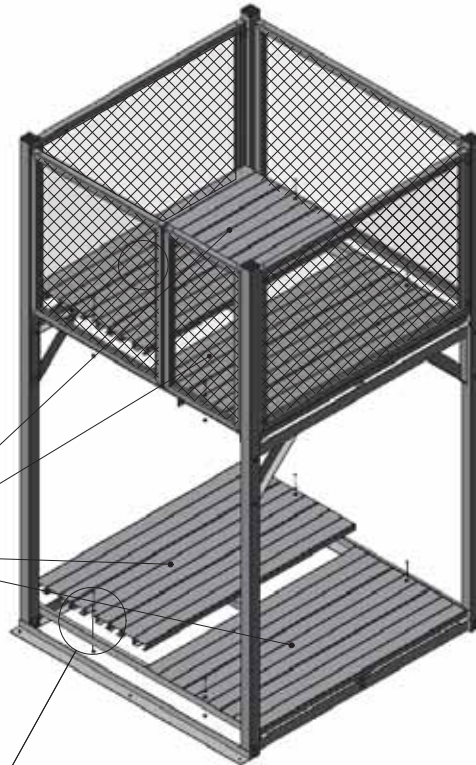


## STEP NO. 6 Assembling Hinged Gate

- Use:  
 (2)  $\varnothing$  5/8" x 5" bolt  
 (2) 5/8" wiz-loc nut

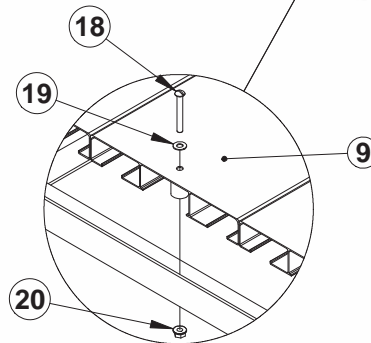


DETAIL H  
SCALE 1 : 10



## STEP NO. 7 Assembling Top & Bottom Floor Platforms

- Use:  
 (8)  $\varnothing$  5/16" x 2-1/2" bolts  
 (8) 5/16" washers  
 (8) 5/16" wiz-loc nuts



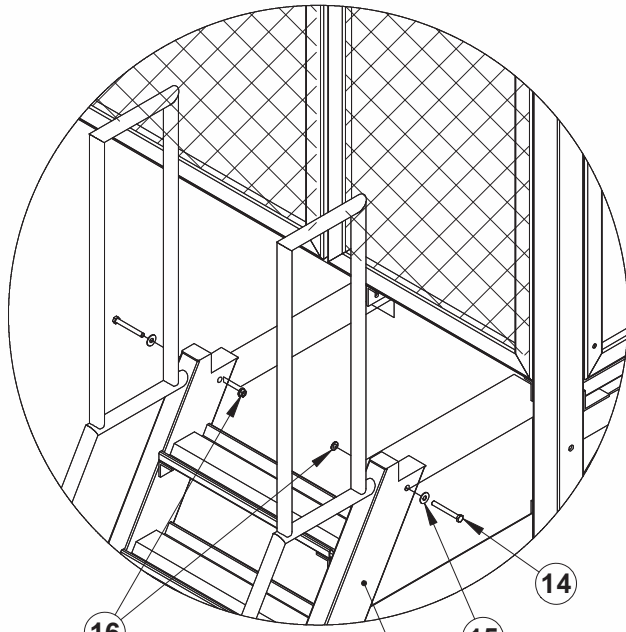
DETAIL I  
SCALE 1 : 10



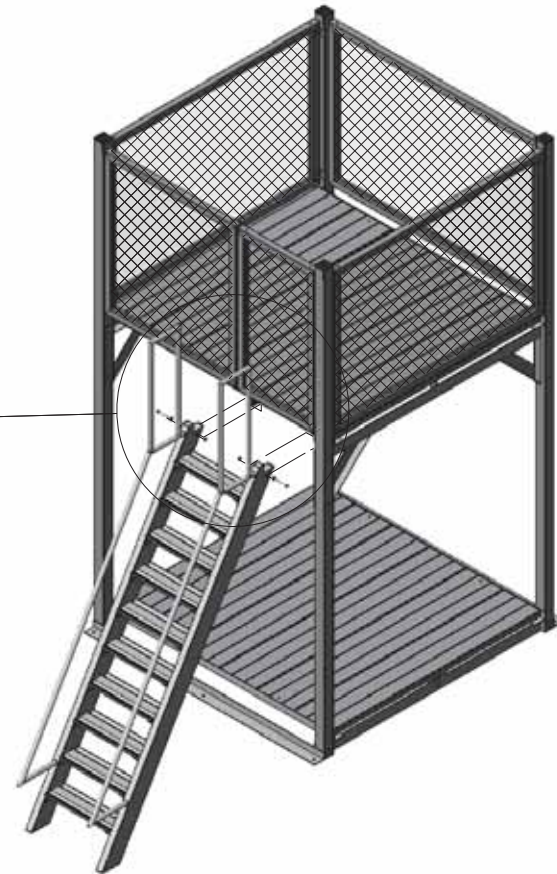
Aluminum Athletic Equipment  
 1000 Enterprise Drive, Royersford, PA 19468  
 Toll Free: (800) 523-5471 Phone: (610) 825-6565  
[www.aesports.com](http://www.aesports.com)

DESCRIPTION:			
<b>MPT 6'x6' - Assembly (Steps 6 &amp; 7)</b>			
NOTE: Parts Callout			
MODEL:	MPT-6x6	CATEGORY:	CUSTOMER
		DATE:	7/12/04
DWN. BY:	CAD FILE:	DWG. NO.	
TAD	MPT 6'x6' - Assembly (Steps 6 & 7)	MPT-6x6-C-005	

# MPT 6'x6' - Assembly (Step 8)



**DETAIL J**  
**SCALE 1 : 15**

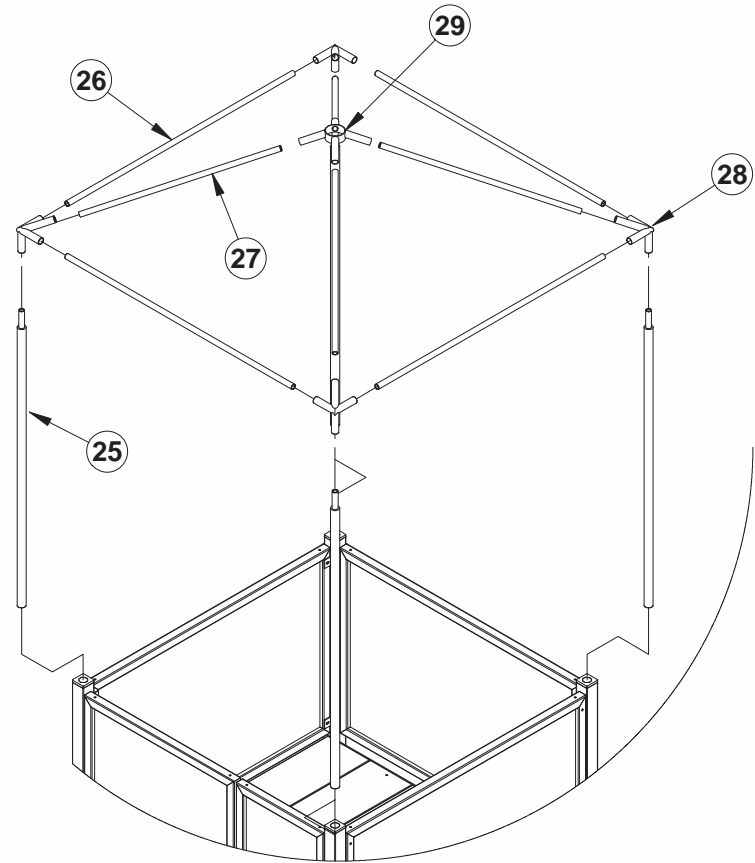
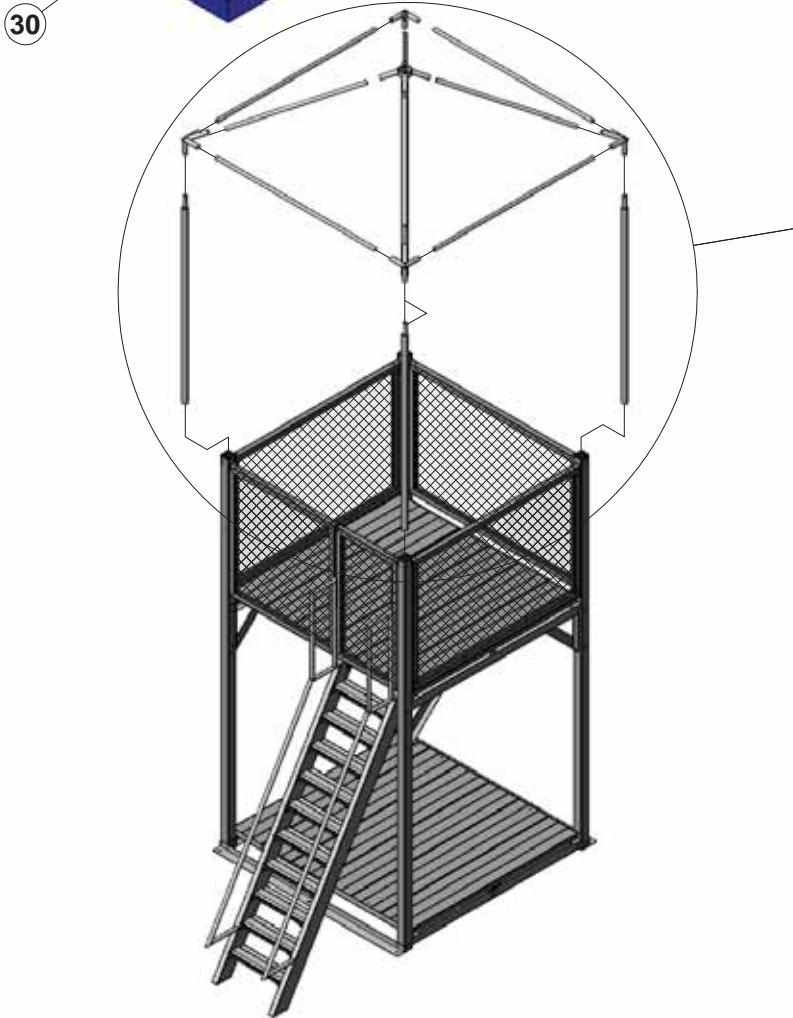
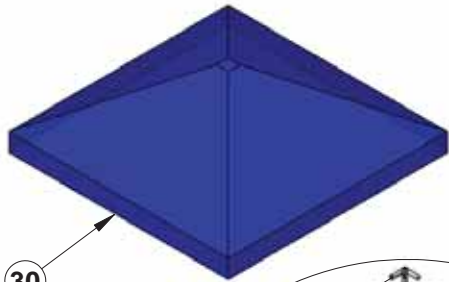


Aluminum Athletic Equipment  
1000 Enterprise Drive, Royersford, PA 19468  
Toll Free: (800) 523-5471 Phone: (610) 825-6565  
www.aaesports.com

DESCRIPTION:		
<b>MPT 6'x6' - Assembly (Step 8)</b>		
NOTE:		
Parts Callout		
MODEL:	CATEGORY:	DATE:
MPT-6x6	<b>CUSTOMER</b>	7/12/04
DWN. BY:	CAD FILE:	DWG. NO.:
TAD	MPT 6'x6' - Assembly (Step 8)	MPT-6x6-C-006



# MPT-C 6'x6' - Canopy Assembly (Step 9)



**DETAIL K**  
**SCALE 1 : 35**



Aluminum Athletic Equipment  
1000 Enterprise Drive, Royersford, PA 19468  
Toll Free: (800) 523-5471 Phone: (610) 825-6565  
www.aesports.com

DESCRIPTION:			
<b>MPT-C 6'x6' - Canopy Assembly (Step 9)</b>			
NOTE:			
Parts Callout			
MODEL:	MPT-C-6x6	CATEGORY:	<b>CUSTOMER</b>
		DATE:	7/12/04
DWN. BY:	TAD	CAD FILE:	MPT-C 6'x6' - Assembly (Step 9)
		DWG. NO.:	MPT-C-6x6-C-007