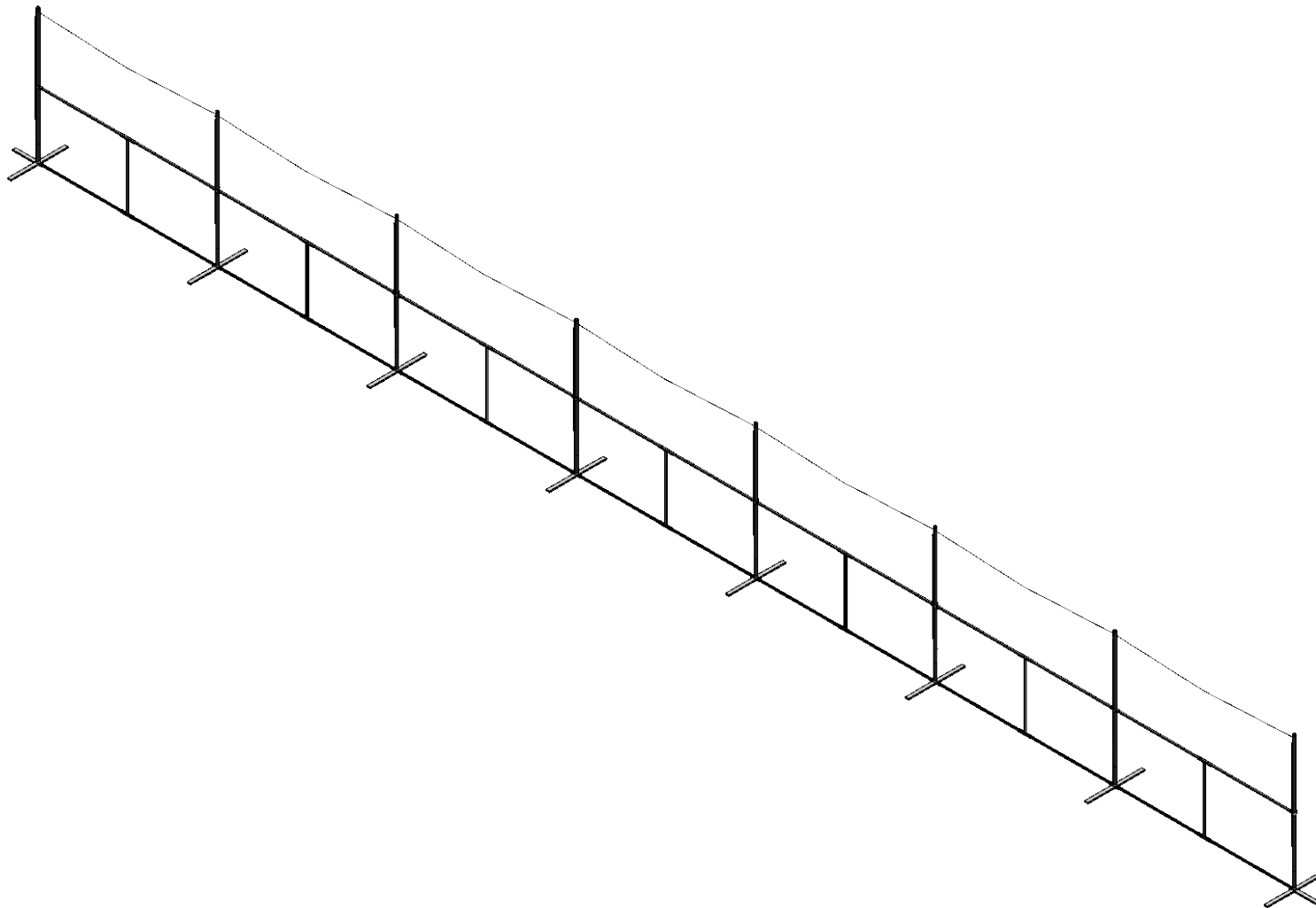
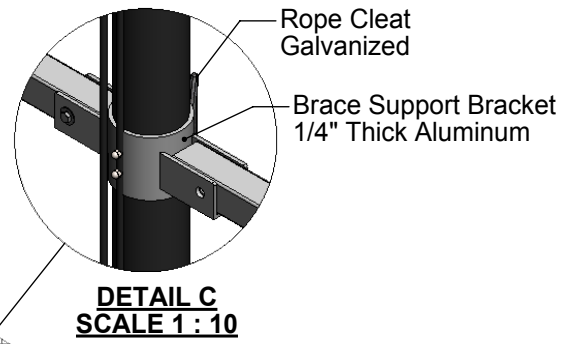
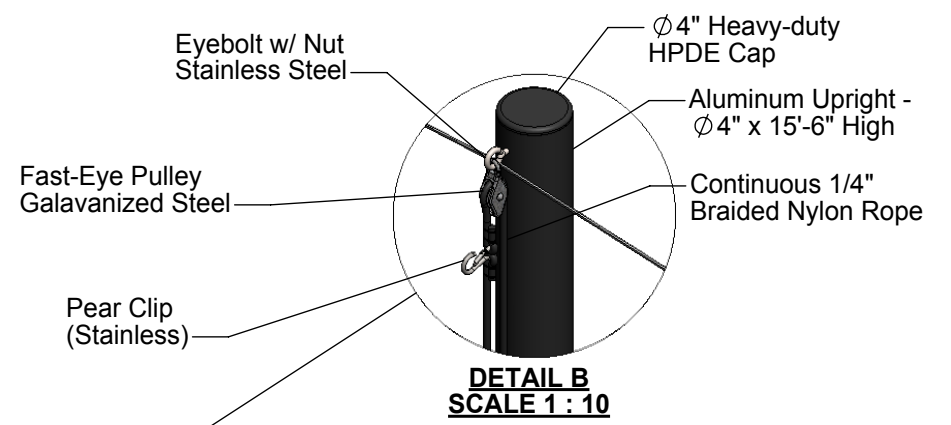
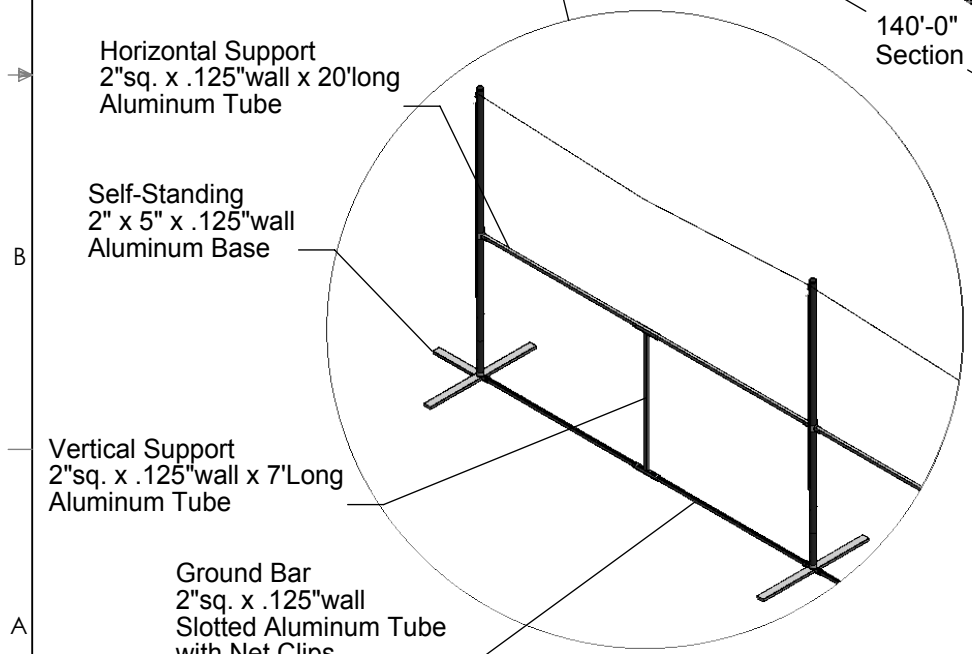
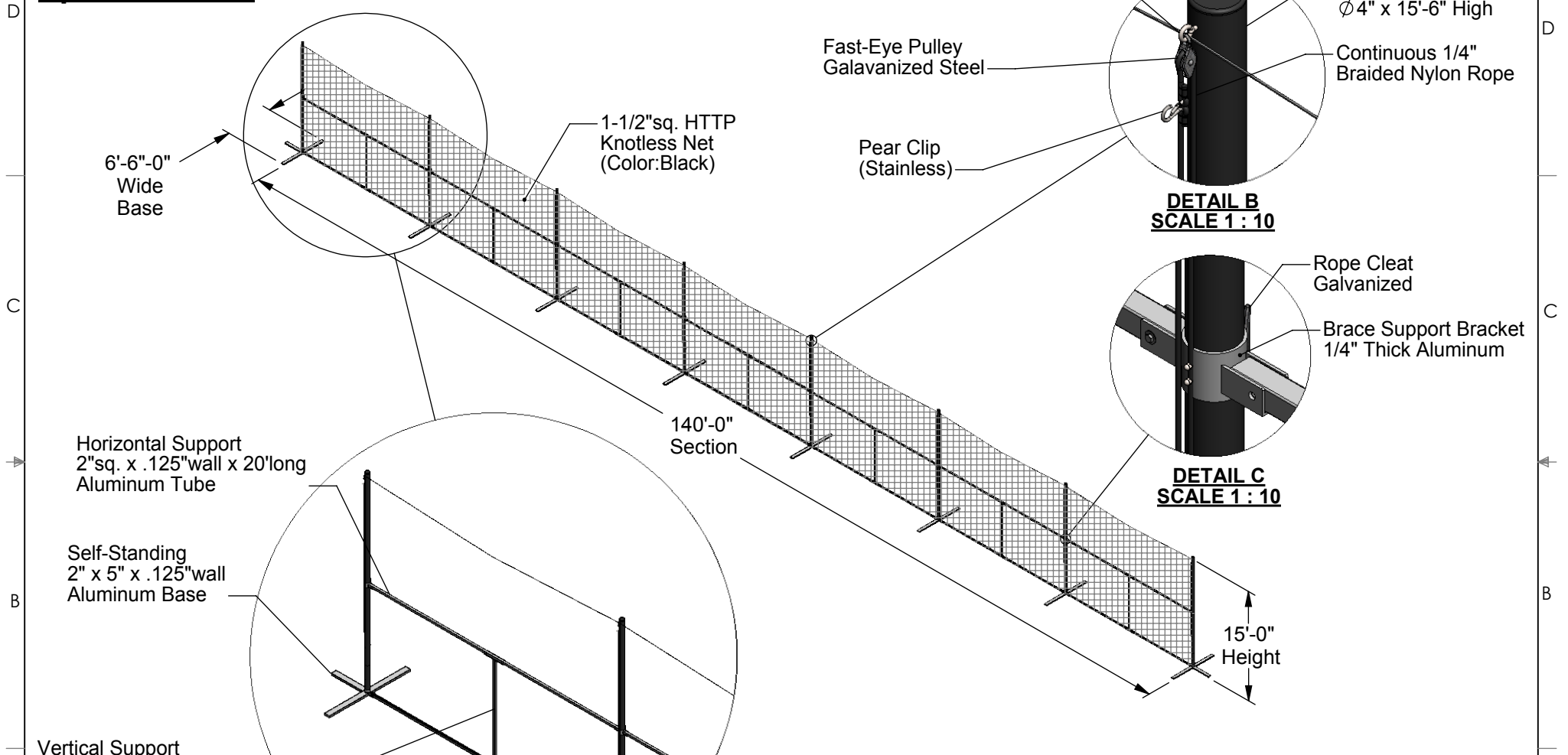


AAE Model No. MBS-15-P 15' High Portable BallStopper System




Aluminum Athletic Equipment
1000 Enterprise Drive, Royersford, PA 19468
Toll Free: (800) 523-5471 Fax: (610) 825-2378
www.AAEsports.com

MBS-15-P - 15' High Portable Self-Standing BallStopper System Specifications



Notes:
 - Customized sections come in 20' increments
 - Approximately 6 pounds per lineal foot



Aluminum Athletic Equipment
 1000 Enterprise Drive, Royersford, PA 19468
 Toll Free: (800) 523-5471 Fax: (610) 825-2378
www.AAEsports.com

DESCRIPTION:		
MBS-15-P - 15' High Portable BallStopper System		
NOTE: 20' Assembled Sections - 1 Continuous Net Per Section - As Specified		
MODEL:	CATEGORY:	DATE:
MBS-15-P	CUSTOMER	07/21/11
DWN. BY:	CAD FILE:	DWG. NO.:
TAD	MBS-15-P Specifications	MBS-15-P-C-001