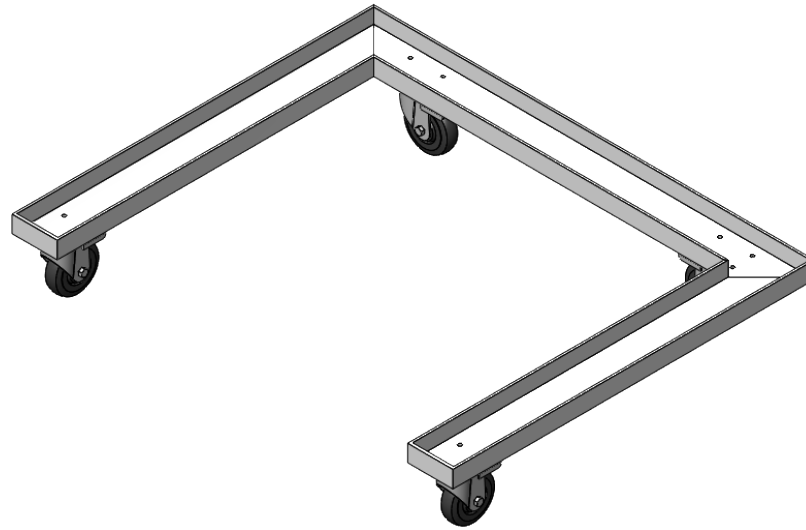
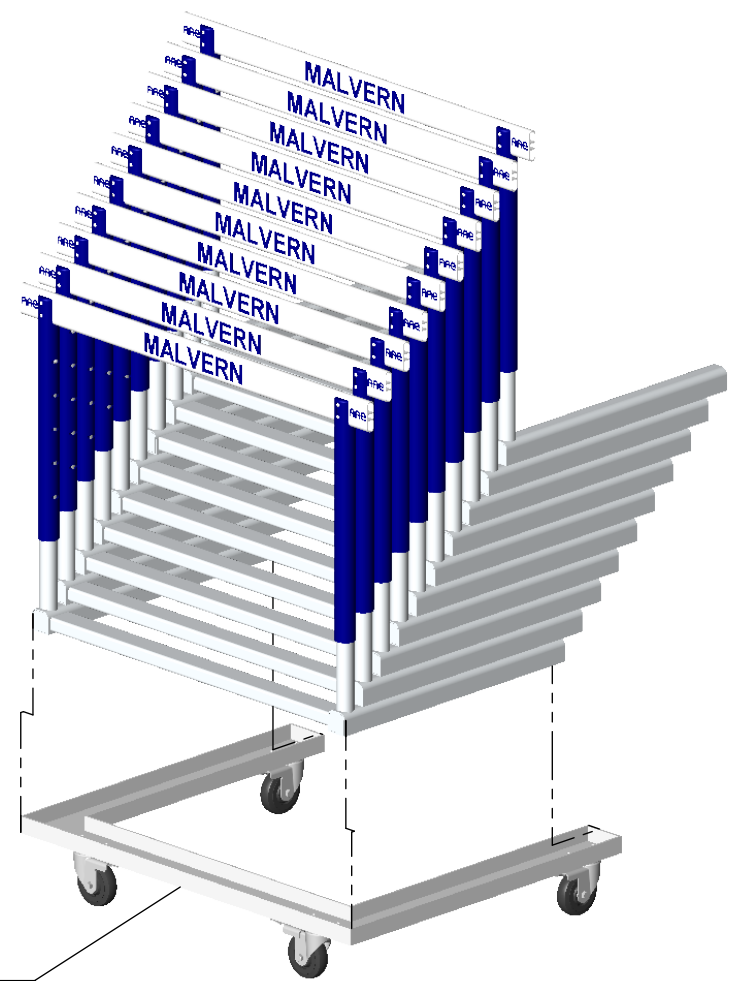
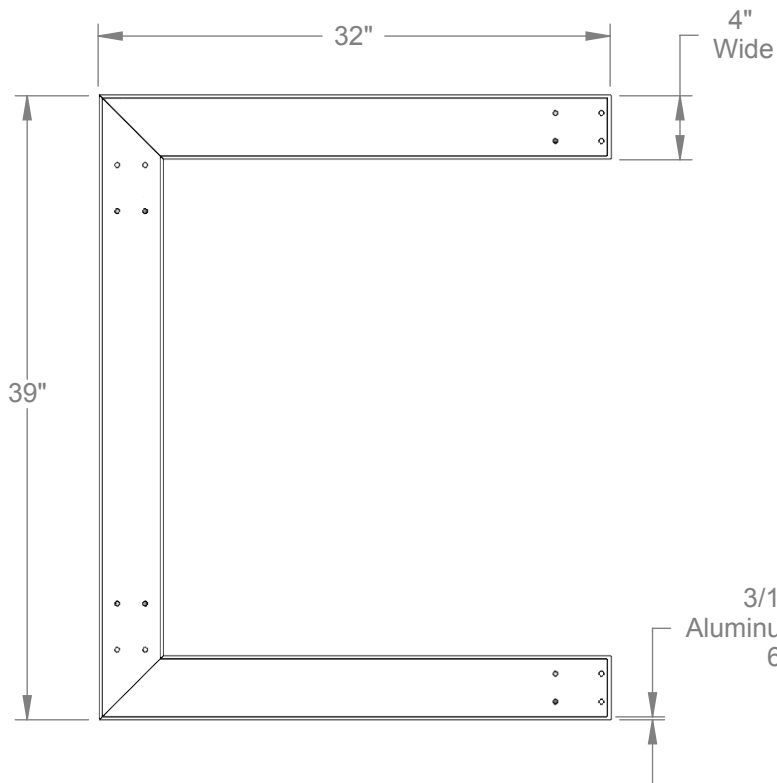


**AAE Model No. LHD-XLAH**  
**Lane Hurdle Dolly**

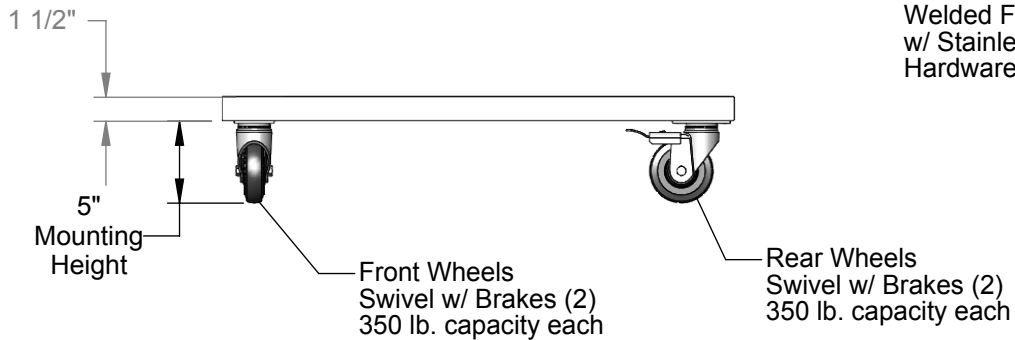


**Aluminum Athletic Equipment**  
1000 Enterprise Drive, Royersford, PA 19468  
Toll Free: (800) 523-5471 Fax: (610) 825-2378  
[www.AAEsports.com](http://www.AAEsports.com)

# Model No. LHD-XLAH - Lane Hurdle Dolly Specifications



All-Aluminum Welded Frame w/ Stainless Steel Hardware



\* Shown above with 10ea. XLAH Hurdles



**Aluminum Athletic Equipment**  
 1000 Enterprise Drive, Royersford, PA 19468  
 Toll Free: (800) 523-5471 Fax: (610) 825-2378  
[www.myAAEworld.com](http://www.myAAEworld.com)

DESCRIPTION: <b>LHD-XLAH - Lane Hurdle Dolly - Specifications</b>		
NOTE: Holds 10ea. XLAH hurdles max. See related products LHC & LHC-20.		
MODEL: LHD-XLAH	CATEGORY: <b>CUSTOMER</b>	DATE: 7/24/08
DWN. BY: TAD	CAD FILE: LHD-XLAH - Specs	DWG. NO. LHD-XLAH-C-001

\* Overall Weight 20 lbs.