

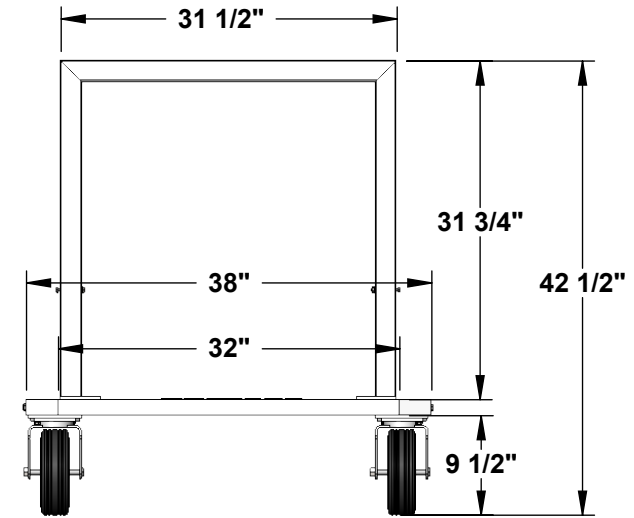
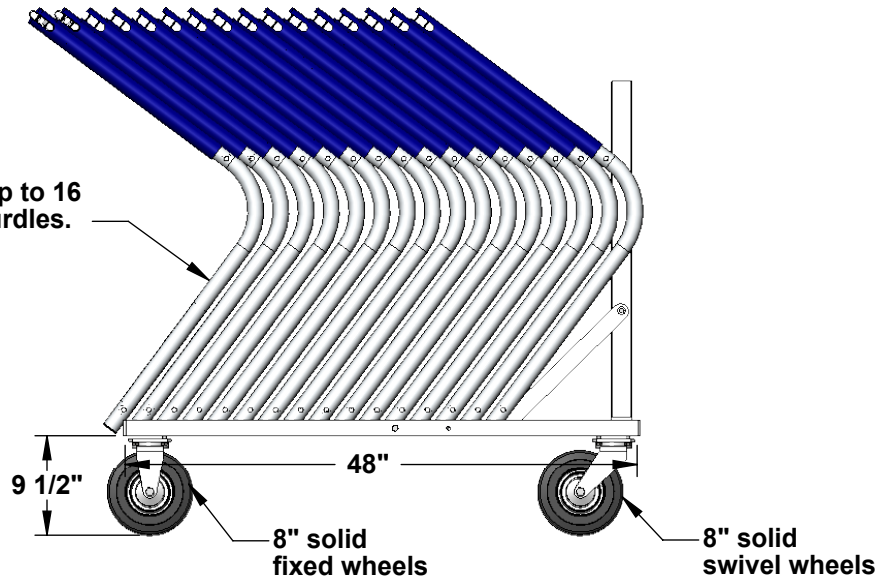
# AAE Model No. LHC Lane Hurdle Cart



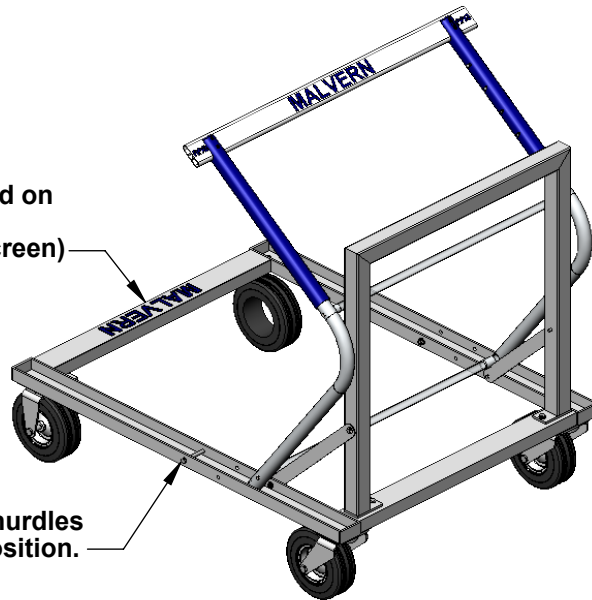
**Aluminum Athletic Equipment**  
1000 Enterprise Drive, Royersford, PA 19468  
Toll Free: (800) 523-5471 Fax: (610) 825-2378  
[www.AAEsports.com](http://www.AAEsports.com)

# LHC - Specifications

## 35" Hurdle - HSAH



School Name silkscreened on back bar of cart.  
(Same as hurdle board screen)



When stacking HSAH hurdles use bolt in rear hole position.

### Additional Notes:

- Weight = 70 lbs.
- Available in 35", 41", and 47" widths to accommodate all standard hurdles
- Longer carts to accommodate more hurdles (up to 32 HSAH hurdles) available (41" width only)



**Aluminum Athletic Equipment**  
1000 Enterprise Drive, Royersford, PA 19468  
Toll Free: (800) 523-5471 Fax: (610) 825-2378  
www.AAEsports.com

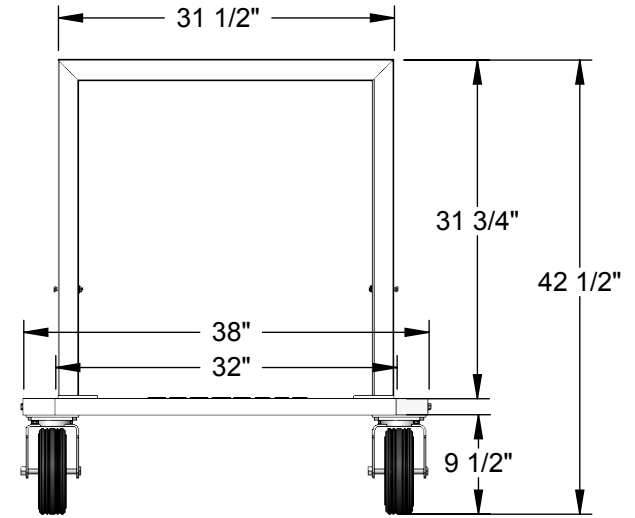
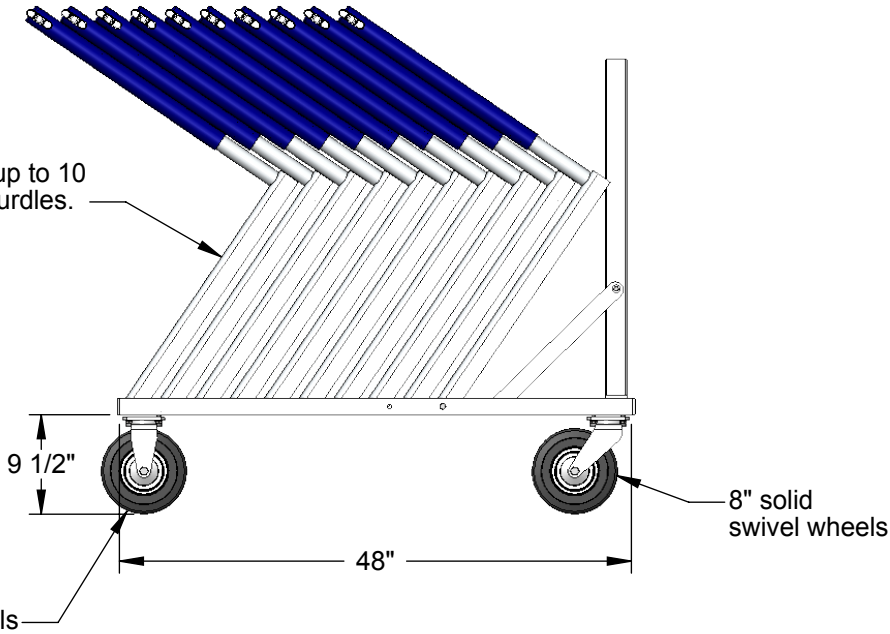
DESCRIPTION			
<b>LHC - Specifications</b>			
NOTE: 35" Lane Hurdle Cart - Holds 16 HSAH Hurdles			
MODEL:	LHC-35	CATEGORY:	<b>CUSTOMER</b>
		DATE:	07/20/11
DWN. BY:	TAD	CAD FILE:	LHC Packet
		DWG. NO.	LHC-C-001

# LHC - Specifications

## 35" Hurdle - XLAH

D

Stacks up to 10 XLAH hurdles.

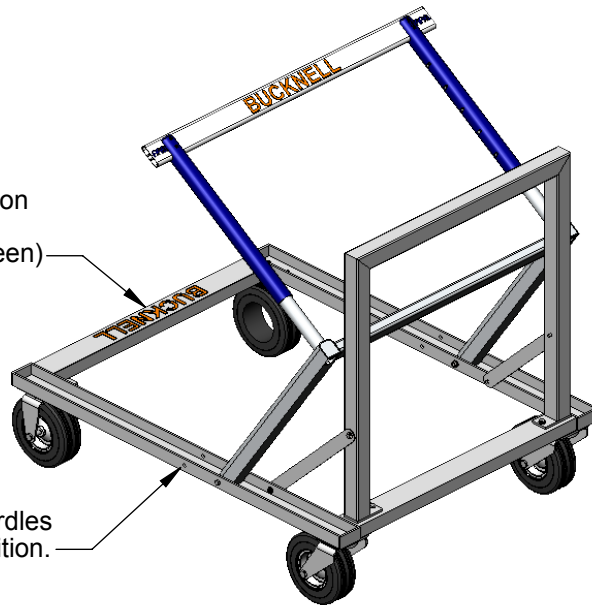


D

C

B

School Name silkscreened on back bar of cart. (Same as hurdle board screen)



When stacking XLAH hurdles use bolt in front hole position.

B

A

### Additional Notes:

- Weight = 70 lbs.
- Available in 35", 41", and 47" widths to accommodate all standard hurdles
- Longer carts to accommodate more hurdles (up to 20 XLAH hurdles) available (41" width only)



**Aluminum Athletic Equipment**  
 1000 Enterprise Drive, Royersford, PA 19468  
 Toll Free: (800) 523-5471 Fax: (610) 825-2378  
 www.AAEsports.com

DESCRIPTION			
<b>LHC - Specifications</b>			
NOTE: 35" Lane Hurdle Cart - Holds 10 XLAH Hurdles			
MODEL:	LHC-35	CATEGORY:	CUSTOMER
		DATE:	07/20/11
DWN. BY:	TAD	CAD FILE:	LHC Packet
DWG. NO.			LHC-C-002

A

6

5

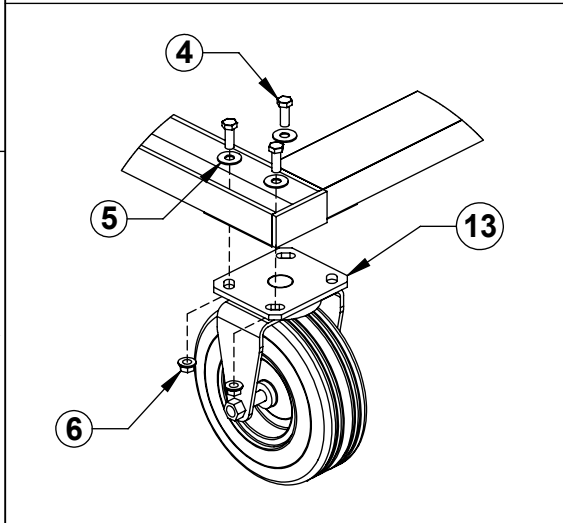
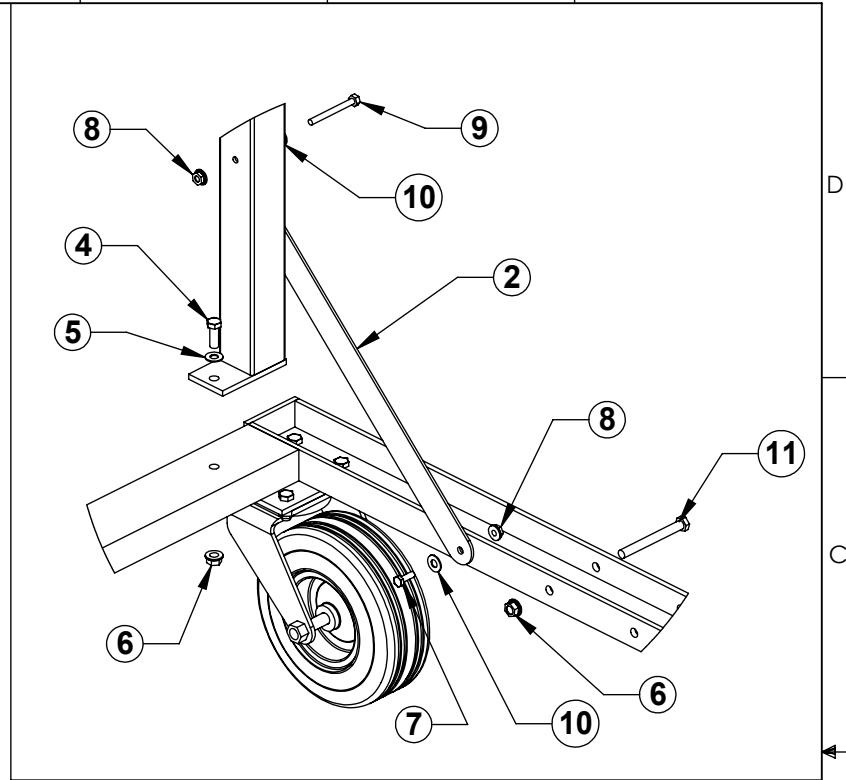
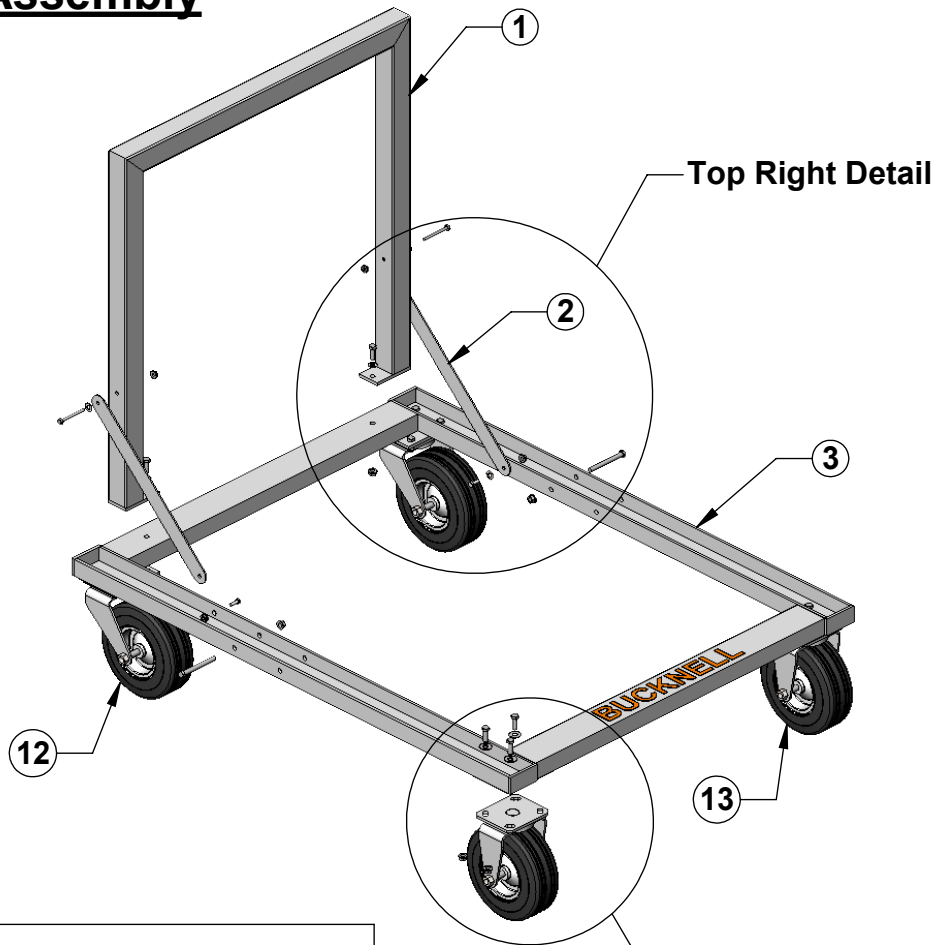
4


3

2

1

# LHC - Assembly



 <b>Aluminum Athletic Equipment</b> 1000 Enterprise Drive, Royersford, PA 19468 Toll Free: (800) 523-5471 Fax: (610) 825-2378 <a href="http://www.AAEsports.com">www.AAEsports.com</a>		
DESCRIPTION		
<b>Lane Hurdle Cart - Assembly</b>		
NOTE: This drawing replaces drwg. AAE-114 (Updated as of 11/21/01)		
MODEL:	CATEGORY:	DATE:
LHC	<b>CUSTOMER</b>	11/21/01
DRAWN BY:	CAD FILE:	DWG. NO.:
TAD	LHC - Assembly	LHC-C-100

**LHC  
LANE HURDLE CART  
PARTS LIST & ASSEMBLY INSTRUCTIONS**

---

**PARTS LIST:**

<b>Pt.#</b>	<b>Item</b>	<b>Description</b>	<b>Qty.</b>
1	Handle	31" x 31" welded custom handle	1
2	Support Strap	1-1/2" x 17" aluminum support	2
3	Frame	38" x 48" welded custom frame	1
4	Bolt	3/8"-16 x 1" hex bolt, s.s.	18
5	Washer	3/8" flat washer, s.s.	18
6	Nut	3/8"-16 serrated hex nut, s.s.	20
7	Bolt	1/4"-20 x 1" hex bolt, s.s.	2
8	Nut	1/4"-20 serrated hex nut, s.s.	4
9	Bolt	1/4"-20 x 2-1/2" steel hex bolt, s.s.	2
10	Washer	1/4" flat washer, s.s.	2
11	Bolt	3/8"-16 x 3-1/2" hex bolt, s.s.	2
12	Swivel Wheel	8" swivel caster (36032) ZP-83-HD-ZKS	2
13	Rigid Wheel	8" rigid caster (36033) ZP-83-HD-ZKR	2

**ASSEMBLY:**

1. Assemble the handle (Item No. 1) to the frame (Item No. 3) using 3/8"-16 x 1" bolts, nuts & washers (Item Nos. 4,5, & 6).
2. Loosely attach the support strap (Item No. 2) to the outside face of the handle using a 1/4"-20 x 2-1/2" hex bolt, nut and flat washer (Item Nos. 8,9 & 10). Attach the other end of the support strap to the hurdle frame using a 1/4"-20 x 1" hex bolt, nut, & flat washer (Item Nos. 7 & 8). Repeat for other support strap on opposite side of hurdle cart. Tighten all bolts securely.
3. Install 3/8"-16 x 3-1/2" bolt (Item No. 11) to hurdle frame using a 3/8"-16 nut (Item No. 6) in one of the 2 holes provided. Use the rear hole (the hole closest to the handle) when stacking XLAH hurdles, and the forward hole when stacking HSAH hurdles. Repeat for other side. Tighten bolts moderately.
4. Attach Swivel Wheels (Item no. 12) to the rear of the hurdle cart (near the handle) using 3/8"-16 x 1" bolts, nuts, and flat washers (Item Nos. 4,5, & 6). Attach rigid wheels (Item No. 13) to the front of the hurdle cart using the same type of hardware.

**FOR TECHNICAL ASSISTANCE, CALL 1-800-523-5471**