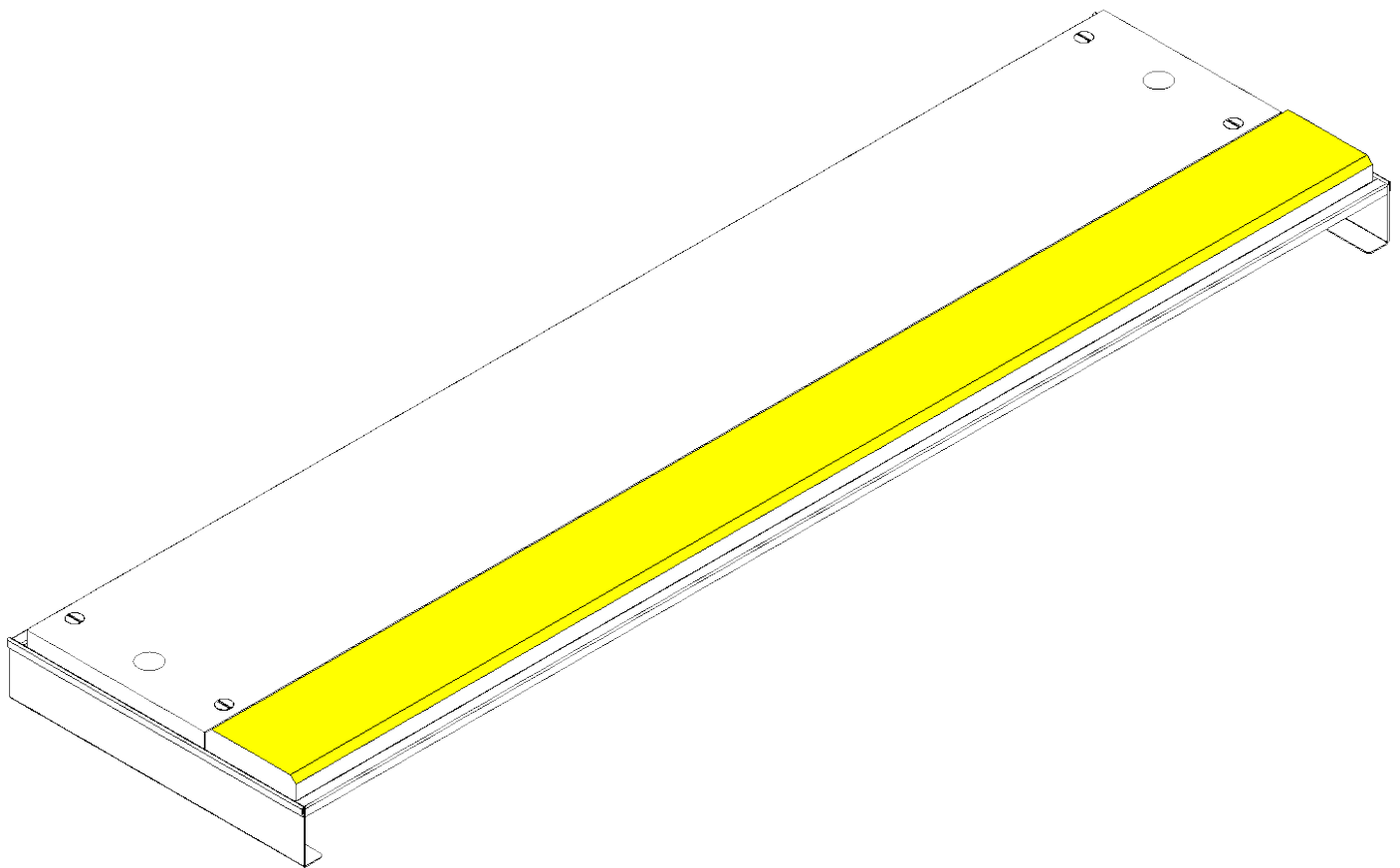
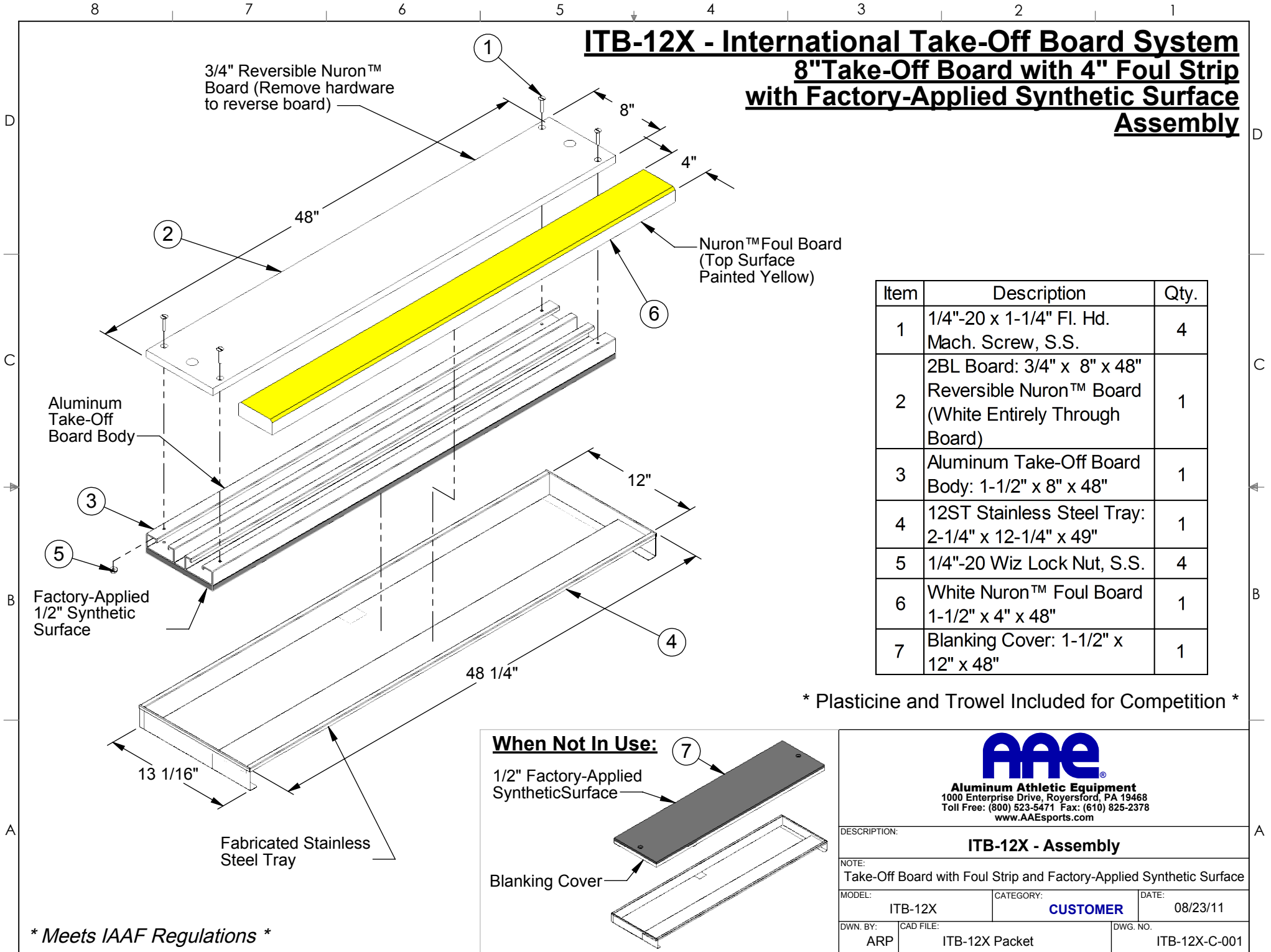


**AAE Model No. ITB-12X**  
**International Take-Off Board System**  
**with Factory-Applied Synthetic Surface**



**Aluminum Athletic Equipment**  
1000 Enterprise Drive, Royersford, PA 19468  
Toll Free: (800) 523-5471 Fax: (610) 825-2378  
[www.AAEsports.com](http://www.AAEsports.com)

# ITB-12X - International Take-Off Board System 8" Take-Off Board with 4" Foul Strip with Factory-Applied Synthetic Surface Assembly



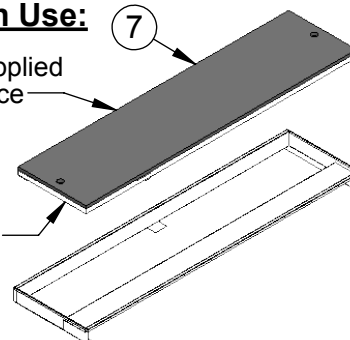
Item	Description	Qty.
1	1/4"-20 x 1-1/4" Fl. Hd. Mach. Screw, S.S.	4
2	2BL Board: 3/4" x 8" x 48" Reversible Nuron™ Board (White Entirely Through Board)	1
3	Aluminum Take-Off Board Body: 1-1/2" x 8" x 48"	1
4	12ST Stainless Steel Tray: 2-1/4" x 12-1/4" x 49"	1
5	1/4"-20 Wiz Lock Nut, S.S.	4
6	White Nuron™ Foul Board 1-1/2" x 4" x 48"	1
7	Blanking Cover: 1-1/2" x 12" x 48"	1

\* Plasticine and Trowel Included for Competition \*

### When Not In Use:

1/2" Factory-Applied Synthetic Surface

Blanking Cover

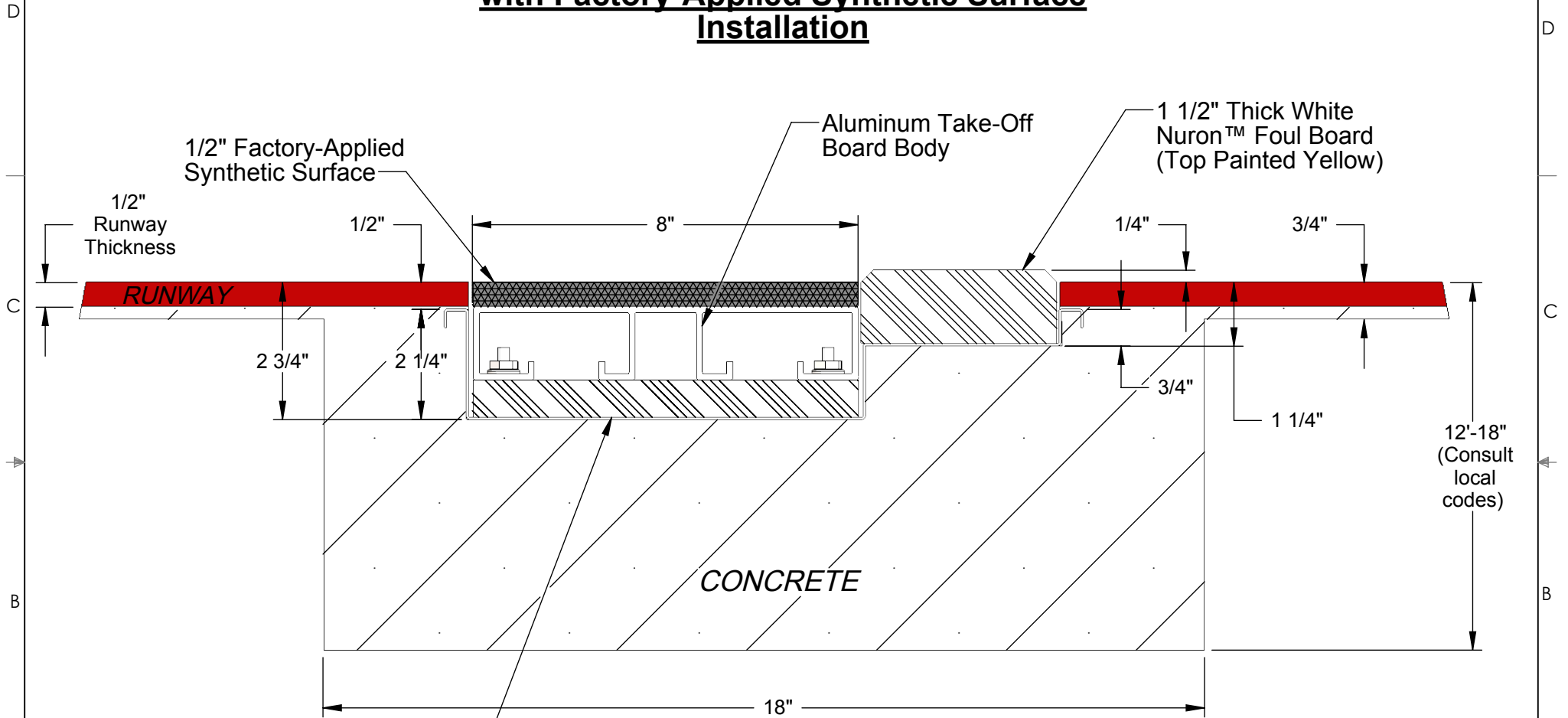


**Aluminum Athletic Equipment**  
 1000 Enterprise Drive, Royersford, PA 19468  
 Toll Free: (800) 523-5471 Fax: (610) 825-2378  
[www.AAEsports.com](http://www.AAEsports.com)

DESCRIPTION:		
<b>ITB-12X - Assembly</b>		
NOTE: Take-Off Board with Foul Strip and Factory-Applied Synthetic Surface		
MODEL:	CATEGORY:	DATE:
ITB-12X	<b>CUSTOMER</b>	08/23/11
DWN. BY:	CAD FILE:	DWG. NO.:
ARP	ITB-12X Packet	ITB-12X-C-001

*\* Meets IAAF Regulations \**

# ITB-12X - International Take-Off Board System 8" Take-Off Board with 4" Foul Strip with Factory-Applied Synthetic Surface Installation



3/4" Thick Reversible Nuron™ Take-Off Board



**Aluminum Athletic Equipment**  
 1000 Enterprise Drive, Royersford, PA 19468  
 Toll Free: (800) 523-5471 Fax: (610) 825-2378  
[www.AAEsports.com](http://www.AAEsports.com)

DESCRIPTION:		
<b>ITB-12X - Installation</b>		
NOTE: 8" Take-Off Board and 4" Foul Strip with Synthetic Surface		
MODEL: ITB-12X	CATEGORY: <b>CUSTOMER</b>	DATE: 08/23/11
DWN. BY: ARP	CAD FILE: ITB-12X Packet	DWG. NO. ITB-12X-C-002