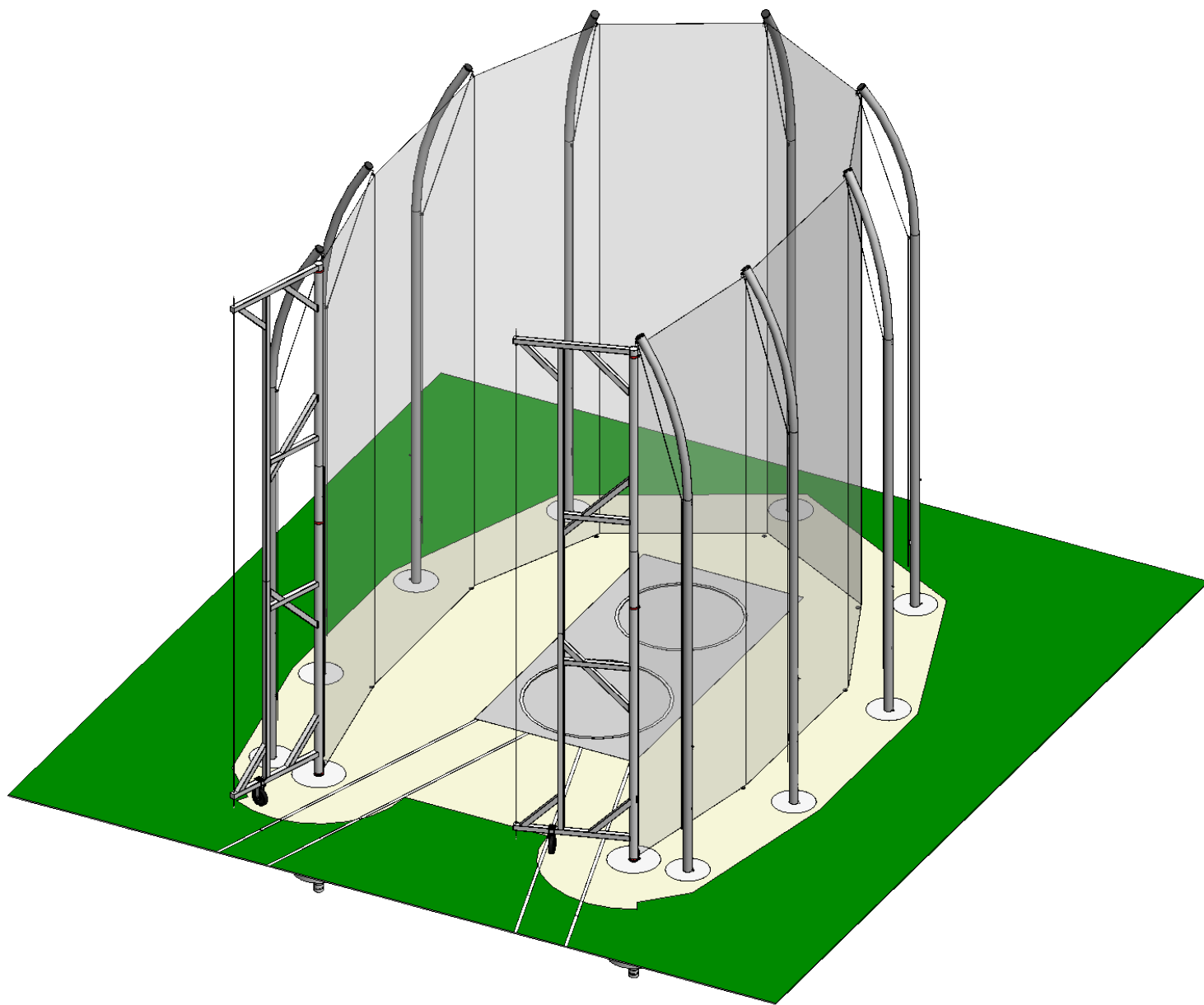
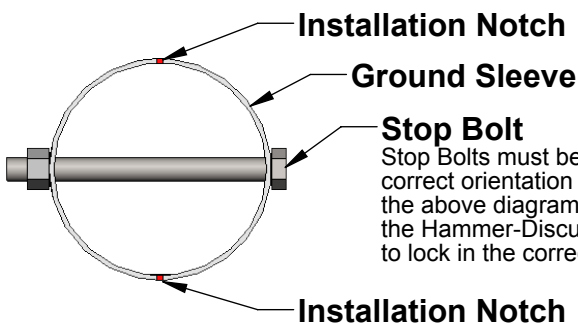
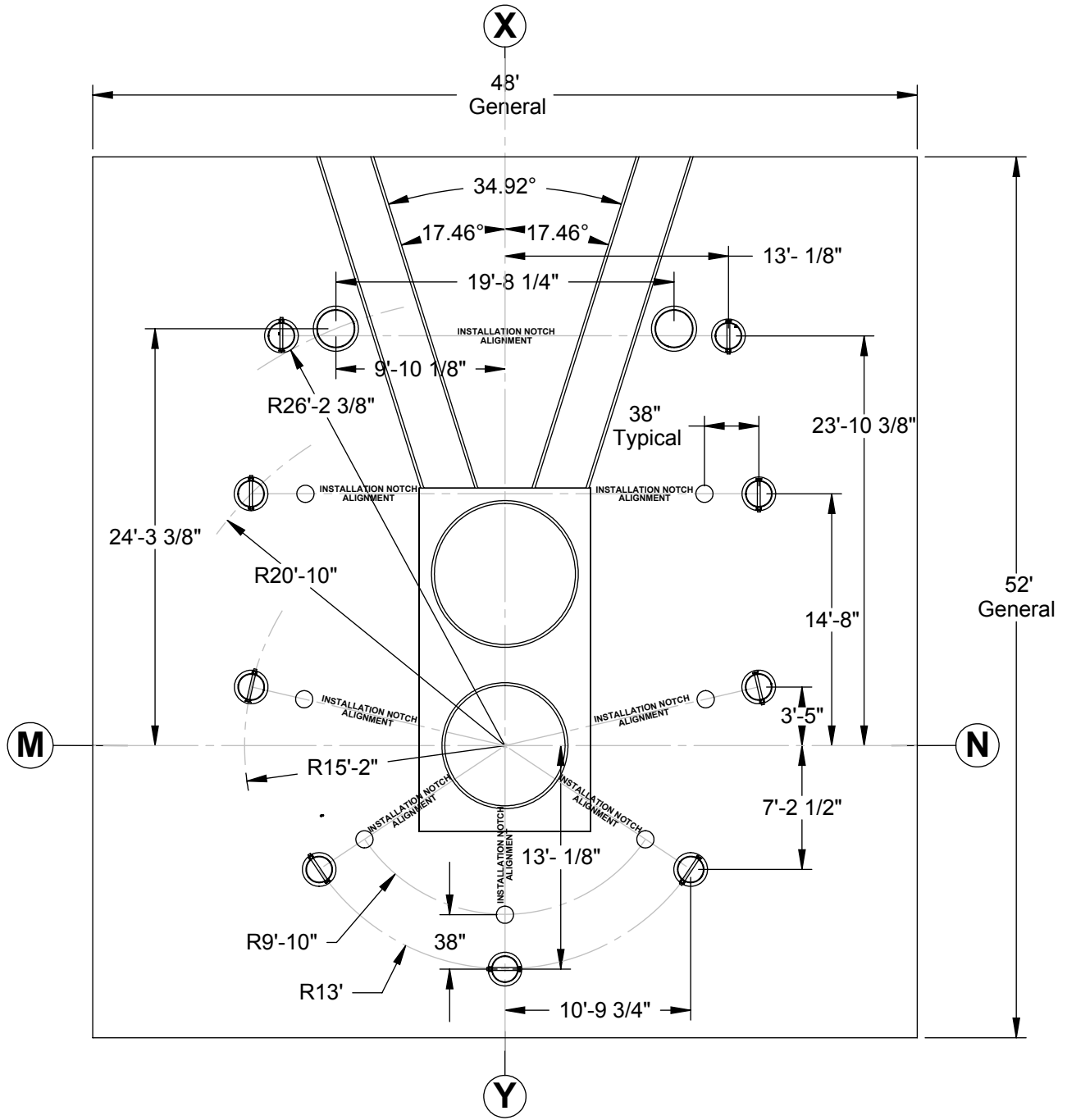


AAE Model No. IHDC-DUAL Dual-Pad IAAF Hammer-Discus Cage



Aluminum Athletic Equipment
1000 Enterprise Drive, Royersford, PA 19468
Toll Free: (800) 523-5471 Fax: (610) 825-2378
www.AAEsports.com

IHDC-DUAL Dual-Pad IAAF Hammer-Discus Cage Ground Sleeve Placements



Stop Bolt
Stop Bolts must be in the correct orientation as shown in the above diagram in order for the Hammer-Discus Cage posts to lock in the correct position!



Aluminum Athletic Equipment
1000 Enterprise Drive, Royersford, PA 19468
Toll Free: (800) 523-5471 Fax: (610) 825-2378
www.AAEsports.com

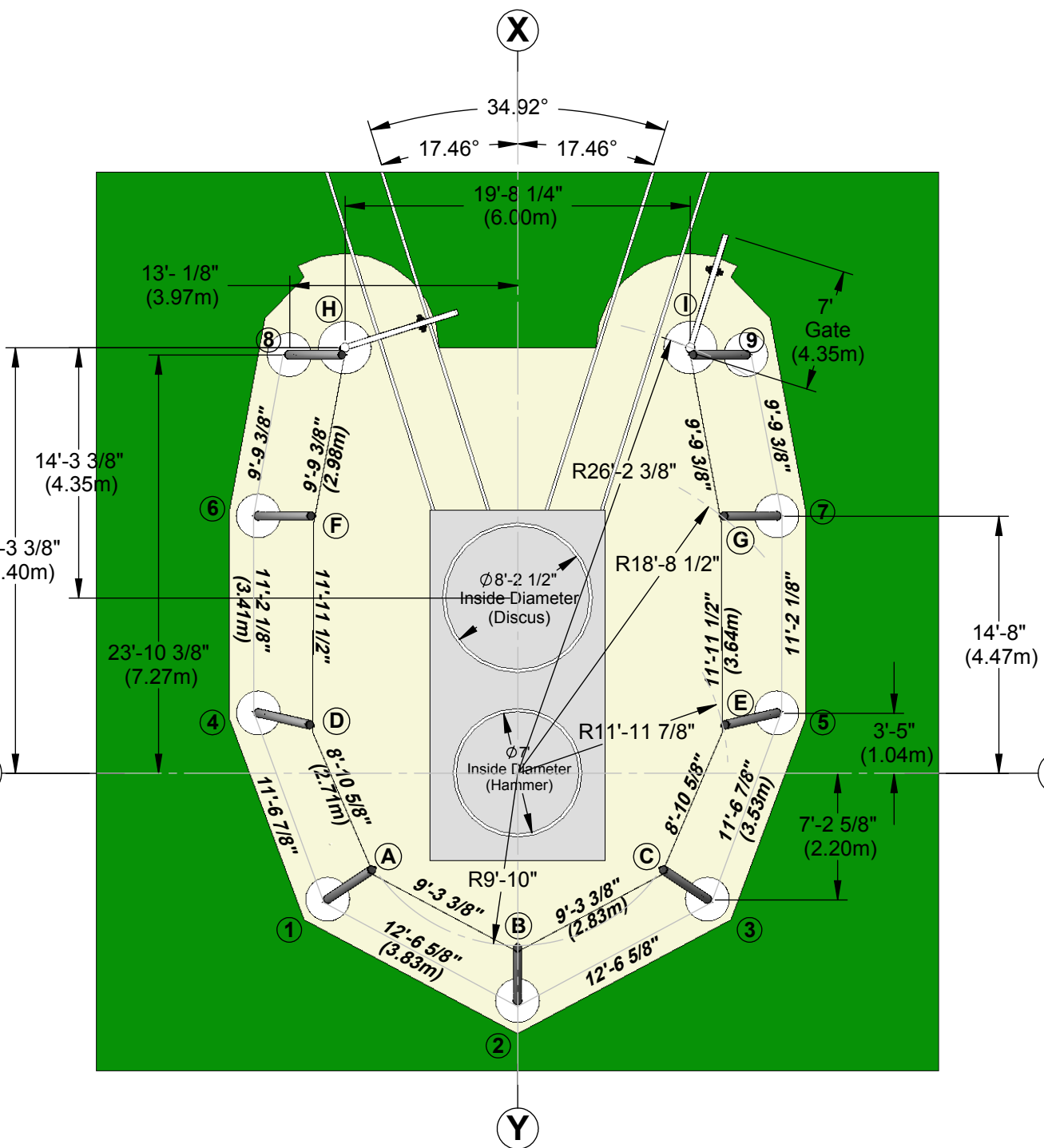
DESCRIPTION:
IHDC-DUAL - Dual-Pad IAAF Hammer-Discus Cage

NOTE:
Ground Sleeve Placements

MODEL: IHDC-DUAL	CATEGORY: CUSTOMER	DATE: 01/10/08
---------------------	-----------------------	-------------------

DWN. BY: ARP	CAD FILE: IHDC-DUAL Packet	DWG. NO. IHDC-DUAL-C-001
-----------------	-------------------------------	-----------------------------

IHDC-DUAL Dual-Pad IAAF Hammer-Discus Cage Plan View Layout



Meets & Exceeds All IAAF Rules & Specifications

Main Net Size = 33'-0" High x 79'-10" Perimeter
Optional Barrier Net Size = 8'-0" High x 92'-6" Perimeter



Aluminum Athletic Equipment
1000 Enterprise Drive, Royersford, PA 19468
Toll Free: (800) 523-5471 Fax: (610) 825-2378
www.AAEsports.com

DESCRIPTION: IHDC-DUAL - Plan View Layout		
NOTE: Dual-Pad IAAF Hammer-Discus Cage		
MODEL: IHDC-DUAL	CATEGORY: CUSTOMER	DATE: 01/10/08
DWN. BY: ARP	CAD FILE: IHDC-DUAL Packet	DWG. NO. IHDC-DUAL-C-001

6

5

4

3

2

1

IHDC-DUAL Dual-Pad IAAF Hammer-Discus Cage Gate Specifications

F

F

E

E

D

D

C

C

B

B

A

A

(20)(27) ← Overall Width → (21)

Steel cable is held onto the gate post with two collars, one at the top of the main net (33') and one at the bottom, and is tensioned using a turnbuckle at the bottom. A third collar halfway up the gate has an open eyebolt to thread the cable through to stop the cable from bowing due to net tension.

(4)

(28)(29)

40'-6"
Overall Height

31'-9"
Net Height

33'
Gate Height

Main cage netting attaches to gate using pear clips snapped to a steel cable every 18" to hold the net as close to the gate as possible.

Ground Level

See drawing no. HDC-C-001
HDC Wheel Assembly

6" Thick
Full Throwing-Area
Concrete Pad

90"
Ground Sleeve

(23)(24)(25)(26)(32)(33)



Aluminum Athletic Equipment
1000 Enterprise Drive, Royersford, PA 19468
Toll Free: (800) 523-5471 Fax: (610) 825-2378
www.AAEsports.com

DESCRIPTION:

IHDC-DUAL - Gate Specifications

NOTE:

Dual-Pad IAAF Hammer-Discus Cage

MODEL:

IHDC-DUAL

CATEGORY:

CUSTOMER

DATE:

01/10/08

DWN. BY:

ARP

CAD FILE:

IHDC-DUAL Packet

DWG. NO.

IHDC-DUAL-C-003

Factory-installed UHMW plug in the bottom of the ground sleeve to allows for smooth gate rotation

8"
Crushed Stone

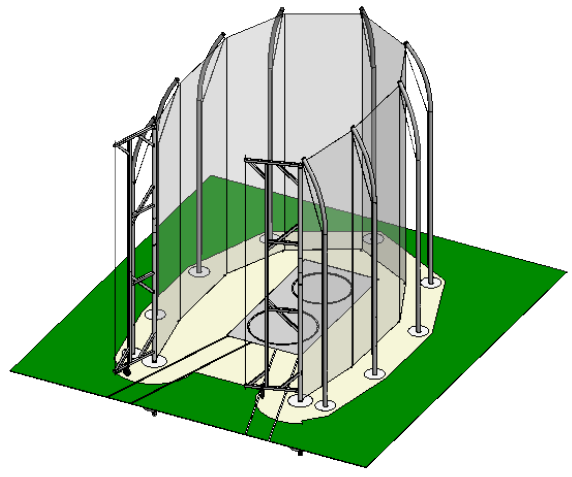
4

3

2

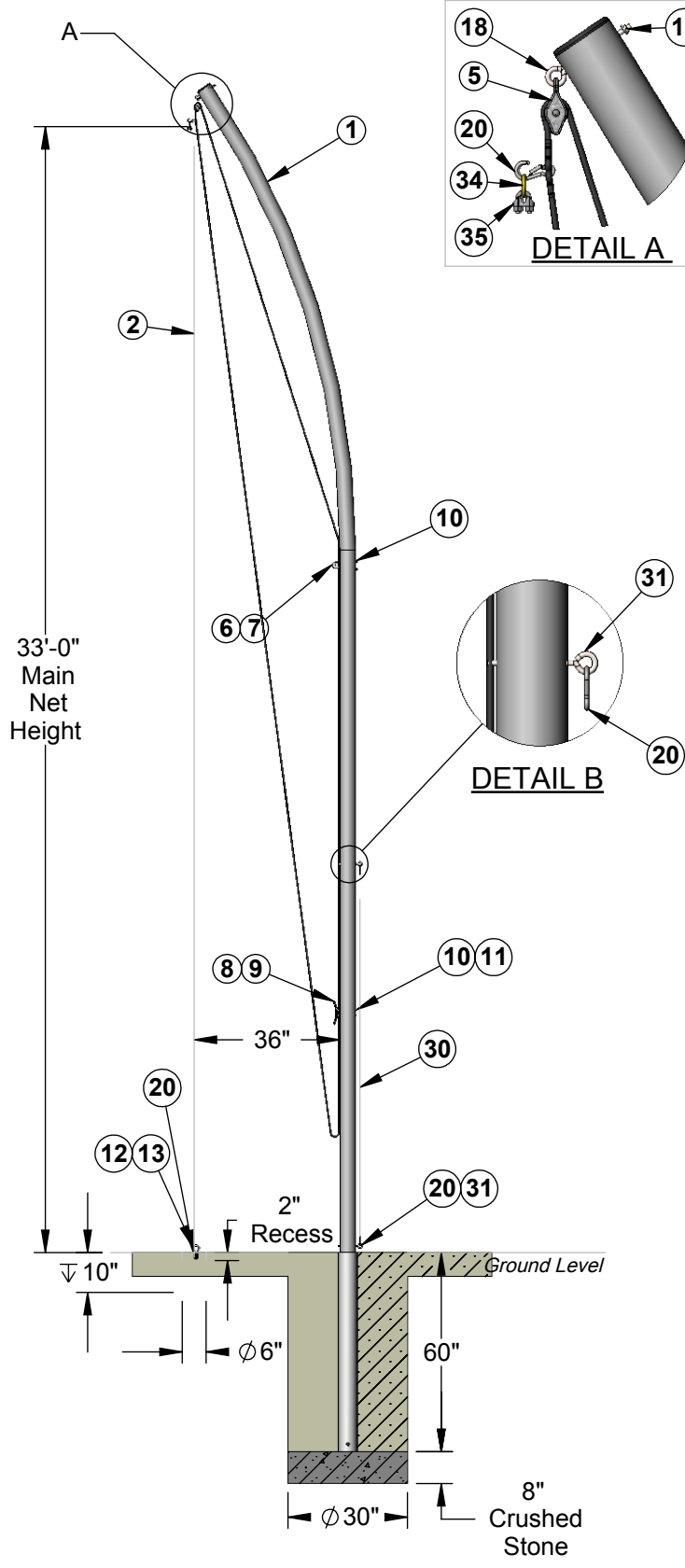
1

IHDC-DUAL Dual-Pad IAAF Hammer-Discus Cage Installation/Upright Specifications

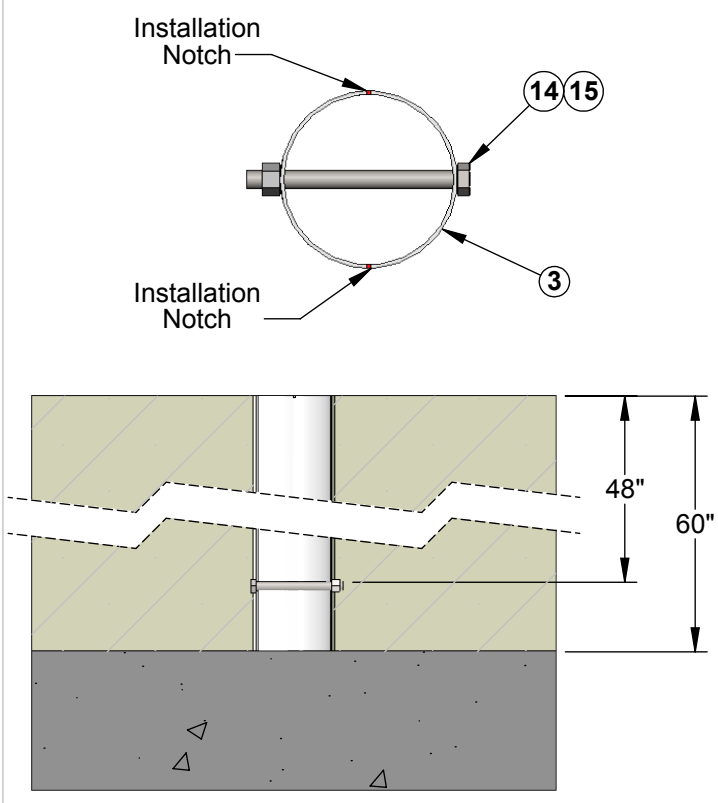


F
E
D
C
B
A

F
E
D
C
B
A



IHDC-DUAL Ground Sleeve



Aluminum Athletic Equipment
1000 Enterprise Drive, Royersford, PA 19468
Toll Free: (800) 523-5471 Fax: (610) 825-2378
www.AAEsports.com

DESCRIPTION: IHDC-DUAL - Installation/Upright Specifications		
NOTE: Dual-Pad IAAF Hammer/Discus Cage		
MODEL: IHDC-DUAL	CATEGORY: CUSTOMER	DATE: 01/10/08
DWN. BY: ARP	CAD FILE: IHDC-DUAL Packet	DWG. NO. IHDC-DUAL-C-004

**IHDC-DUAL
IAAF DUAL-PAD HAMMER DISCUS CAGE
PARTS LIST**

Pt#	Item	Description	Qty.
1	Upright	6.00" o.d. x .226 x 38'-0" aluminum tube, 36" arc offset, 6061T6	9
2	Main Net	#820H - 24' x 65', framed with 3/8" rope, B-treated, 1-3/4" square w/ integrated anti-sag cable	1
3	Upright Ground Sleeve	6.35" o.d. x .100" x 60" aluminum tube, 6061T6 with factory-installed stop bolt	9
4	Gate Ground Sleeve	6.35" o.d. x .100" x 90" aluminum tube, 6061T6 with factory-installed UHMW insert	2
5	Hanging Swivel Pulley	#3-5 fast eye, galvanized steel, swivel pulley	9
6	Fixed Pulley	#1 deck block galvanized steel pulley	9
7	Pulley Bolt	1/4"-20 x 4-1/2" hex bolt, s.s.	18
8	Cleat	6" galvanized steel cleat	9
9	Cleat Bolt	1/4"-20 x 5-1/2" hex bolt, s.s.	18
10	Hex Nut	1/4"-20 steel hex nylon lock nut, s.s.	36
11	Acorn Nut	1/4"-20 steel acorn nut, s.s.	18
12	Eyebolt	3/8"-16 x 2-1/2" eyebolt, s.s.	9
13	Concrete Anchor	3/8"-16 tampin insert, P25T	9
14	Hex Bolt	1/2"-13 x 5" steel hex bolt, s.s.	9
15	Hex Nut	1/2"-13 steel hex nylon lock nuts, 18-8 s.s.	9
16	*****	Not applicable for this model	***
17	Hoisting Rope	5/16" polypropylene black braided rope w/ pear clip, 40' long	9
18	Eyebolt	5/16"-18 x 6" steel eyebolt, s.s.	9
19	Hex Nut	5/16"-18 steel hex nylon lock nut, 18-8 s.s.	9
20	Pear Clip	Spring hook clip, 1/4" dia. (*2 extra per upright with optional barrier net)	60 (*78)
21	Main Gate Frame	Rotating Gate main frame (7'-0" x 20'-6" with 6" x 24'-10" post)	2
22	*****	Not applicable for this model	***
23	Fixed Caster	12" fixed caster, 15" high	2
24	Caster Bolt	3/8"-16 x 5" steel hex bolt, s.s.	8
25	Hex Nuts	3/8"-16 steel hex nylon lock nut, 18-8 s.s.	8
26	Washer	3/8" lock washer, s.s.	8
27	Vertical Gate Post Cable Assembly	Assembly comprised of: 1 ea. 21'-6" lg. 1/4" galvanized cable 2 ea. 1/4" galvanized thimbles 1 ea. Galvanized turnbuckle 3 ea. Galvanized post collars vinyl-coated black 2 ea. 3/8" -16 x 2 1/2" forged closed eyebolts 1 ea. 3/8" -16 x 2 1/2" forged open eyebolt 6 ea. 3/8" -16 hex nylon lock nuts, s.s.	2

**IHDC-DUAL
IAAF DUAL-PAD HAMMER DISCUS CAGE
PARTS LIST**

Pt#	Item	Description	Qty.
28	Gate Extension	Assembly comprised of:	2
	Cable	1 ea. 20'-6-1/2" lg. 1/4" galvanized cable	
	Assembly	2 ea. 1/4" galvanized thimbles	
		1 ea. Galvanized turnbuckle	
		2 ea. 3/8"-16 x 6" forged eyebolts	
		2 ea. 3/8" flat washers, s.s.	
		2 ea. 3/8" hex nylon lock nuts, s.s.	
29	Gate Net	N820H - 20' high, 29' around, 1 end open, framed, B-treated	2
*30	Barrier Net	N820H- 8'x 73' framed with 3/8" rope, B-treated	1
*31	Eyebolt (Barrier Net)	5/16" – 18 x 2-1/4" eyebolt, s.s. (optional)	18
32	Caster Plate	6 1/4" x 4 3/4" x 1/8" pre-drilled attachment plate	2
33	Caster Shims	4" x 5" aluminum shims to ensure constant contact between the gate wheel and the concrete pad; four 1/4" thick, two 1/8" thick	6
34	Brass Ring	1 1/4" Brass Ring	9
35	Cable Clamp	Galvanized Cable Clamp	9

*** OPTIONAL ITEMS FOR BARRIER NET**

FOR TECHNICAL ASSISTANCE, CALL 1-800-523-5471

K:\AAE Data\PDF Files\Z-Product Instructions & Parts Lists\Track & Field\IHDC-DUAL\IHDC-DUAL Parts List.doc
Copyright © 2011 Aluminum Athletic Equipment Co.

**IHDC-DUAL
IAAF DUAL-PAD HAMMER DISCUS CAGE
LAYOUT AND INSTALLATION INSTRUCTIONS**

LAYOUT - (Refer to Drawing No. IHDC-DUAL-C-001 & IHDC-DUAL-C-002 for details)

- Step No. 1 Using masonry string, establish perpendicular lines "MN" and "XY", which intersect at point "O", the center of the hammer circle.
- Step No. 2 Refer to drawing no. IHDC-DUAL-C-002 to locate points "1" thru "9".
NOTE: Points "1" thru "9" are the location of the Center of the ground sleeves (for the main uprights) to be installed.
- Step No. 3 Refer to drawing no. IHDC-DUAL-C-002 to locate points "A" thru "G".
NOTE: Points "A" thru "G" are the location of the Center of the concrete piers that will anchor the bottom of the main net.
- Step No. 4 Refer to drawing IHDC-DUAL-C-002 to locate points "H" and "I".
NOTE: Points "H" and "I" are the location of the center of the rotating gate ground sleeves to be installed.

INSTALLATION

- Step No. 1
Placing Ground
Sleeves
See Drawing No. IHDC-DUAL-C-001 & 002 for Steps 1-4
- Drill or dig 24"-30" diameter holes a minimum of 68" deep (**Consult local building codes for concrete depth and drainage requirements.**) at points "1" thru "9" and minimum 36" diameter and 98" deep at points "H" and "I" (Gate Sleeves). Fill the bottom of each hole with approximately 8" of crushed stone, so the depth from ground level to the top of the stone is 60" for holes "1" thru "9" and 90" for holes "H" and "I". Insert the upright ground sleeves (Item No. 3) at points "1" thru "9" ("bolt side" down). Make sure the ground sleeves are flush with the ground, centered, leveled, (individually, as well as with each other), and plumb. Also, rotate the ground sleeves so that the two (2) grooves (Installation notches) on top of the ground sleeve are aligned correctly - See drawing no. IHDC-DUAL-C-001 for details. A masons string or straight edge may be used to aid in the aligning process.
- NOTE: It is extremely important that the installation notches on top of the ground sleeve are in proper alignment, so the key slot in the main upright will lock the upright into its proper position when set into the ground sleeve.**
- Step No. 2
Placing Gate
Ground Sleeves
- Install the gate ground sleeves (Item No. 4) "UHMW side" down at points "H" and "I". Make sure the ground sleeves are flush with the ground, centered, and plumb. Be sure the inside depth of the ground sleeve to the UHMW insert is 84". The rotating gate ground sleeves have no installation notches, and thus require no special positioning.
- Step No. 3
Setting Main
- When all the ground sleeves are in the proper position and alignment, the concrete can be poured. **(Be sure not to get any concrete**

**IHDC-DUAL
IAAF DUAL-PAD HAMMER DISCUS CAGE
LAYOUT AND INSTALLATION INSTRUCTIONS**

Upright Ground Sleeves **inside the ground sleeves!)** As the concrete cures, constantly check to see that the ground sleeves are flush with the ground, centered, plumb, and in the correct alignment.

Step No. 4
Drilling & Pouring
Concrete Piers Drill or dig 6" diameter holes 10" deep (Consult local building codes for concrete depth and drainage requirements.) at points "A" thru "G". Fill void with concrete to a level 2" below ground level. While the concrete is still in a semi-pliable state, place the concrete tampin insert (Item No. 13) in the center of the pier so that the top of the insert is flush with the top level of the concrete. **(DO NOT get concrete inside the tampin insert!)**

When concrete has hardened, thread 3/8"-16 eyebolts w/ attached pear clips (Item Nos. 12 & 20) into inserts.

Step No. 5
Upright Assembly
**See Drawing No.
IHDC-DUAL-C-
004**

Attach swivel pulley, w/ attached eyebolt, (Item Nos. 5 & 18) to the top hole of the upright using a 5/16"-18 hex nylon lock nut (Item No. 19). (If there are 2 holes present at the top of the upright, mount the pulley and eyebolt through the **top** hole.)

Attach a fixed pulley (Item no. 6) through the middle set of holes using 1/4"-20 x 4-1/2" hex bolt (Item No. 7) and 1/4"-20 hex nylon lock nuts (Item No. 10).

Attach one cleat (Item No. 8) through the lower set of holes using 1/4"-20 x 5-1/2" hex bolts (Item No. 9) and 1/4"-20 hex nylon lock nuts (Item No. 10). Cap threads with 1/4" -20 acorn nuts (Item No. 11).

Thread hoisting rope (Item No. 17) with attached pear clip (Item No. 20) through top pulley, middle pulley, and secure to cleat.

After concrete cures, insert assembled upright into ground sleeve. Repeat procedures to assemble remaining uprights.

Step No. 6
Rotating Gate
Assembly
**See Drawing No.
IHDC-DUAL-C-
003 & HDC-C-001**

Attach Gate Extension Cable assembly (Item No. 28) by placing the 3/8"-16 x 6" closed eyebolts in the holes at the ends of the Main Gate Frame arms and securing with a 3/8" flat washer and 3/8"-16 hex nylon lock nuts. Adjust and tighten if necessary.

Attach 12" caster (Item No. 23) to bottom of Main Gate Frame using 3/8" hardware listed (Item Nos. 24, 25, & 26). Lay entire assembled gate horizontally on carpenter's horses. Open and spread out gate net envelope, and slide the open part of the envelope over the top, and down the gate. Lash the bottom of the gate net to the framework at the bottom of the gate.

Attach the Vertical Gate Post Cable Assembly (Item No. 27) to the pivot post of the rotating gate by placing the two post collars with closed eyebolts at the top of the post and just above ground level (84" from the bottom) and tighten into place. Tension the cable using the

IHDC-DUAL IAAF DUAL-PAD HAMMER DISCUS CAGE LAYOUT AND INSTALLATION INSTRUCTIONS

turnbuckle at the bottom of the cable. Position the third collar with the open eyebolt on the post halfway up the Vertical Gate Post Cable Assembly to reduce bowing due to net tension when the main cage net is raised. Adjust and tighten when necessary.

Using a mechanical hoisting device or crane (after concrete has cured), raise the assembled gate until it is perfectly perpendicular to the ground, and slowly lower the main post of the rotating gate into the ground sleeve. Use the included shims (Item No. 33) to adjust the height of the 12" caster so it remains in contact with the concrete pad through the gate's entire range of motion (See drawing no. HDC-C-001).

Repeat entire procedure to erect and install the other gate.

Step No. 7 Main Net Installation

Lower hoisting ropes on each post to about 4 ft. above ground level. (Keep end of rope secured to cleat so you don't lose the rope!). Clip each post's pear clip to the top border. Keep the net taut between each post to minimize net sag (refer to drawing no. IHDC-DUAL-C-002 for net distances between posts).

Raise the main net, and subsequently attach each end of the net to its respective Vertical Gate Post Cable Assembly using the pear clips provided (spaced EVERY 18 in.) Pear clips attach the net to the cable, but allow the net to be raised and lowered.

Raise the net all the way by the hoisting rope and secure the end of the rope firmly and professionally to the cleat. (Consult former Navy personnel or handbook for proper method.)

Once fully raised, pull the cable into the open eyebolt halfway up the post to reduce bowing due to net tension. Adjust and tighten the Vertical Gate Post Cable Assembly as necessary.

OPTIONAL Barrier Net Installation (Purchased separately)

Screw in eyebolts attached pear clips (Item Nos. 31 & 21) into threaded inserts located on the rear of each main upright (2 per upright). Clip the top and bottom of net to the pear clips on the back of each upright. Any excess net may be wrapped around and laced to the upright.

FOR TECHNICAL ASSISTANCE, CALL 1-800-523-5471

K:\AAE Data\PDF Files\Z-Product Instructions & Parts Lists\Track & Field\IHDC-DUAL\IHDC-DUAL Assembly Instructions.doc
Copyright © 2011 Aluminum Athletic Equipment Co.