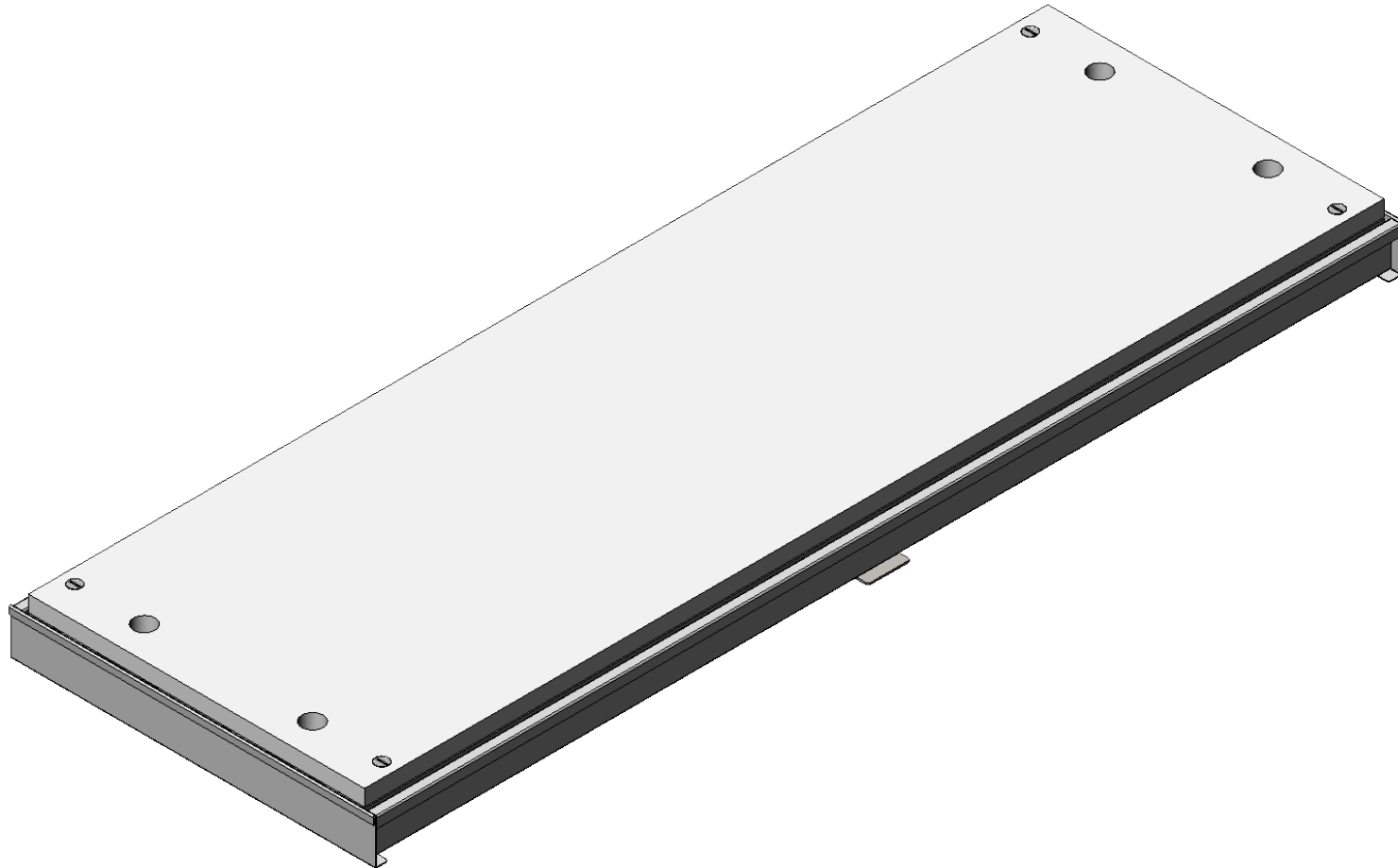


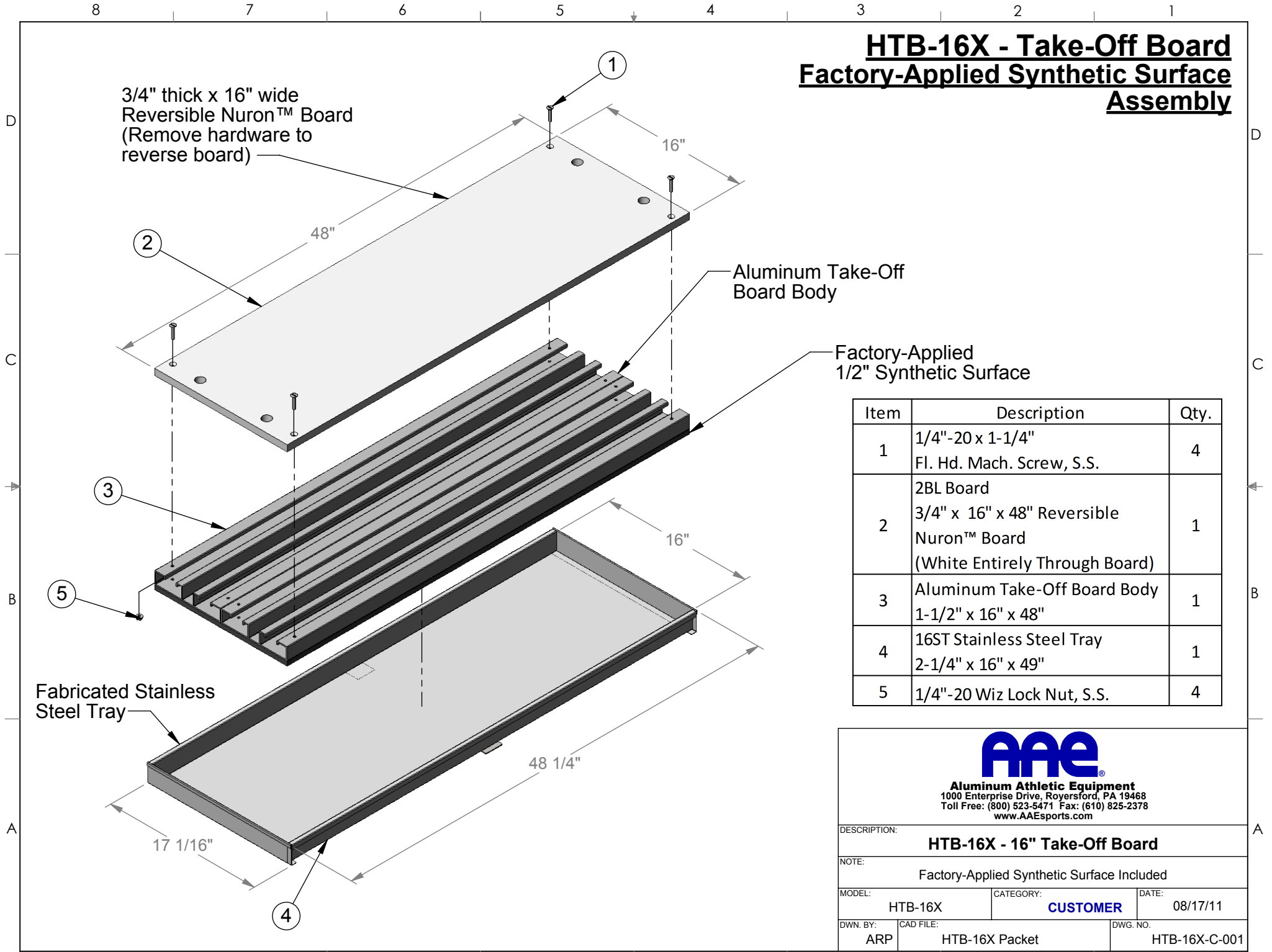
AAE Model: HTB-16X
Take-Off Board



Aluminum Athletic Equipment
1000 Enterprise Drive, Royersford, PA 19468
Toll Free: (800) 523-5471 Fax: (610) 825-2378
www.AAEsports.com

HTB-16X - Take-Off Board

Factory-Applied Synthetic Surface Assembly



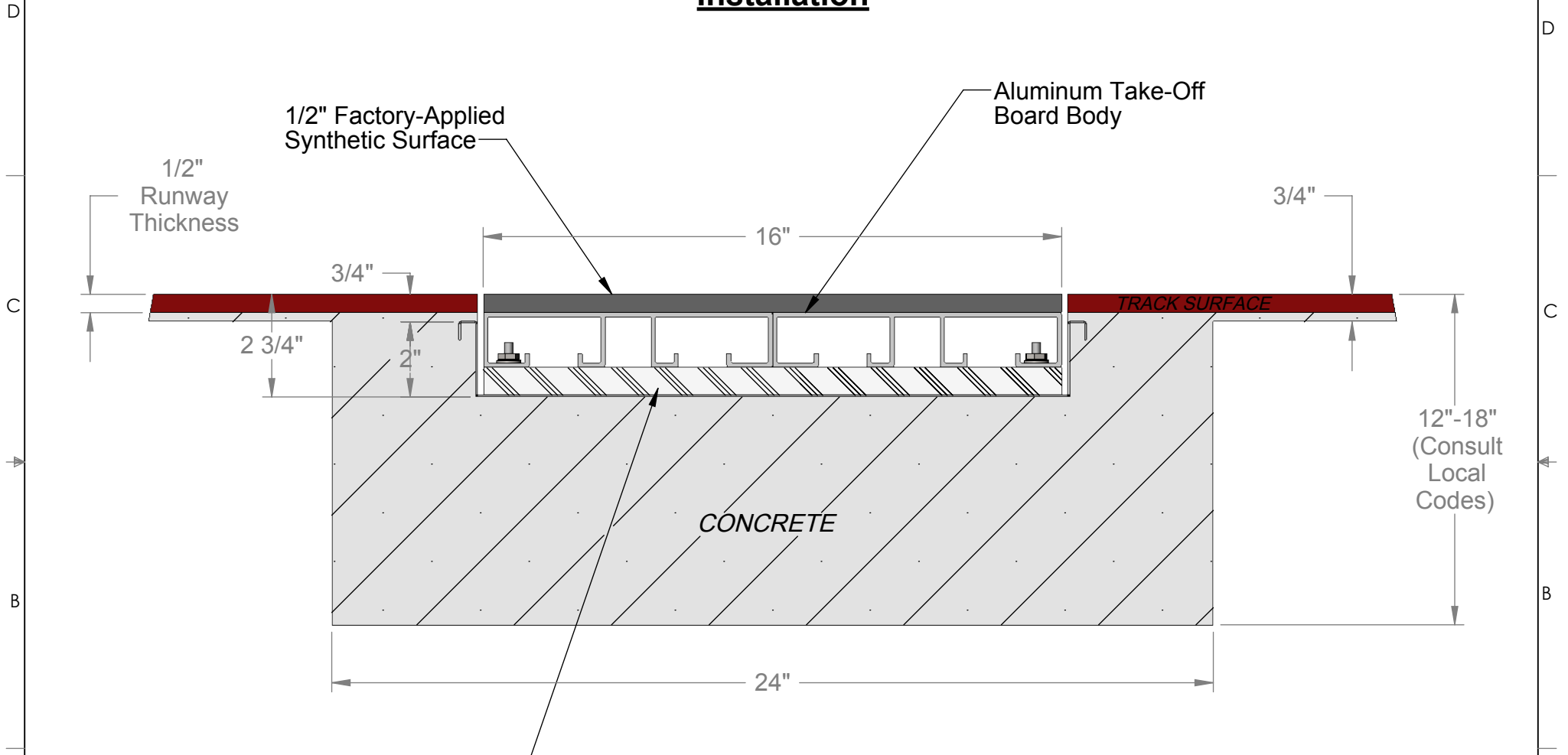
Item	Description	Qty.
1	1/4"-20 x 1-1/4" Fl. Hd. Mach. Screw, S.S.	4
2	2BL Board 3/4" x 16" x 48" Reversible Nuron™ Board (White Entirely Through Board)	1
3	Aluminum Take-Off Board Body 1-1/2" x 16" x 48"	1
4	16ST Stainless Steel Tray 2-1/4" x 16" x 49"	1
5	1/4"-20 Wiz Lock Nut, S.S.	4




Aluminum Athletic Equipment
1000 Enterprise Drive, Royersford, PA 19468
Toll Free: (800) 523-5471 Fax: (610) 825-2378
www.AAEsports.com

DESCRIPTION:		
HTB-16X - 16" Take-Off Board		
NOTE:		
Factory-Applied Synthetic Surface Included		
MODEL:	CATEGORY:	DATE:
HTB-16X	CUSTOMER	08/17/11
DWN. BY:	CAD FILE:	DWG. NO.:
ARP	HTB-16X Packet	HTB-16X-C-001

HTB-16X - 16" Take-Off Board Factory-Applied Synthetic Surface Installation



3/4" Thick Reversible
Nuron™ Take-Off Board



Aluminum Athletic Equipment
1000 Enterprise Drive, Royersford, PA 19468
Toll Free: (800) 523-5471 Fax: (610) 825-2378
www.AAEsports.com

DESCRIPTION:		
HTB-16X - Installation		
NOTE:		
16" Take-Off Board with Factory-Applied Synthetic Surface		
MODEL:	CATEGORY:	DATE:
HTB-16X	CUSTOMER	08/17/11
DWN. BY:	CAD FILE:	DWG. NO.:
ARP	HTB-16X Packet	HTB-16X-C-002