

# HSG-NFL-35 Goal Post (Hinged)

## Specifications

D  
C  
B  
A

Red Nylon Streamers  
4" wd. x 42" lg.  
(Included)

Ø 4" x .125" wall  
Aluminum Uprights  
(6061T6)

Aluminum Crossbar  
(Ø 5-9/16", .250", 6061T6)

Galvanized Steel  
Welded C-Channel  
w/ Gussets

Galvanized Steel  
Offset Center Post  
(5.563" o.d., .258" wall)

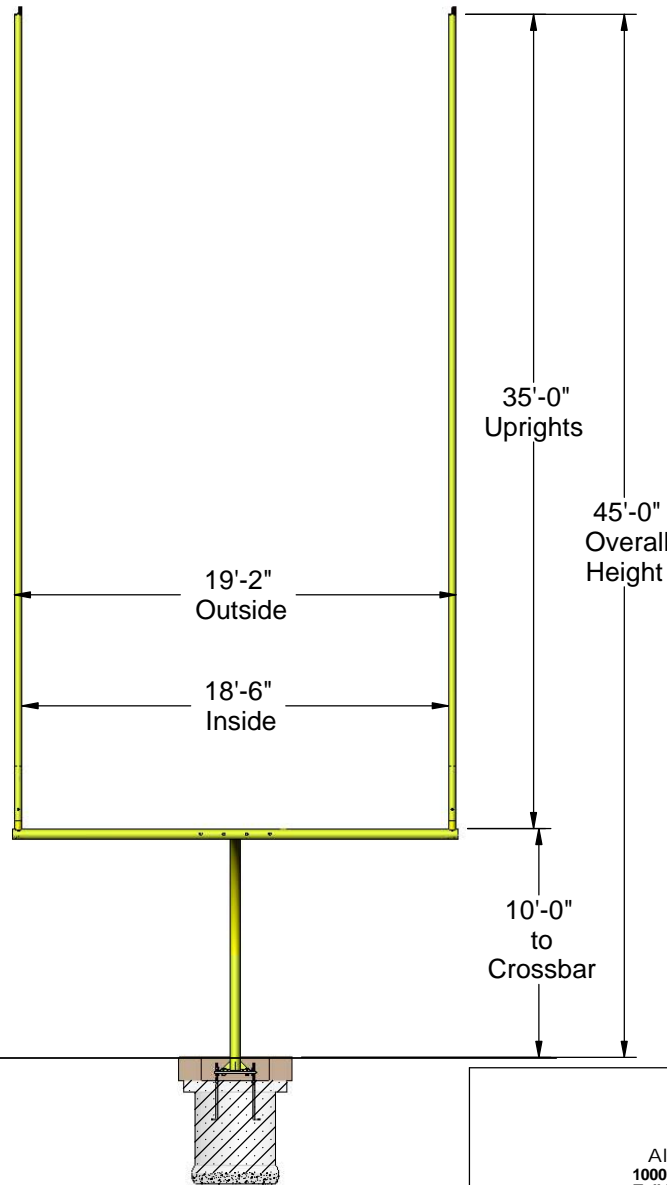
Galvanized Steel  
Welded Hoisting  
Bracket

R5'-0"

6'-0"  
Offset

Galvanized Steel  
Hinge with Removable  
Stainless Steel Pin  
and Cotter Pin

**SIDE VIEW**



**FRONT VIEW**



Aluminum Athletic Equipment  
1000 Enterprise Drive, Royersford, PA 19468  
Toll Free: (800) 523-5471 Fax: (610) 825-2378  
www.aesports.com

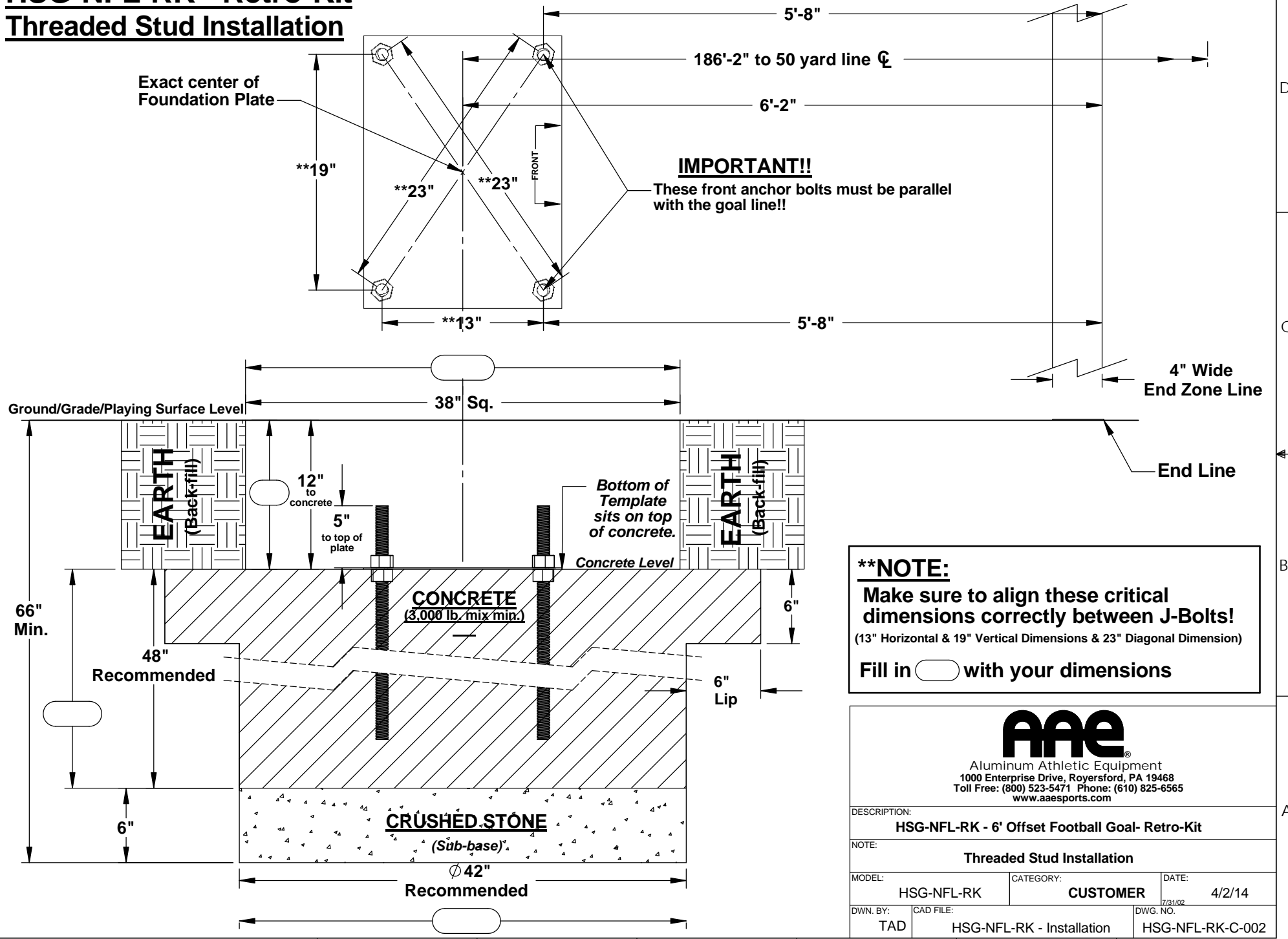
DESCRIPTION		
NFL Goal Post with 35' Uprights (Hinged) - Specifications		
NOTE:		
MODEL:	CATEGORY:	DATE:
HSG-NFL-35	CUSTOMER	10/3/02 R-4/4/14
DWN. BY:	CAD FILE:	DWG. NO.
TAD	HSG-NFL-35 Specifications	HSG-NFL-35-C-001

**\* The Entire Goal is wet-coated in a Day-Glo Saturn Yellow, per NFL specifications.**

# HSG-NFL-RK - Retro-Kit

## Threaded Stud Installation

D  
C  
B  
A

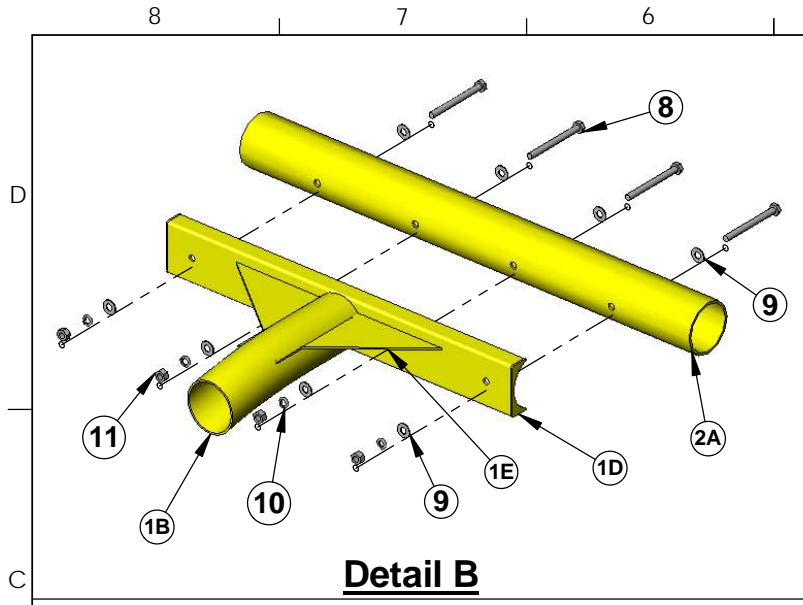


**\*\*NOTE:**  
**Make sure to align these critical dimensions correctly between J-Bolts!**  
 (13" Horizontal & 19" Vertical Dimensions & 23" Diagonal Dimension)  
 Fill in  with your dimensions

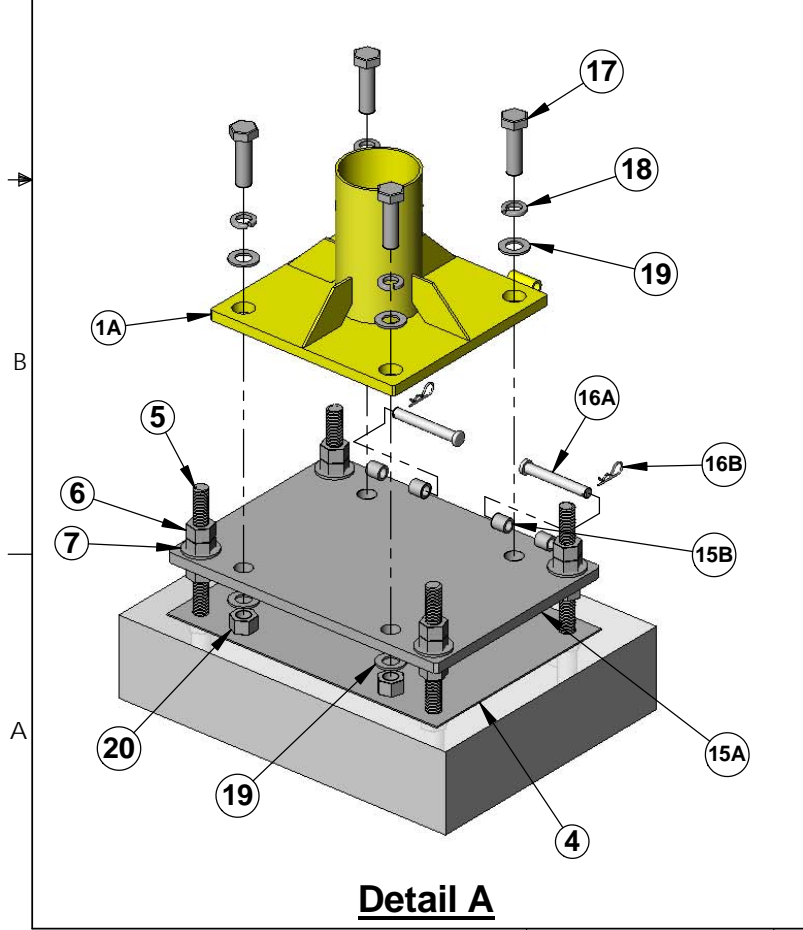


Aluminum Athletic Equipment  
 1000 Enterprise Drive, Royersford, PA 19468  
 Toll Free: (800) 523-5471 Phone: (610) 825-6565  
 www.aaesports.com

DESCRIPTION: <b>HSG-NFL-RK - 6' Offset Football Goal- Retro-Kit</b>		
NOTE: <b>Threaded Stud Installation</b>		
MODEL: HSG-NFL-RK	CATEGORY: <b>CUSTOMER</b>	DATE: 4/2/14
DWN. BY: TAD	CAD FILE: HSG-NFL-RK - Installation	DWG. NO. HSG-NFL-RK-C-002

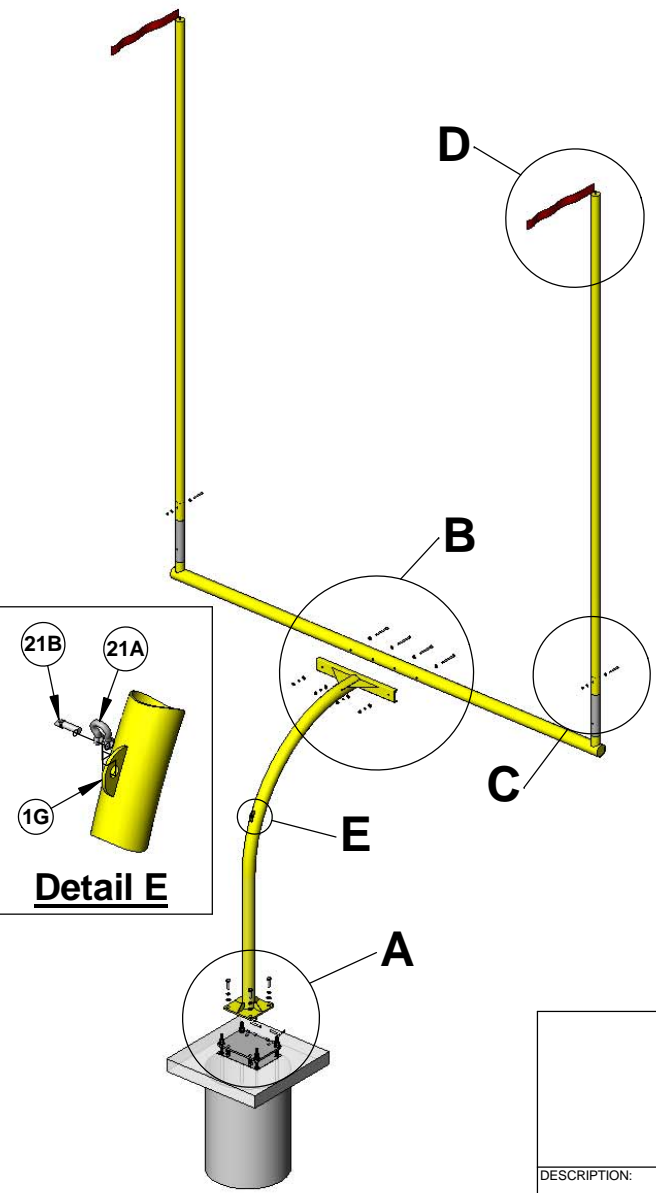


**Detail B**

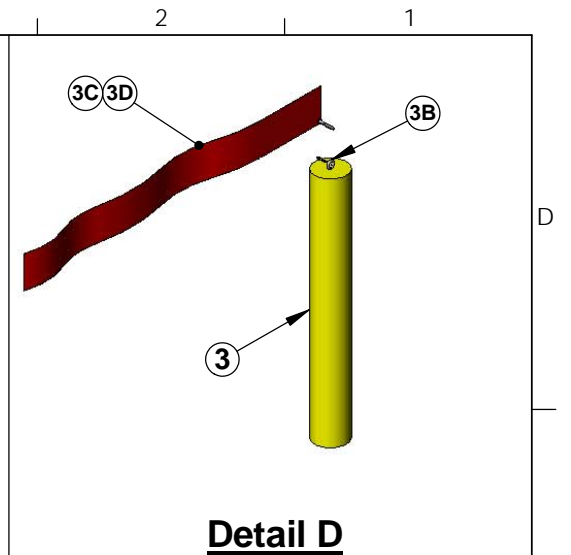


**Detail A**

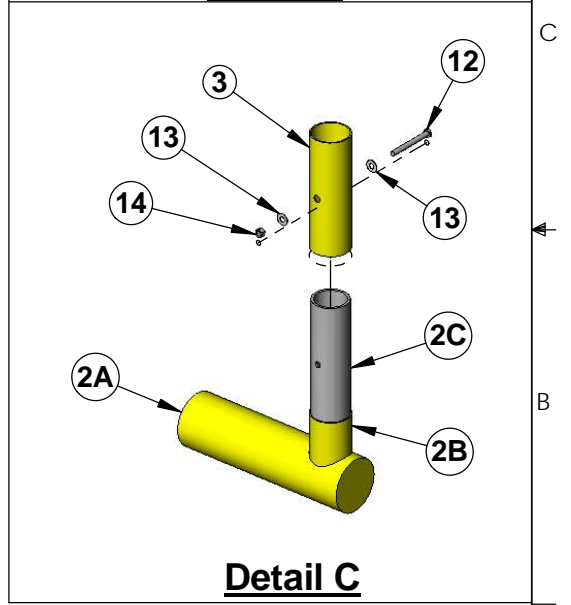
**HSG-NFL-35  
Assembly**



**Detail E**



**Detail D**



**Detail C**



Aluminum Athletic Equipment  
1000 Enterprise Drive, Royersford, PA 19468  
Toll Free: (800) 523-5471 Phone: (610) 825-6565  
www.aaesports.com

DESCRIPTION:			<b>HSG-NFL-35 - Assembly</b>		
NOTE:			Parts List Callout		
MODEL:	HSG-NFL-35	CATEGORY:	CUSTOMER	DATE:	6/1/05
DWN. BY:	TAD	CAD FILE:	HSG-NFL-35 - Assembly	DWG. NO.:	HSG-NFL-35-C-004