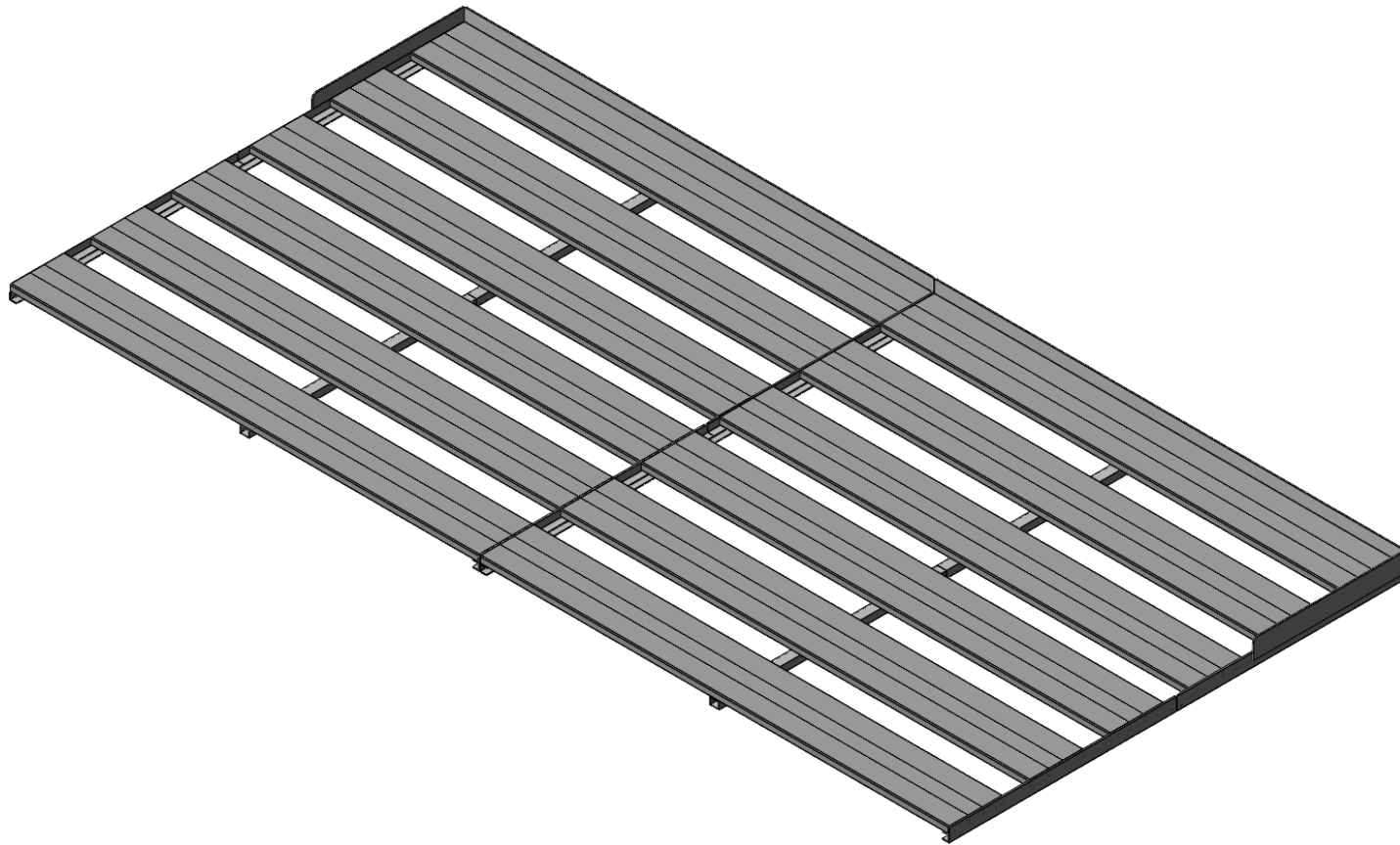


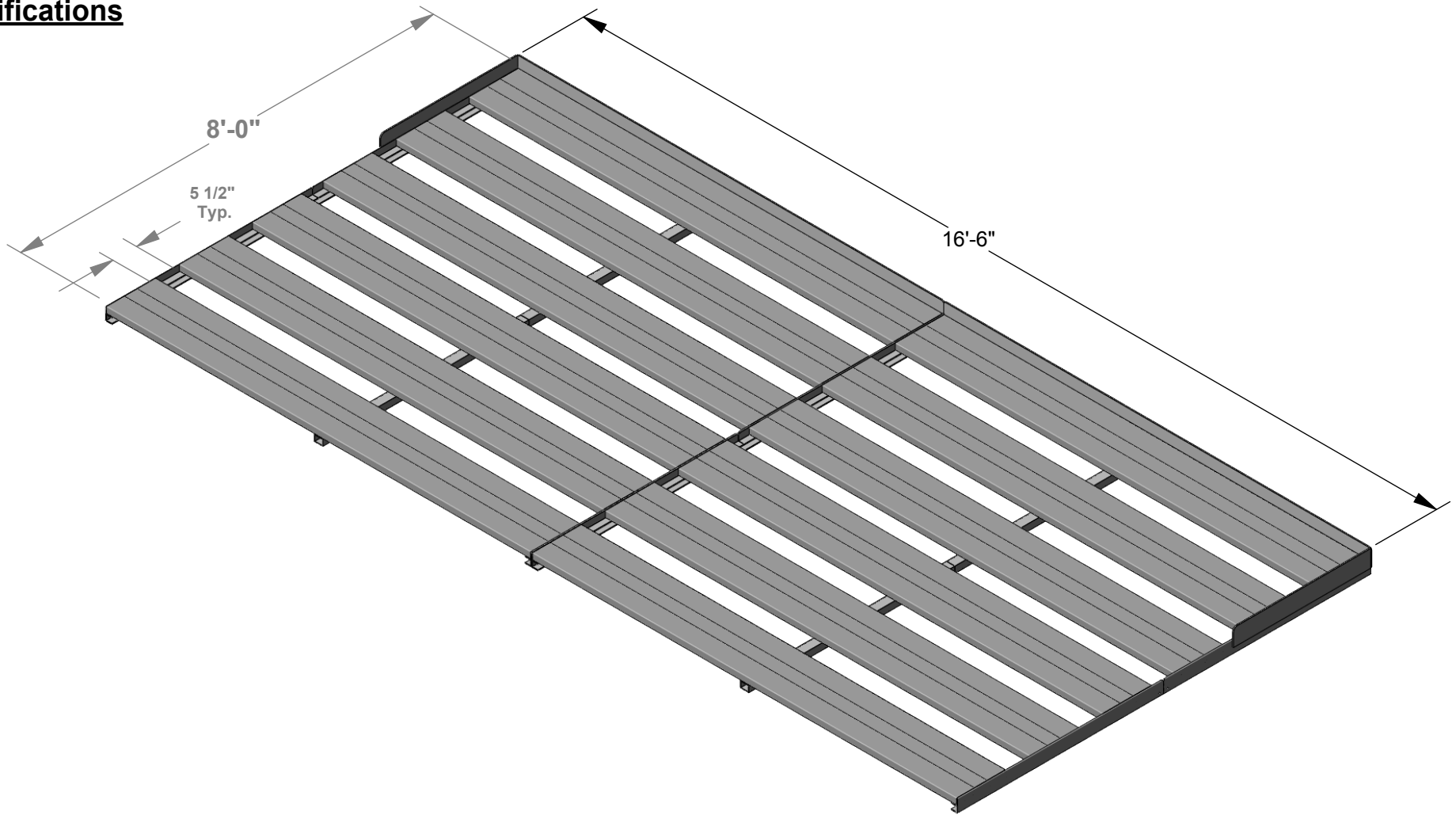
AAE Model No. HJP8-166
High Jump Landing Pad Platform



Aluminum Athletic Equipment
1000 Enterprise Drive, Royersford, PA 19468
Toll Free: (800) 523-5471 Fax: (610) 825-2378
www.AAEsports.com

HJP8-166

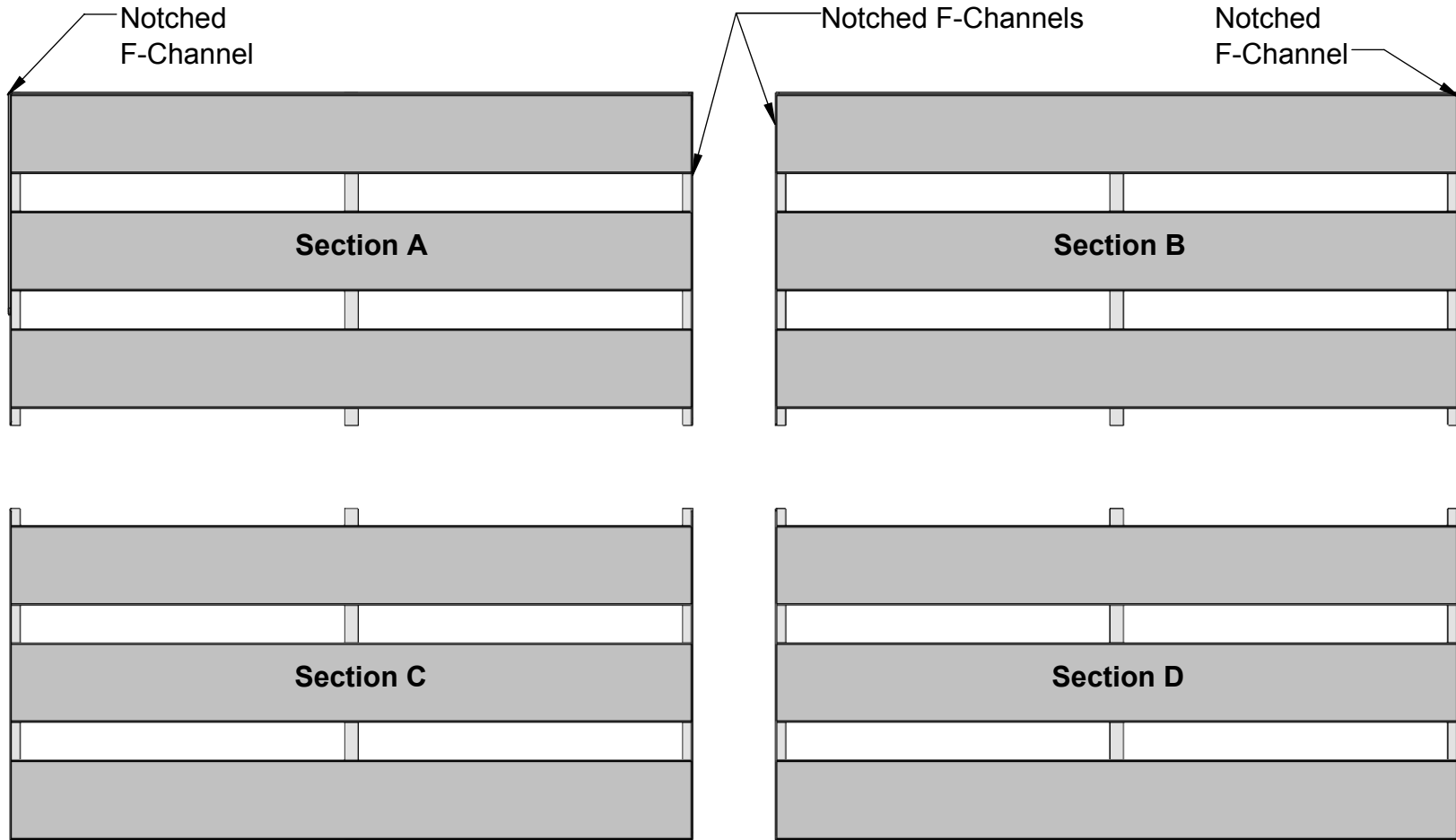
Specifications



Aluminum Athletic Equipment
 1000 Enterprise Drive, Royersford, PA 19468
 Toll Free: (800) 523-5471 Fax: (610) 825-2378
www.AAEsports.com

DESCRIPTION		
HJP8-166 Specifications		
NOTE:		
MODEL:	CATEGORY:	DATE:
HJP8-166	CUSTOMER	3/18/02
DRAWN BY:	CAD FILE:	DWG. NO.:
TAD	HJP8-166 Specifications	HJP8-166-C-001

HJP8-166 Assembly



Aluminum Athletic Equipment
 1000 Enterprise Drive, Royersford, PA 19468
 Toll Free: (800) 523-5471 Fax: (610) 825-2378
www.AAEsports.com

DESCRIPTION:				HJP8-166 Assembly			
NOTE:				Section Layout			
MODEL:	CATEGORY:	OPERATION:	DATE:				
HJP8-166	SHOP	1 of 1	12/19/2017				
DWN. BY:	CAD FILE:			DWG. NO.:			
CED	HJP8-166 (Assembly)			HJP8-166-S-001			

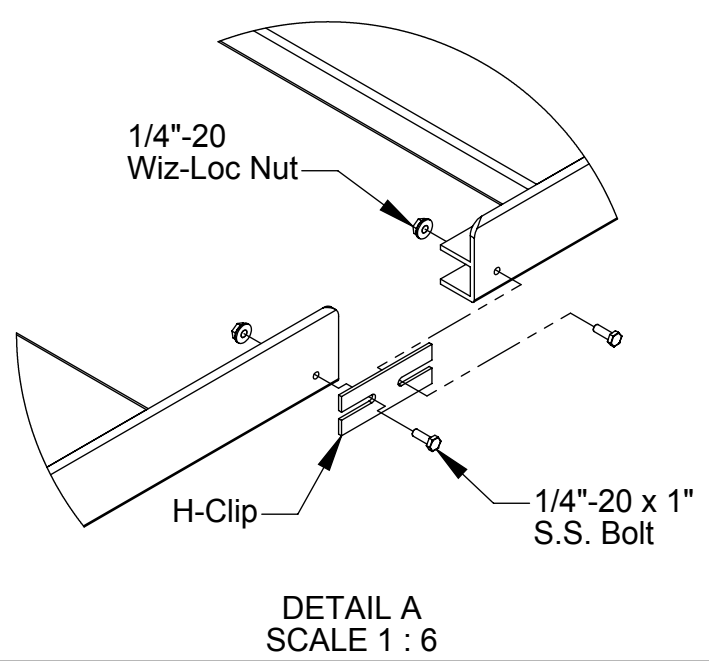
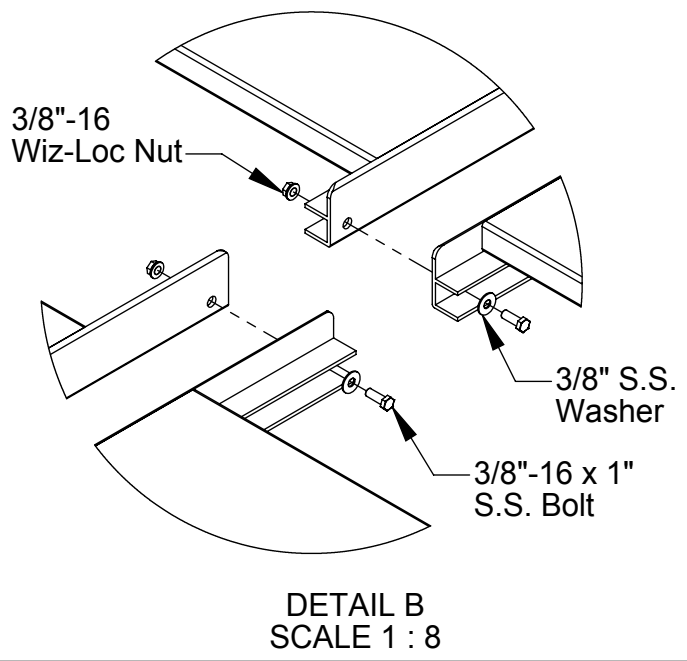
8 7 6 5 4 3 2 1

D

C

B

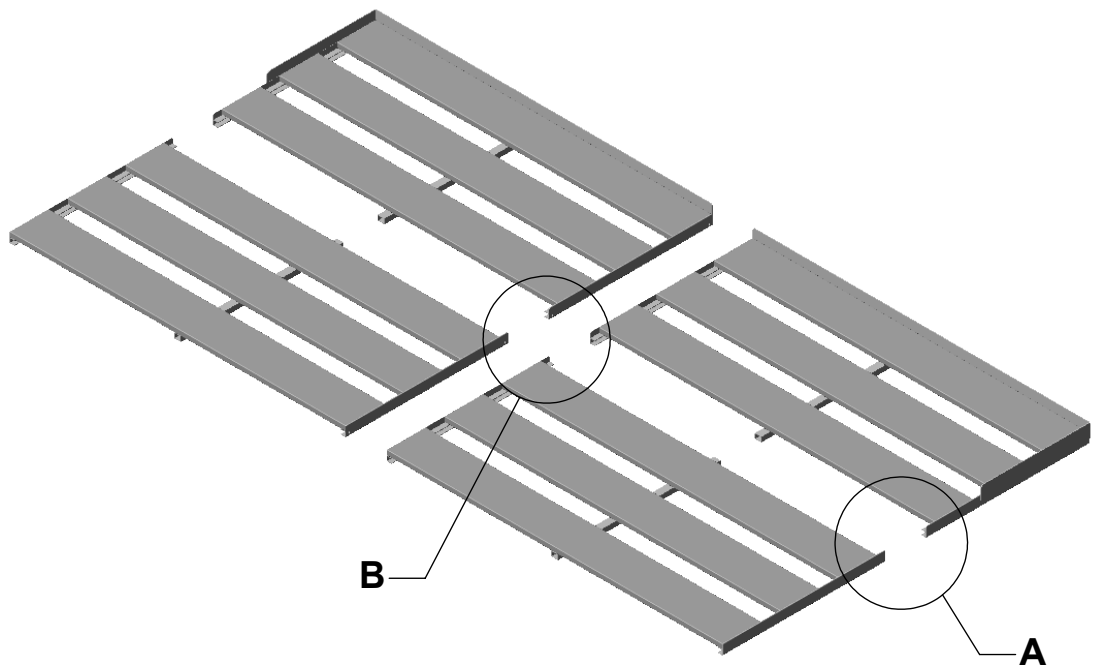
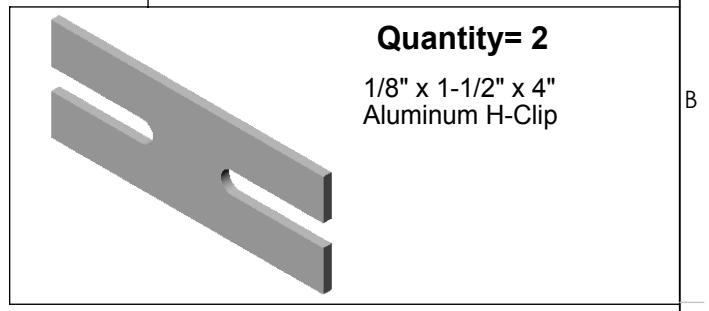
A



HJP8-166
Detailed Assembly

HARDWARE USED:

	Quantity= 4 1/4"-20 Stainless Steel Wiz-Loc Nuts
	Quantity= 4 1/4"-20 x 1" Stainless Steel Hex Bolts
	Quantity= 4 3/8"-16 Stainless Steel Wiz-Loc Nuts
	Quantity= 4 3/8" Stainless Steel Washer
	Quantity= 4 3/8"-16 x 1" Stainless Steel Hex Bolts



Aluminum Athletic Equipment
1000 Enterprise Drive, Royersford, PA 19468
Toll Free: (800) 523-5471 Fax: (610) 825-2378
www.AAEsports.com

DESCRIPTION		
HJP8-166 Detailed Assembly		
NOTE: Shows Hardware Assembly with H-Clips & Bolts		
MODEL:	CATEGORY:	DATE:
HJP8-166	CUSTOMER	3/18/02
DRAWN BY:	CAD FILE:	DWG. NO.
TAD	HJP8-166 Detailed Assembly	HJP8-166-C-002

6 5 4 3 2 1