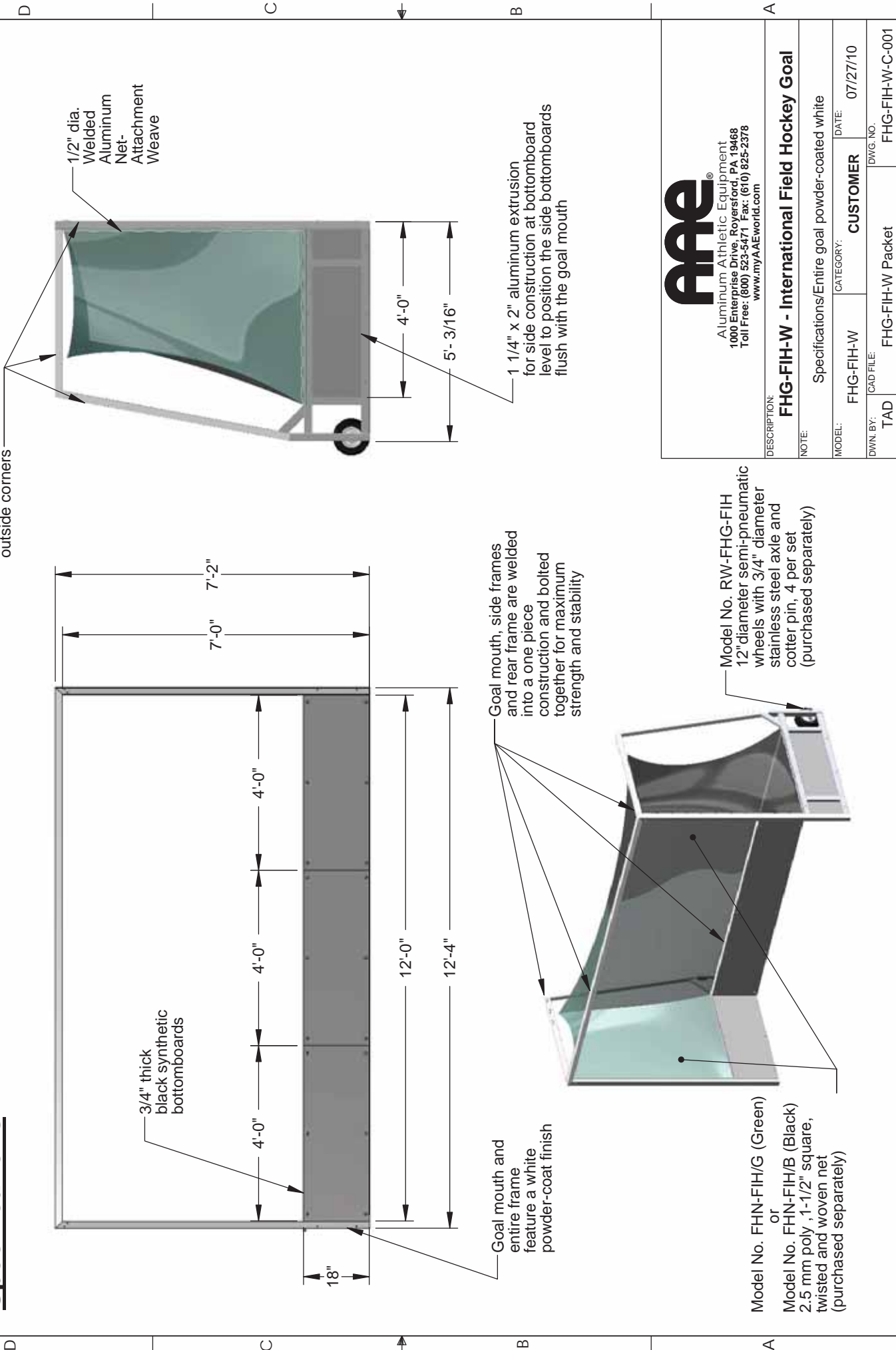


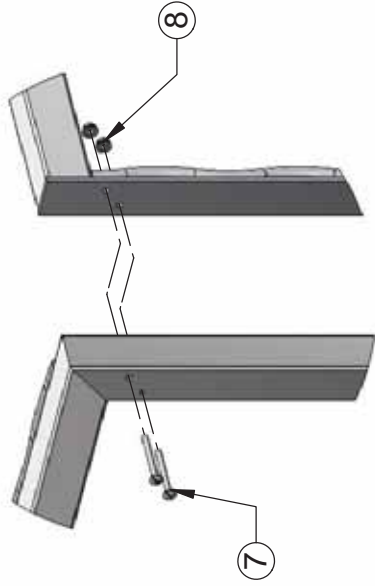
FHG-FIH-W International Field Hockey Goal Specifications



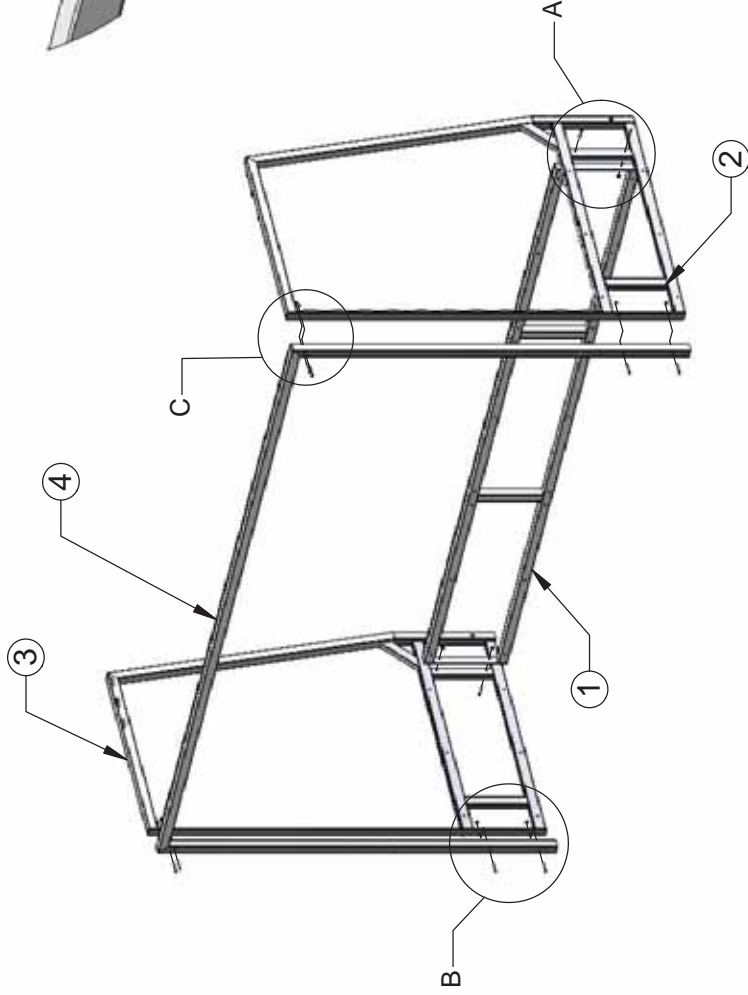
Aluminum Athletic Equipment
1000 Enterprise Drive, Royersford, PA 19468
Toll Free: (800) 523-5471, Fax: (610) 825-2378
www.nyAAEworld.com

DESCRIPTION: FHG-FIH-W - International Field Hockey Goal	
NOTE: Specifications/Entire goal powder-coated white	DATE: 07/27/10
MODEL: FHG-FIH-W	CATEGORY: CUSTOMER
DWN BY: TAD	CAD FILE: FHG-FIH-W Packet
DWG. NO. FHG-FIH-W-C-001	

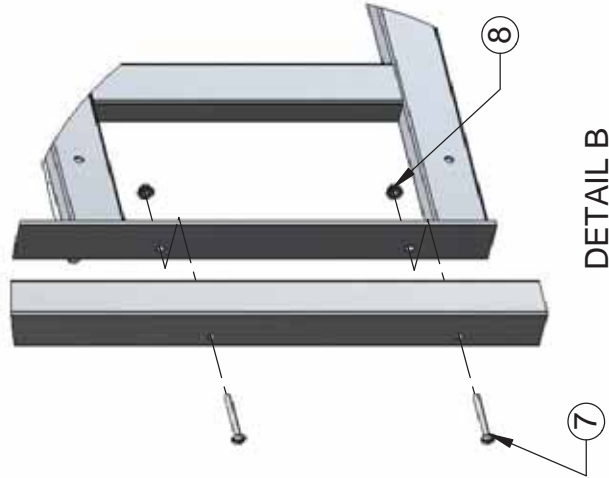
FHG-FIH International Field Hockey Goal Goal Assembly



DETAIL C
SCALE 1 : 8



DETAIL A
SCALE 1 : 8



DETAIL B
SCALE 1 : 8

Components in this Step

- 1) Back Panel
- 2) Left Panel
- 3) Right Panel
- 4) Front Panel

Hardware Used in this Step

- 8) 1/4"-20 x 2-1/2" Slot Truss Hd. M.S. = 12 Total
- 9) 1/4"-20 S.S. Wiz-Loc Nut = 12 Total



Aluminum Athletic Equipment
1000 Enterprise Drive, Royersford, PA 19468
Toll Free: (800) 523-5471, Fax: (610) 825-2378
www.myAAEworld.com

FHG-FIH - Goal Assembly

International Field Hockey Goal

DATE: 07/27/10

MODEL: FHG-FIH CUSTOMER

DWG. NO. FHG-FIH-C-002

TAD CAD FILE: FHG-FIH Packet

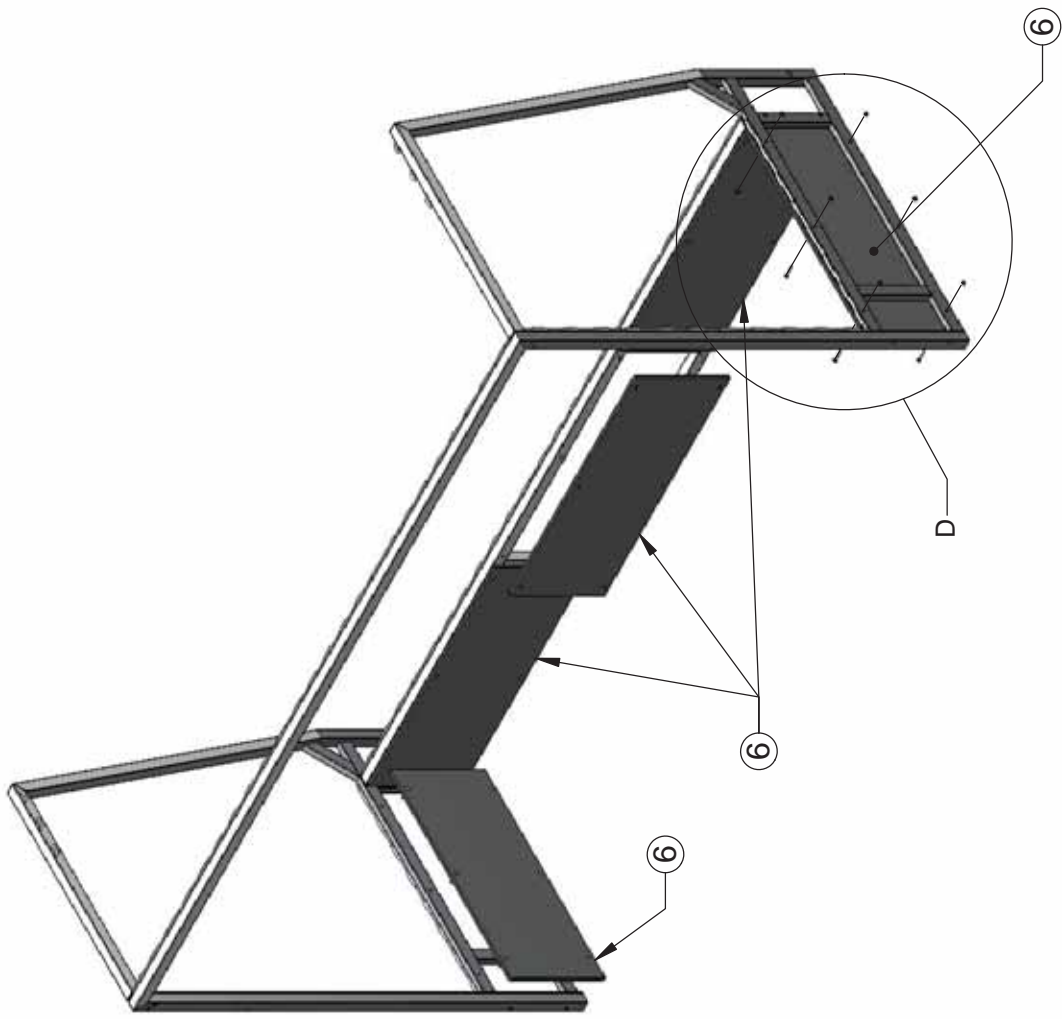
FHG-FIH **International Field Hockey Goal** **Bottom Board Assembly**

Components in this Step:

- 6) Back Bottom Boards
- 7) Side Bottom Boards

Hardware Used in this Step:

- 9) 1/4"-20 Wiz-Loc Nut = 60 Total
- 10) 1/4"-20 x 2" Carriage Bolt = 24 Total
(USE ON SIDE BOTTOM BOARDS)
- 11) 1/4"-20 x 2-3/4" Carriage Bolt = 36 Total
(USE ON BACK BOTTOM BOARDS)



Aluminum Athletic Equipment
1000 Enterprise Drive, Royersford, PA 19468
Toll Free: (800) 523-5471, Fax: (610) 825-2378
www.myAAEworld.com

DESCRIPTION:

FHG-FIH - Bottom Board Assembly

NOTE:

International Field Hockey Goal

MODEL:

FHG-FIH

CATEGORY:

CUSTOMER

DATE:

07/28/10

DWN BY:

TAD

CAD FILE:

FHG-FIH Packet

DWG. NO.:

FHG-FIH-C-003