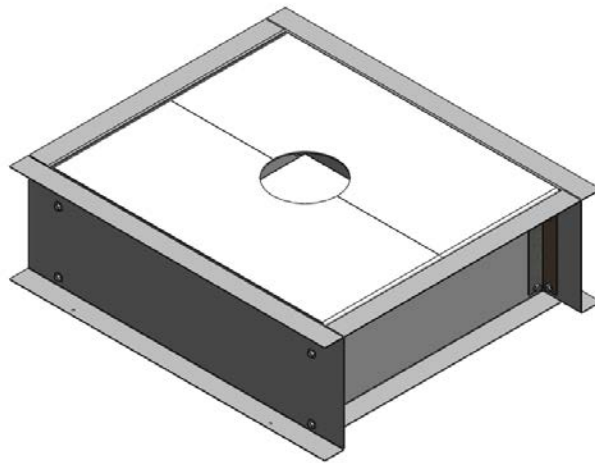


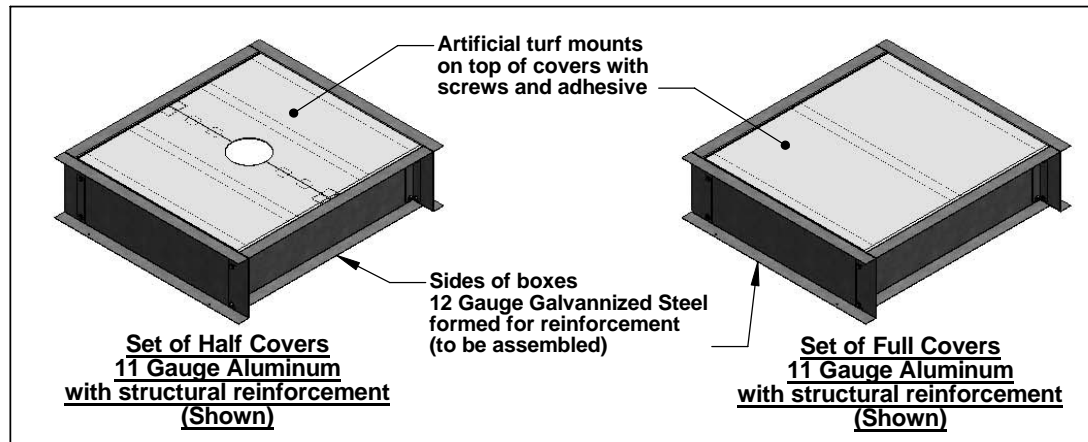
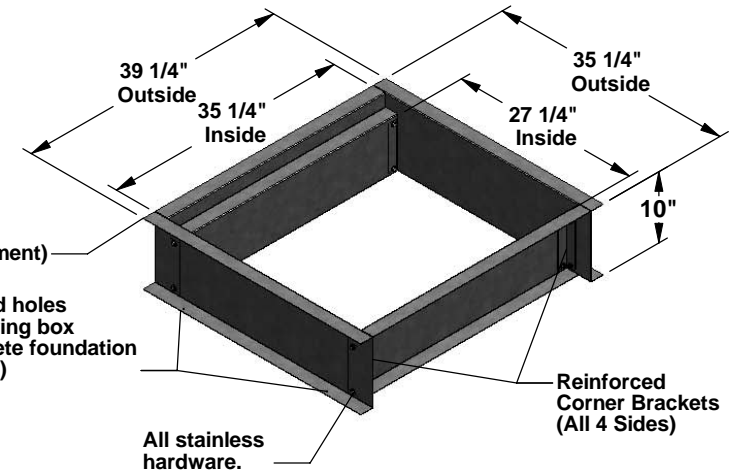
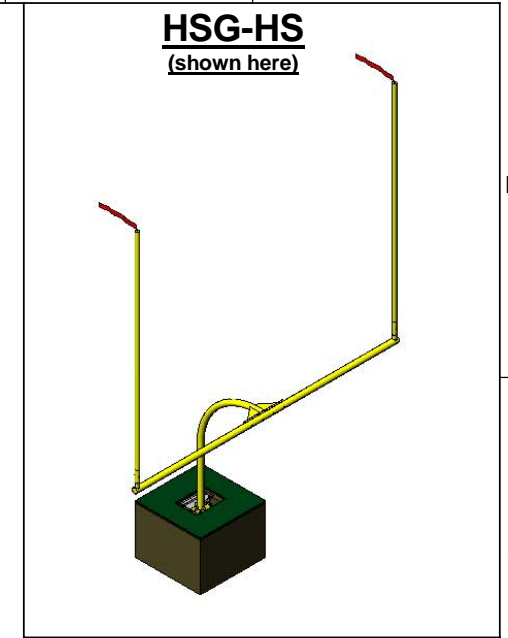
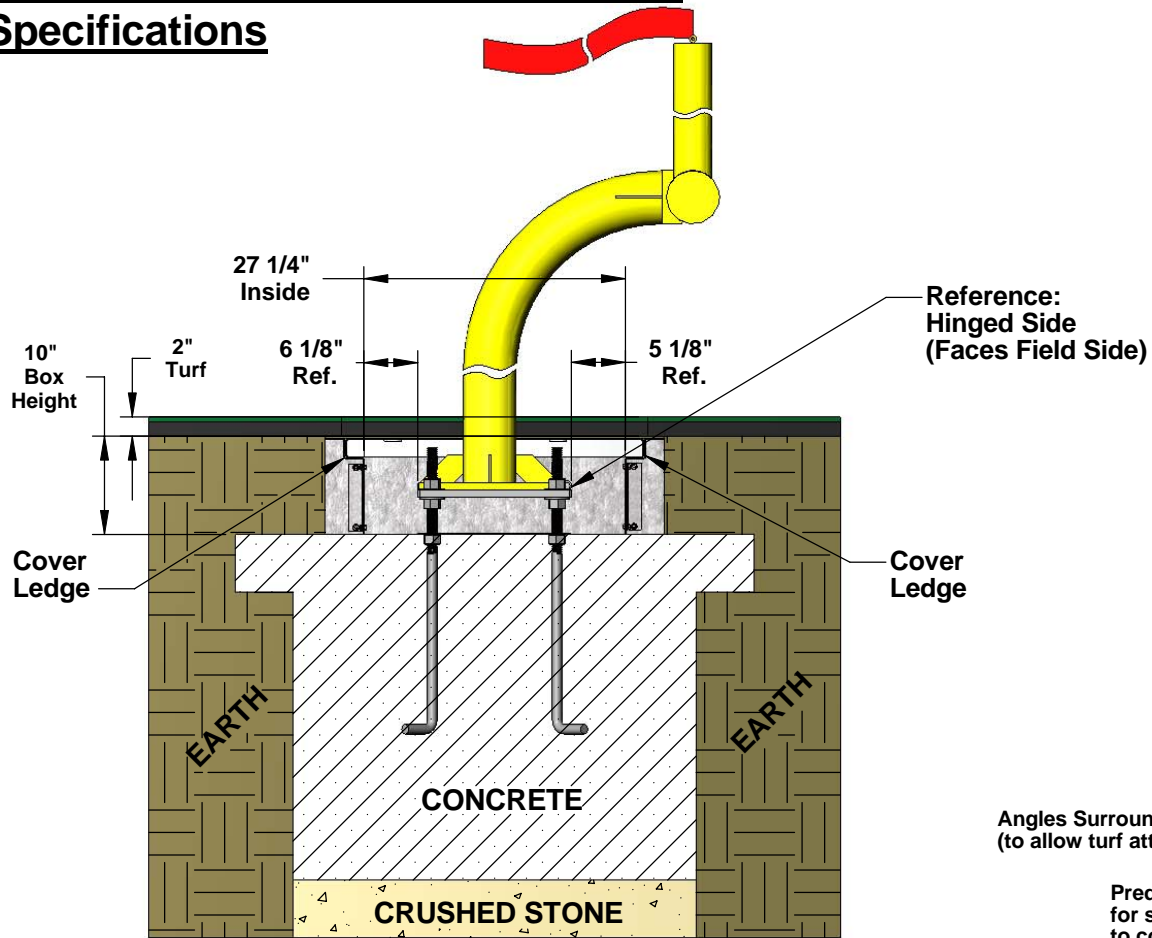
**FBC-GA/HSG**  
**FOUNDATION BOX & COVERS**  
**HSG MODEL FOOTBALL GOALS**



**Specification & Installation**  
**Packet**



# FBC-GA/HSG - Foundation Box Specifications



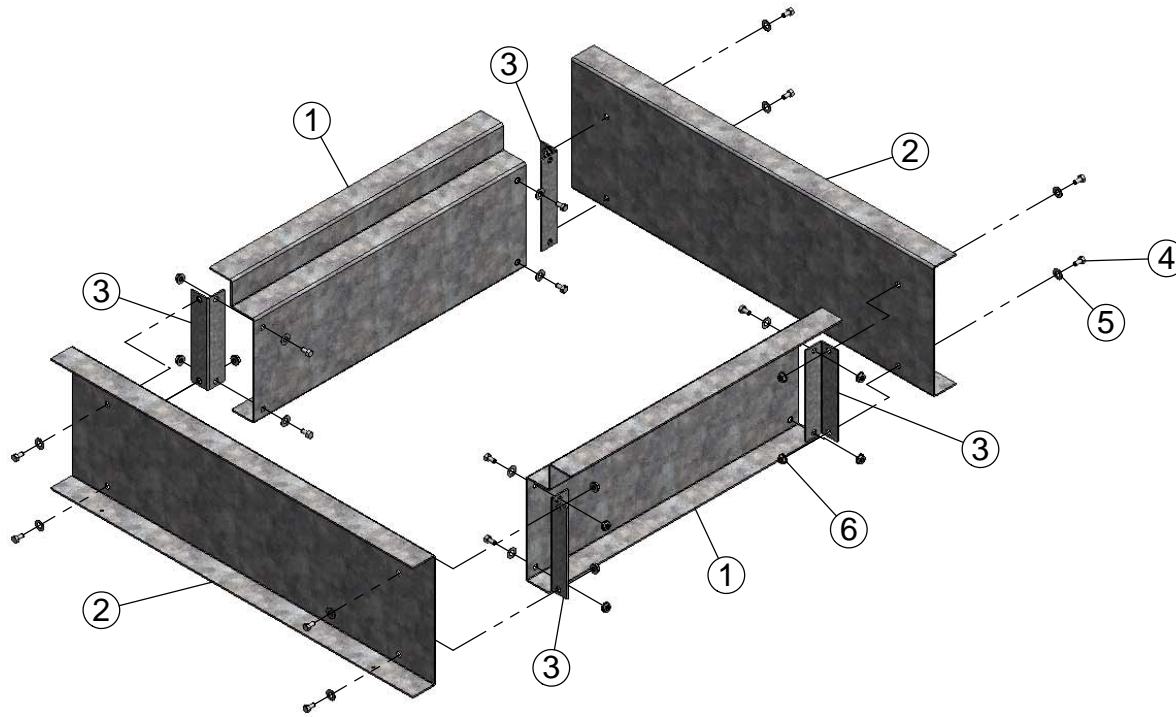
**AAE**  
 Aluminum Athletic Equipment  
 1000 Enterprise Drive, Royersford, PA 19468  
 Toll Free: (800) 523-5471 Fax: (610) 825-2378  
 www.aaesports.com

DESCRIPTION:  
**FBC-GA/HSG - Foundation Box & Covers - Specifications**

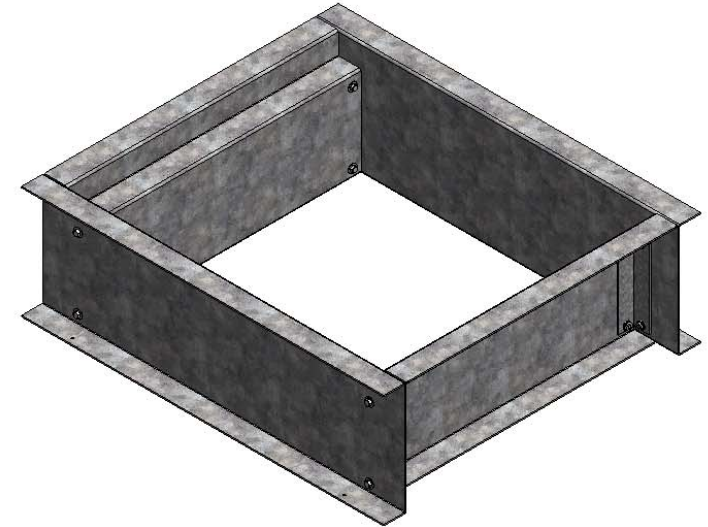
NOTE:  
 Galvannize & Aluminum Foundation Box Components

MODEL: FBC-GA/HSG	CATEGORY: CUSTOMER	DATE: 1/29/05
DWN. BY: TAD	CAD FILE: FBC-GA/HSG - Specifications	DWG. NO. FBC-GA/HSG-C-001

# FBC-GA - Foundation Box Assembly




**Unassembled Box (Callout)**



**Assembled Box**

ITEM NO.	PART NUMBER	DESCRIPTION	QTY./Box	QTY./Set
1	65400(ASG)/65403(HSG)	FBC-GA Side "A" with Ledge	2	4
2	65401(ASG)/65404(HSG)	FBC-GA Side "B"	2	4
3	65402 (ASG & HSG)	FBC-GA Corner Brackets	4	8
4	35114	5/16-18 x 3/4" Bolt, 18-8 Stainless Steel	16	32
5	35240	5/16 Flat Washer, 18-8 Stainless Steel	16	32
6	35167	5/16-18 Flange Nut, 18-8 Stainless Steel	16	32



Aluminum Athletic Equipment  
 1000 Enterprise Drive, Royersford, PA 19468  
 Toll Free: (800) 523-5471 Fax: (610) 825-2378  
[www.myAAEworld.com](http://www.myAAEworld.com)

DESCRIPTION: **FBC-GA - Foundation Box - Assembly**

NOTE: Callout Sheet for ASG & HSG Model Boxes

MODEL: FBC-GA	CATEGORY: <b>CUSTOMER</b>	DATE: 12/10/13
DWN. BY: TAD	CAD FILE: FBC-GA - Assembly	DWG. NO. FBC-GA-C-003