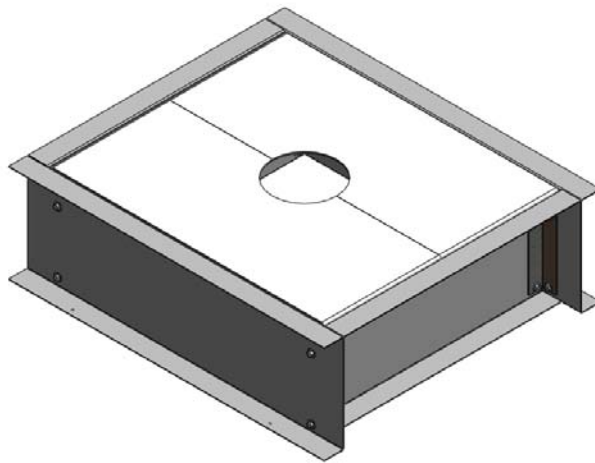


FBC-GA/ASG
FOUNDATION BOX & COVERS
ASG MODEL FOOTBALL GOALS

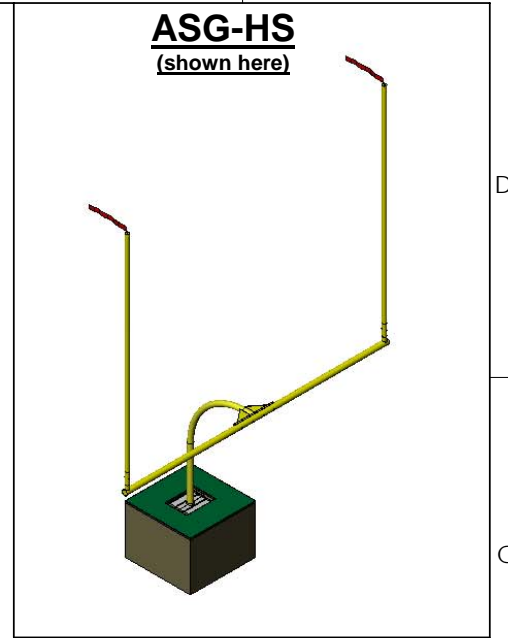
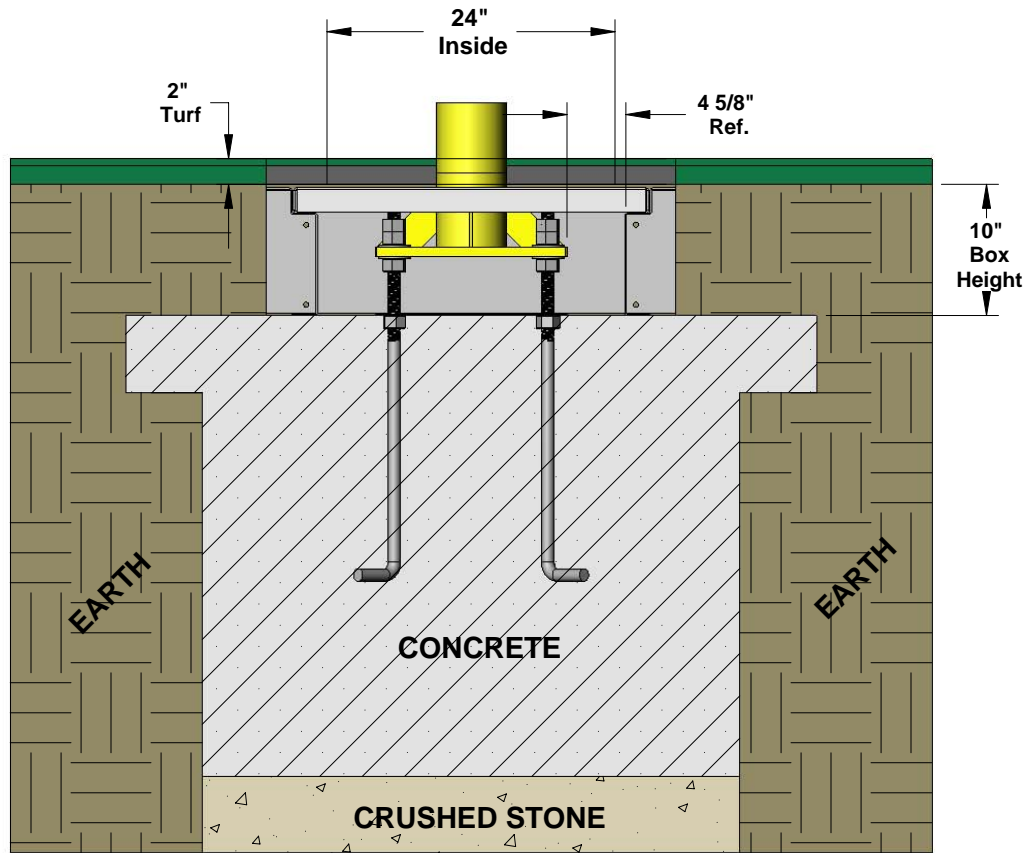


Specification & Installation
Packet



FBC-GA/ASG - Galvanealed & Aluminum Box Specifications

D



D

C

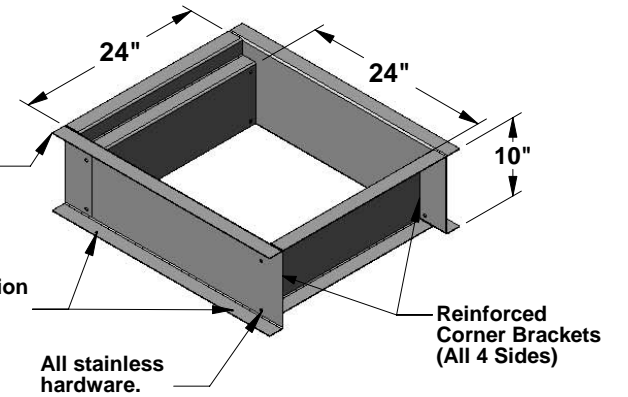
C

B

B

Angles Surrounds (to allow turf attachment)

Predrilled holes for securing box to concrete foundation (4 places)

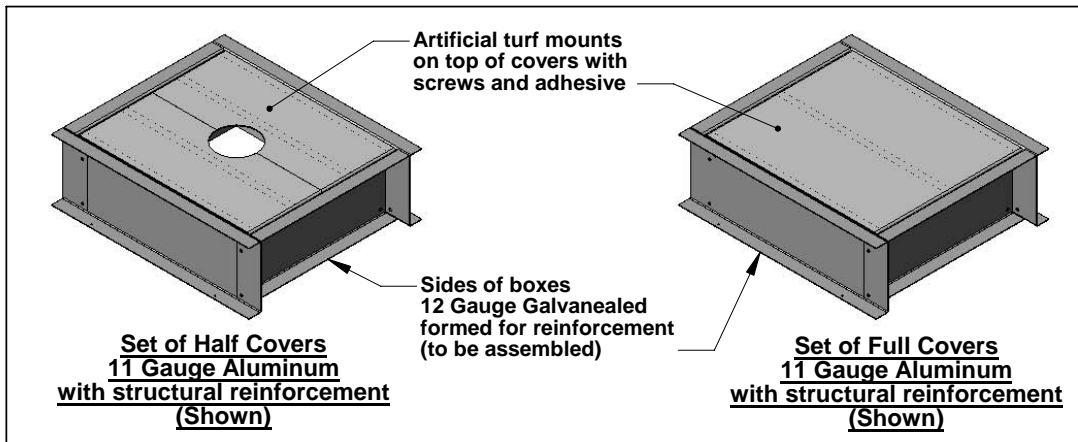


Reinforced Corner Brackets (All 4 Sides)

All stainless hardware.

A

A



**Set of Half Covers
11 Gauge Aluminum
with structural reinforcement
(Shown)**

**Set of Full Covers
11 Gauge Aluminum
with structural reinforcement
(Shown)**



Aluminum Athletic Equipment
1000 Enterprise Drive, Royersford, PA 19468
Toll Free: (800) 523-5471 Phone: (610) 825-6565
www.aaesports.com

DESCRIPTION: FBC-GA/ASG - Foundation Box & Cover - Specifications		
NOTE: Galvanealed & Aluminum Foundation Box Components		
MODEL: FBC-GA/ASG	CATEGORY: CUSTOMER	DATE: 1/29/05
DWN. BY: TAD	CAD FILE: FBC-GA/ASG - Specifications	DWG. NO. FBC-GA/ASG-C-001

6

5

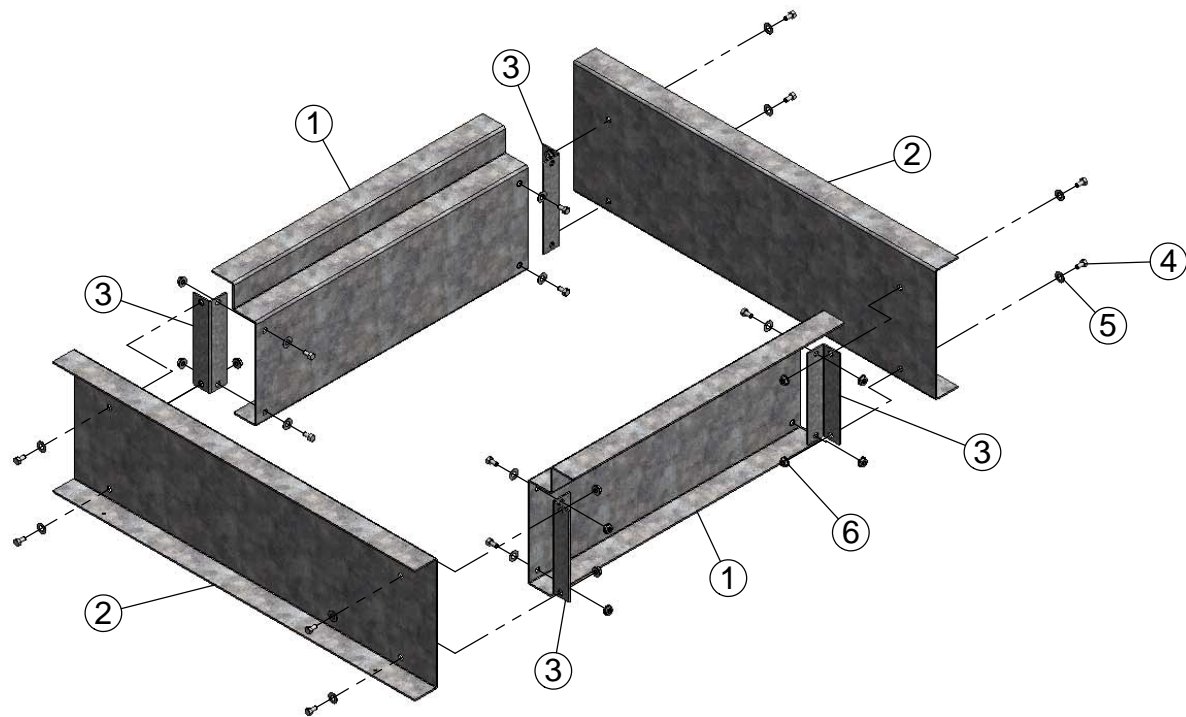
4

3

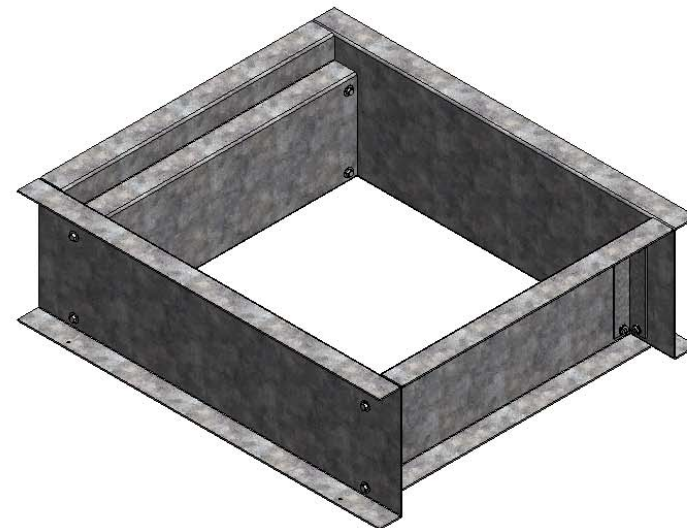
2

1

FBC-GA - Foundation Box Assembly




Unassembled Box (Callout)



Assembled Box

ITEM NO.	PART NUMBER	DESCRIPTION	QTY./Box	QTY./Set
1	65400(ASG)/65403(HSG)	FBC-GA Side "A" with Ledge	2	4
2	65401(ASG)/65404(HSG)	FBC-GA Side "B"	2	4
3	65402 (ASG & HSG)	FBC-GA Corner Brackets	4	8
4	35114	5/16-18 x 3/4" Bolt, 18-8 Stainless Steel	16	32
5	35240	5/16 Flat Washer, 18-8 Stainless Steel	16	32
6	35167	5/16-18 Flange Nut, 18-8 Stainless Steel	16	32



AAE[®]
Aluminum Athletic Equipment
1000 Enterprise Drive, Royersford, PA 19468
Toll Free: (800) 523-5471 Fax: (610) 825-2378
www.myAAEworld.com

DESCRIPTION: FBC-GA - Foundation Box - Assembly		
NOTE: Callout Sheet for ASG & HSG Model Boxes		
MODEL: FBC-GA	CATEGORY: CUSTOMER	DATE: 12/10/13
DWN. BY: TAD	CAD FILE: FBC-GA - Assembly	DWG. NO. FBC-GA-C-003