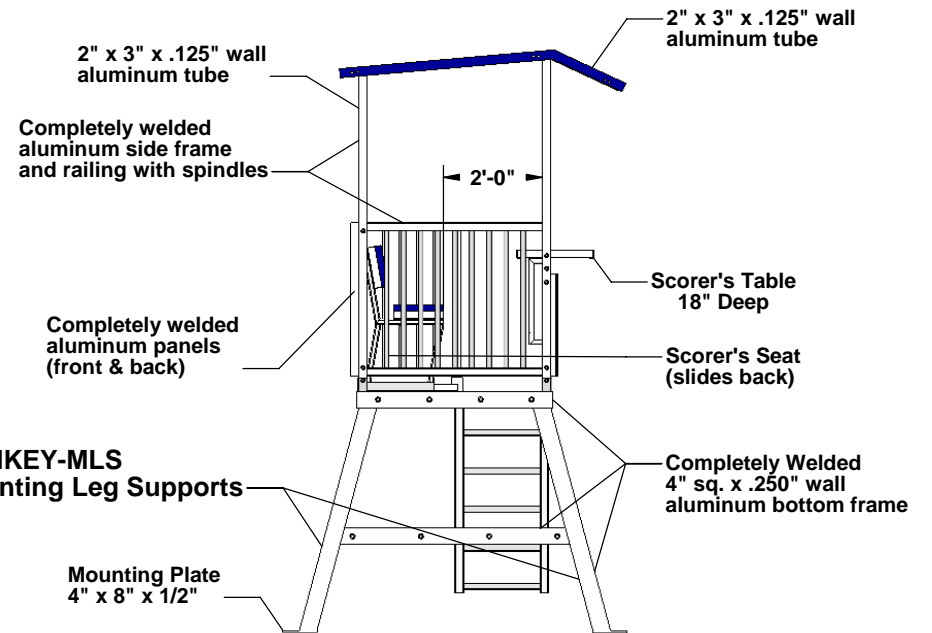
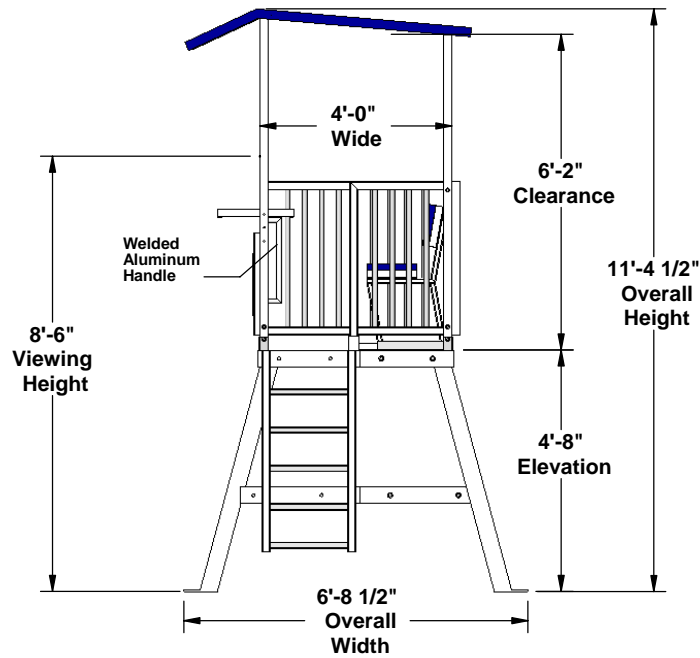


DONKEY-1-MLS

Specifications



***Optional:**
Model No. - DONKEY-WS
Weather Screens (3 sides)
w/ windows, zip on to
canopy top & roll-up
when not in use

***Optional:**
Model No. - DONKEY-FB
Powder-coated Aluminum
Front Panel with applied
custom decal

Included:
Powder-coated
Aluminum Canopy
(Color of Choice)

*DONKEY-WS (1 side)
shown rolled-up and
secured with sewn-in
velcro straps*

**9'-4"
Bench
Width
(Seats 5 to 6 people)**

**Aluminum
Access Ladder**

**Heavy wall aluminum
cross beam supports**

**11'-6"
Overall
Length**

**120 1/2"
ø to ø**

**77"
ø to ø**

IMPORTANT NOTES:

- Seats 5 to 6 people comfortably on bench
- Durable, structural, mill finish aluminum; over 1000 weld points
- Nominal Size: 11'H x 7'W x 12'L
- Scorer's bench slides forward & back
- Mounting Leg Supports (DONKEY-MLS)
- Anchors to concrete pad (8'W x 12'L x 6"D)
- Inside Clearance 6'-2"
- Fluted flooring and ladder steps with safety handle
- Anodized aluminum seat and backrest
- Vinyl canopy (color of choice)
- All galvanized/stainless steel hardware
- Approximate Weight = 1000lbs.

COLOR CHART:



Aluminum Athletic Equipment
1000 Enterprise Drive, Royersford, PA 19468
Toll Free: (800) 523-5471 Fax: (610) 825-2378
www.AAEsports.com

DESCRIPTION:

DONKEY-1-MLS - Specifications

NOTE:

Non-Storage Model / Mounting Leg Supports

MODEL:

DONKEY-1-MLS

CATEGORY:

CUSTOMER

DATE:

1/19/05

DWN. BY:

TAD

CAD FILE:

DONKEY-1-MLS Specifications

DWG. NO.

DONKEY-1-MLS-C-001