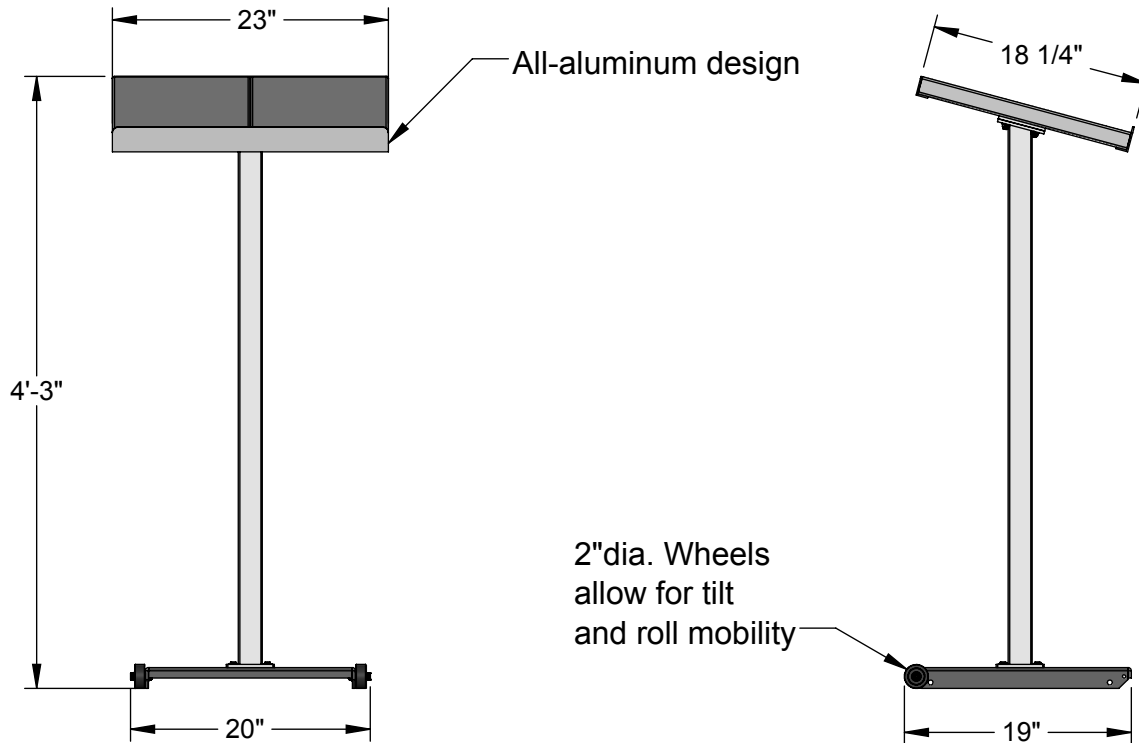


COACH'S LECTERN

Specifications



Aluminum Athletic Equipment
 1000 Enterprise Drive, Royersford, PA 19468
 Toll Free: (800) 523-5471 Fax: (610) 825-2378
www.AAEsports.com

DESCRIPTION:		
CL-B - Specifications		
NOTE:		
Coach's Lectern		
MODEL:	CATEGORY:	DATE:
CL-B	CUSTOMER	2/27/2018
DWN. BY:	CAD FILE:	DWG. NO.:
CED	CL-B - Specifications	CL-B-C-001