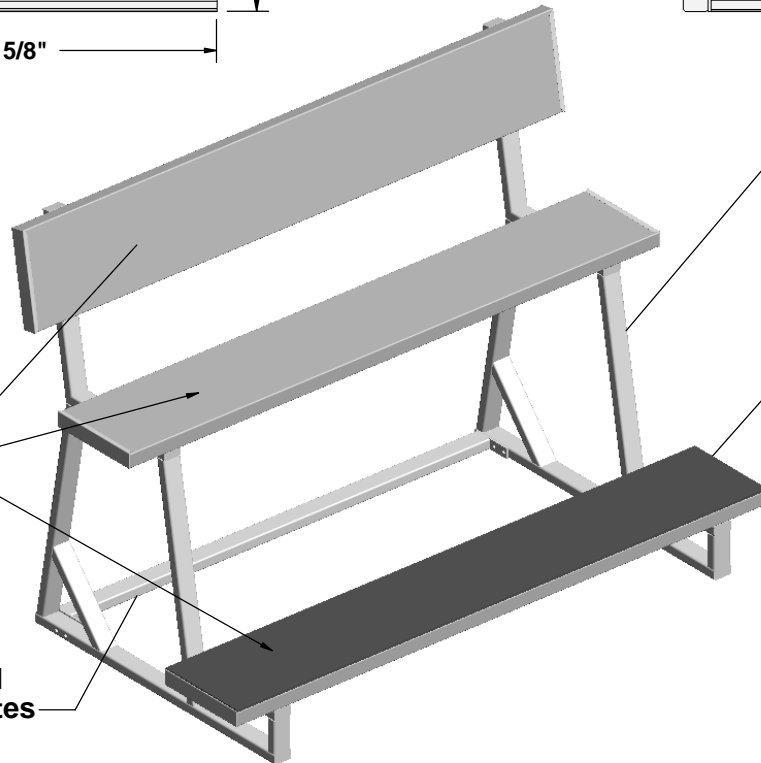
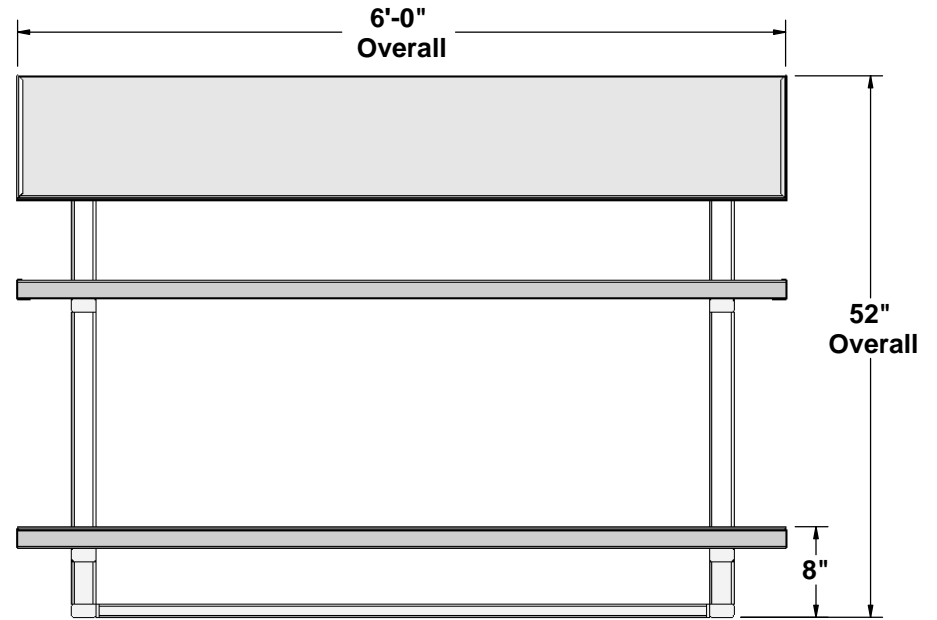
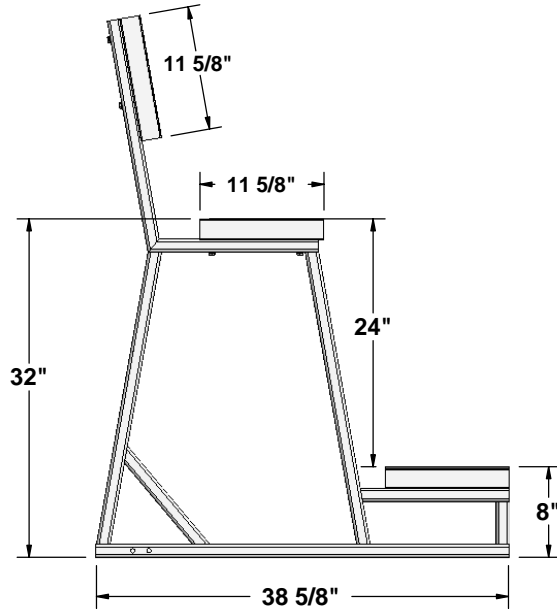


# BPB - Bull Pen Bench

## Specifications



Anodized Aluminum Seat Planks  
11 5/8"

Bottom Support Brace  
2 3/8" x 1 1/4" x 1/8" wall  
w/ welded mounting plates

Welded Aluminum Bench Support  
2 3/8" x 1 1/4" x 1/8" wall

1/4" Surface Flexitan Rubber  
(for spikes)



Aluminum Athletic Equipment  
1000 Enterprise Drive, Royersford, PA 19468  
Toll Free: (800) 523-5471 Fax: (610) 825-2378  
www.aaesports.com

DESCRIPTION: <b>BPB - Bull Pen Bench - Specifications</b>		
NOTE: AAE Original - Washington Nationals - 6' Long		
MODEL: BPB	CATEGORY: <b>CUSTOMER</b>	DATE: 6/14/05
DWN. BY: TAD	CAD FILE: BPB - Specifications	DWG. NO. BPB-C-001