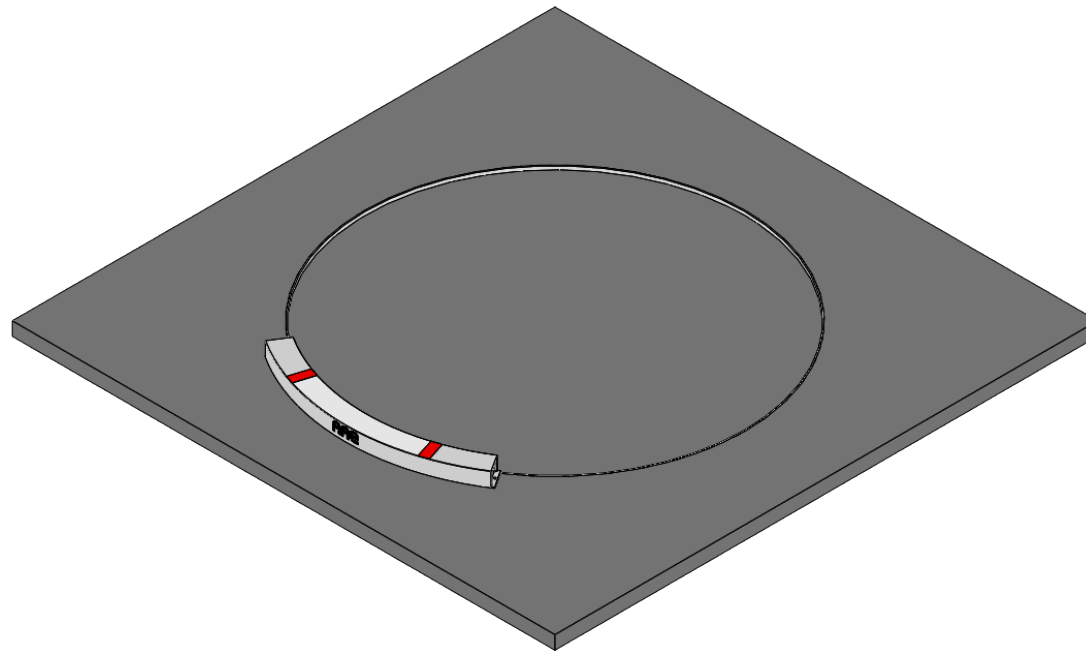
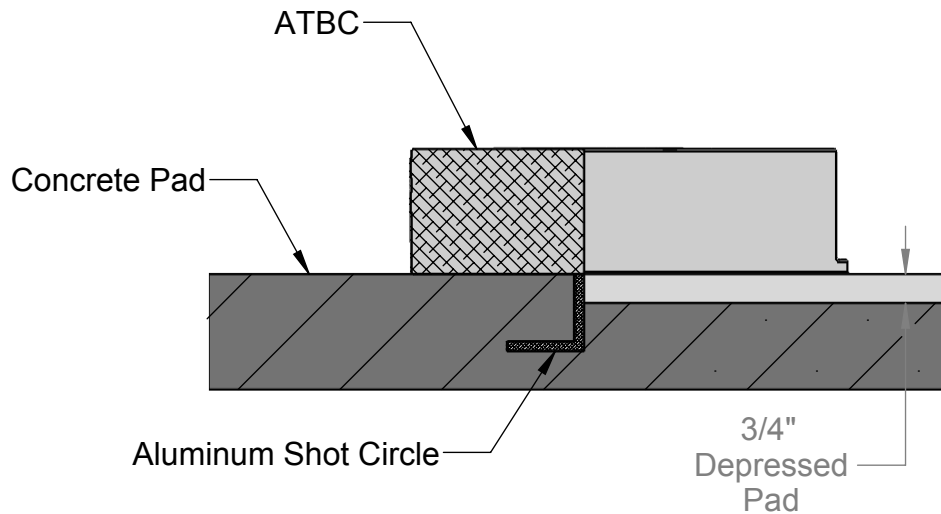
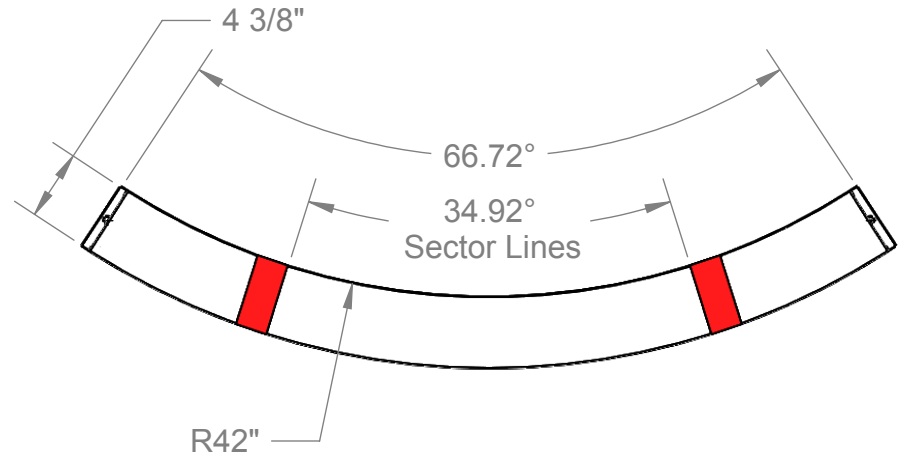
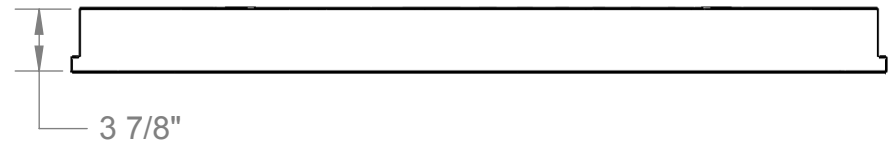
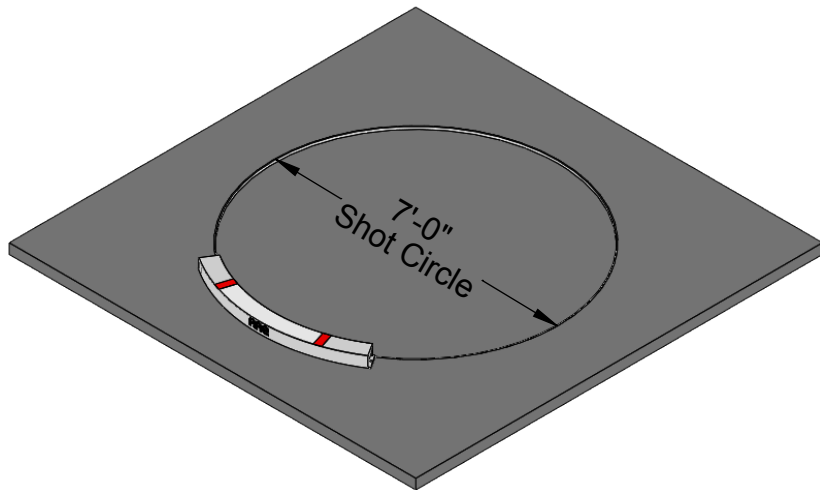


AAE Model No. ATBC Aluminum Toe Board for Depressed Pad



Aluminum Athletic Equipment
1000 Enterprise Drive, Royersford, PA 19468
Toll Free: (800) 523-5471 Fax: (610) 825-2378
www.AAEsports.com

ATBC - Aluminum Toe Board for Depressed Pad Specifications



 Aluminum Athletic Equipment 1000 Enterprise Drive, Royersford, PA 19468 Toll Free: (800) 523-5471 Fax: (610) 825-2378 www.AAEsports.com		
DESCRIPTION: ATBC - Specifications		
NOTE: Aluminum Toe Board for Depressed Pad		
MODEL: ATBC	CATEGORY: CUSTOMER	DATE: 01/25/12
DWN. BY: ARP	CAD FILE: ATBC-Specifications	DWG. NO. ATBC-C-001

**ATBC (for use with 3/4" depressed pad)
SHOTPUT TOE BOARD
INSTRUCTIONS INSTALLATION & PARTS LIST**

INSTALLATION:

1. Position the toe board (Item no. 1) in place. The inner edge of the toe board should line up with the inside edge of the depressed pad, and be centered in the throwing sector (See Drawing No.AAE-68 for diagram). Establish the locations for installing the concrete anchors.
2. Remove the toe board. Using a 3/4" diameter masonry bit (not included), drill 2 (two) holes, 2-1/2" deep, at the marked locations.
3. Install concrete expansions shields (Item No. 4), threaded side down, into the holes and tap flush with the concrete surface.
4. Set toe board back into place and attach with 3/8"-16 x 2-1/2" machine bolts, and 3/8" diameter washers (Item nos. 2 & 3). Tighten bolts firmly to expand concrete anchors into place.

PARTS LIST:

Pt#	Item	Description	Qty.
1	ATBC Toe Board	3-1/4" high x 4-1/2" wide x .250 wall, cast aluminum toe board, 4' sector	1
2	Bolt	3/8"-16 x 2-1/2" S.S.	2
3	Washer	3/8"-16 S.S.	2
4	Expansion shield	3/8"-16 x 2" Loxin machine bolt concrete expansion shield	2