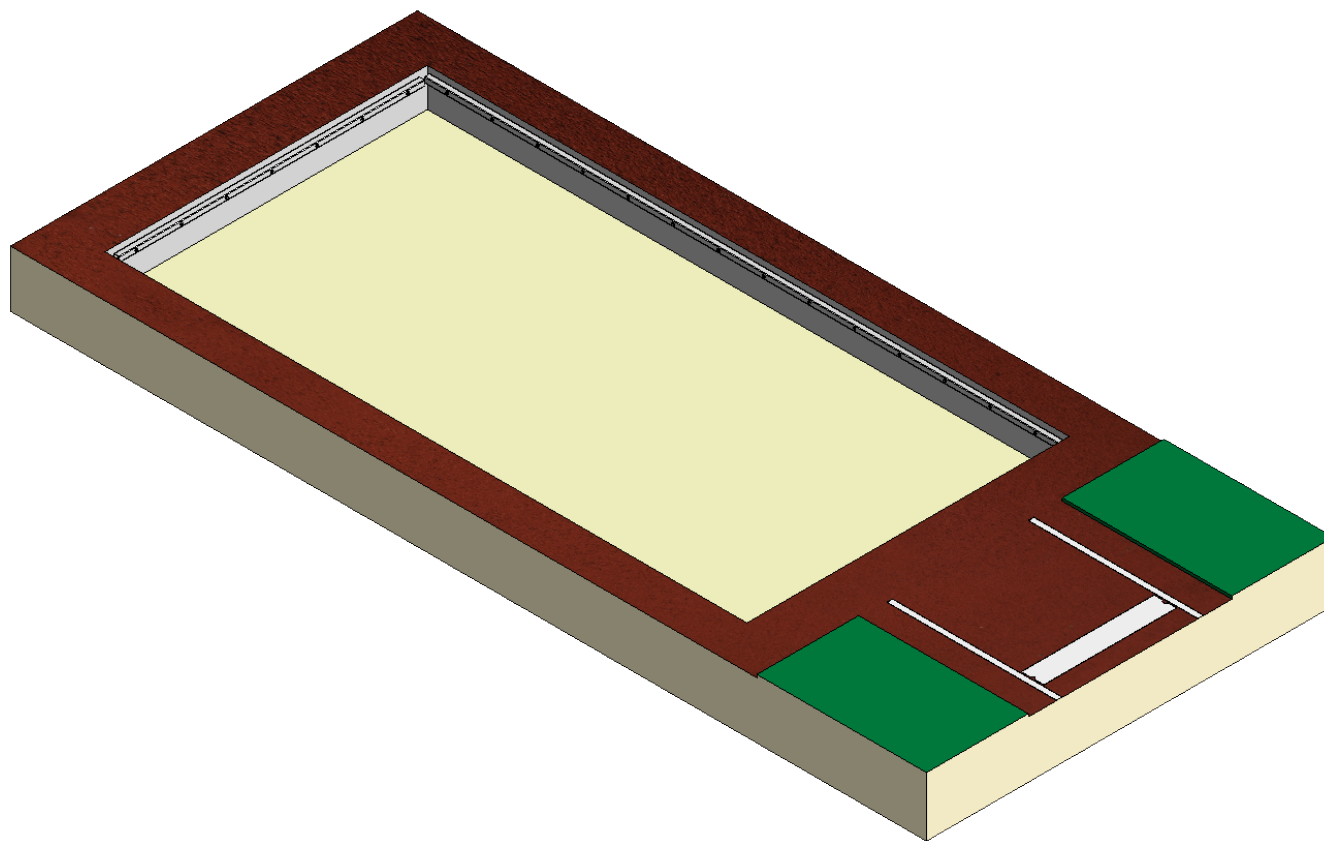


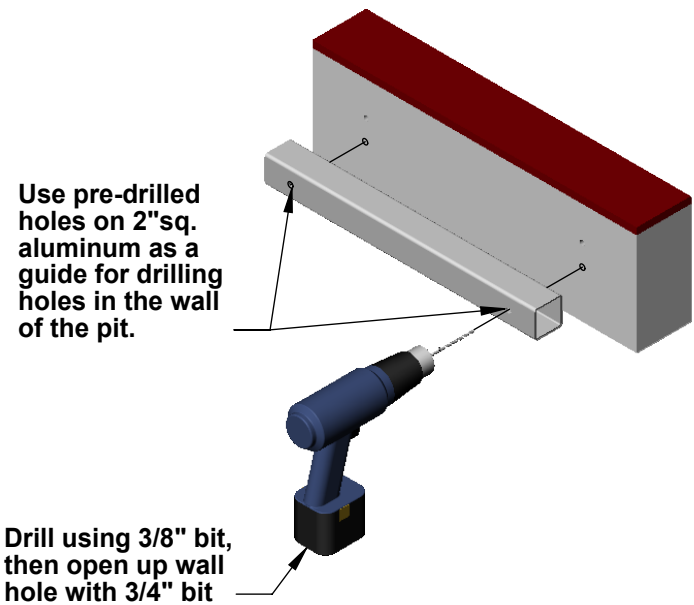
# AAE Model No. APC-LEDGE

## Aluminum Pit Cover - Ledge

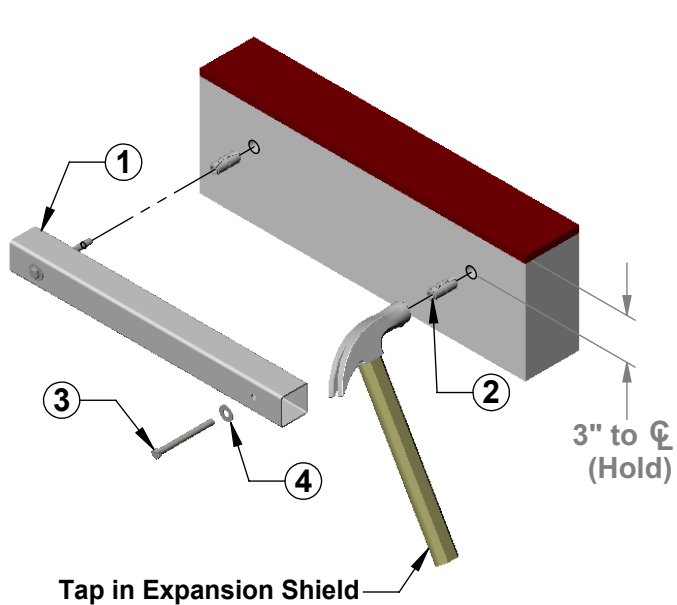


**Aluminum Athletic Equipment**  
1000 Enterprise Drive, Royersford, PA 19468  
Toll Free: (800) 523-5471 Fax: (610) 825-2378  
[www.AAEsports.com](http://www.AAEsports.com)

**Step No. 1 - Drilling Holes**

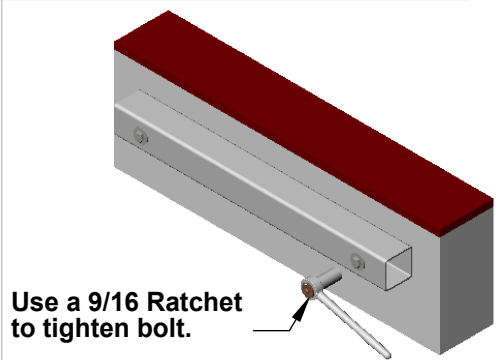


**Step No. 2 - Inserting Expansion Shields**



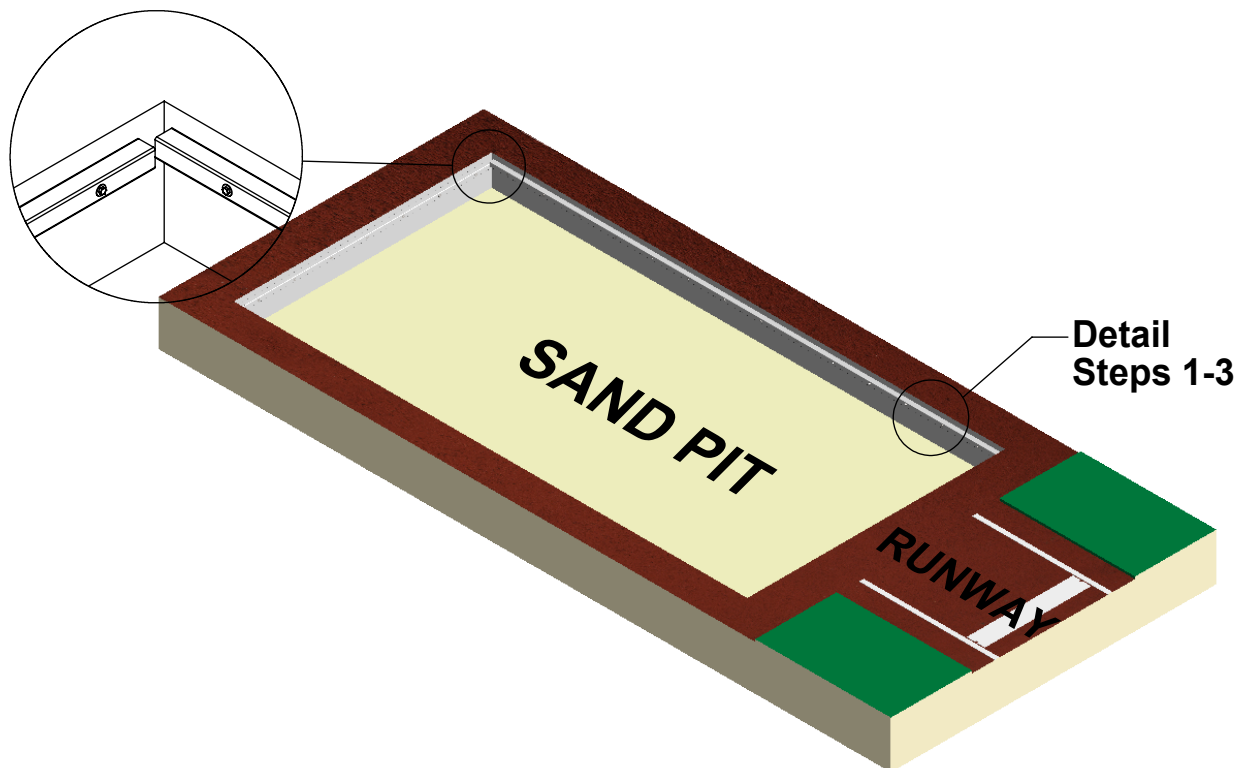
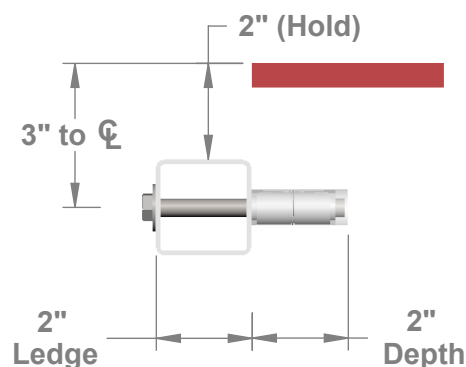
**APC-LEDGE  
Installation & Assembly**

**Step No. 3 - Attaching Ledge**



\*Note: As you tighten bolt the expansion shield will expand and tighten in the hole. Tighten to approximately 20 ft./lbs.

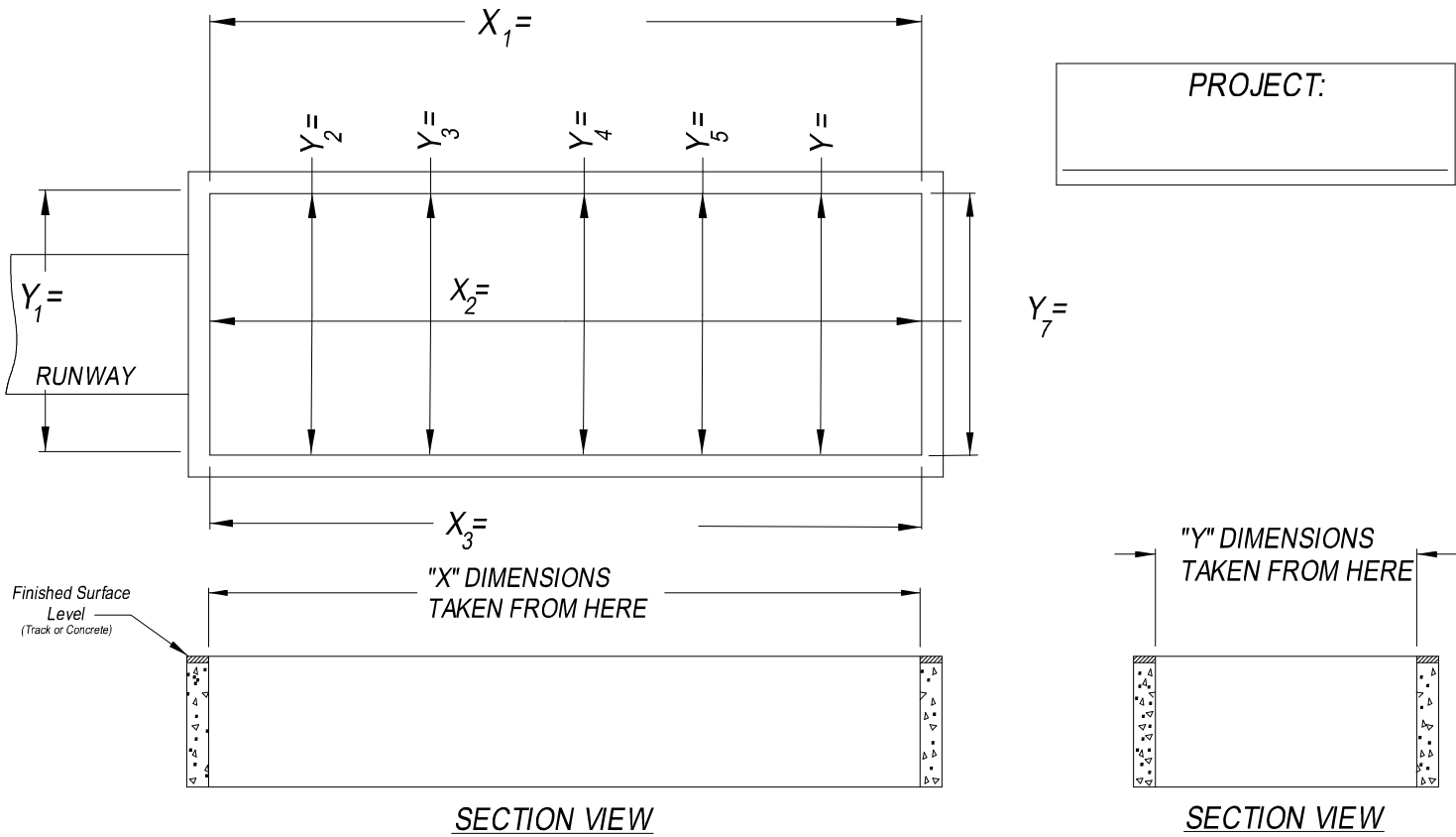
**Measurement Specifications**



**AAE**  
**Aluminum Athletic Equipment**  
 1000 Enterprise Drive, Royersford, PA 19468  
 Toll Free: (800) 523-5471 Fax: (610) 825-2378  
 www.AAEsports.com

DESCRIPTION		
<b>APC-LEDGE - Installation &amp; Assembly</b>		
NOTE: Installation Instructions		
MODEL: APC-LEDGE	CATEGORY: CUSTOMER	DATE: 7/9/03
DWN. BY: TAD	CAD FILE: APC-LEDGE Installation	DWG. NO. APC-LEDGE-C-001

# ALUMINUM PIT COVERS - PRE-FABRICATION APPROVAL FORM



## \*\*\*Special Notes:

- 1) Please indicate thickness of track surface to be applied: 3/8" \_\_\_\_; 1/2" \_\_\_\_; Other \_\_\_\_
- 2) All synthetic track surface material on sidewalls should be removed prior to taking measurements "X" & "Y".
- 3) Owner to purchase AAE's aluminum ledge and anchor directly to concrete walls at the proper elevation based on thickness of panels.

### PRE-FABRICATION NOTE:

Based on the drawings and dimensions (shown above) submitted to AAE, the following calculations for the number and size of panels have been determined (shown below). Actual "Overall Size" of panels is less than the "Overall Opening" to allow for clearance for insertion and removal of individual panels.

**IMPORTANT NOTE:** AAE makes every attempt to fabricate custom panels per the field measurements provided. However, AAE can not accept responsibility for custom made panels that will not fit because of irregularities that may exist in the design and construction of the pit, that weren't specified or lie beyond our control.

Overall Size of opening: \_\_\_\_\_

Overall Size of panels: \_\_\_\_\_

Total sq. ft.: \_\_\_\_\_

No. and size of individual panels:

\_\_\_\_\_

\_\_\_\_\_

\_\_\_\_\_

### APPROVAL FOR MANUFACTURE OF CUSTOM PANELS

PROJECT: \_\_\_\_\_

CONTRACTOR: \_\_\_\_\_

APPROVED BY: \_\_\_\_\_  
(PLEASE PRINT)

COMPANY/SCHOOL: \_\_\_\_\_  
(PLEASE PRINT)

SIGNATURE: \_\_\_\_\_

DATE: \_\_\_\_\_

DESCRIPTION  
**SAND PITS WITHOUT FORMED LEDGE  
IN CONCRETE WALLS**

MODEL NO. **APC PANELS**

ITEM \_\_\_\_\_ REV. \_\_\_\_\_

DATE: **7/3/03** DWG.NO. **AAE-63B**