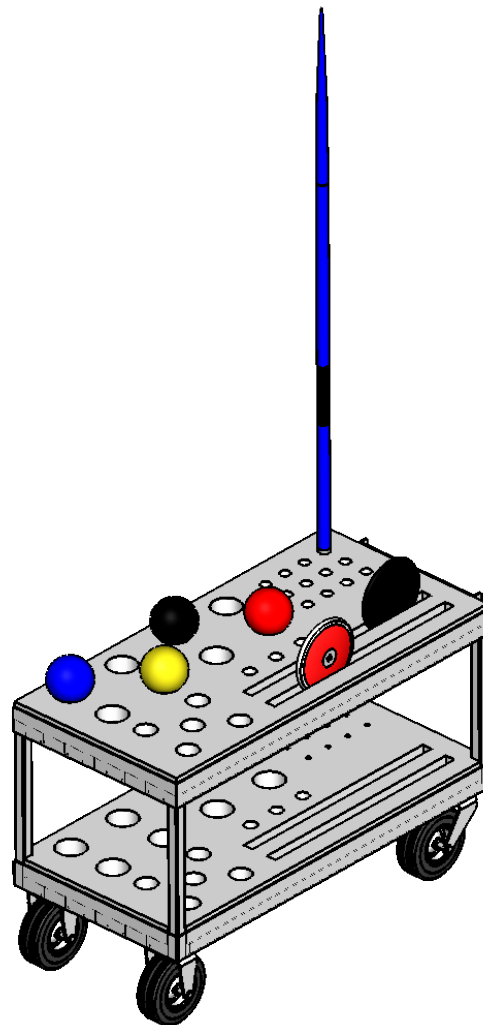


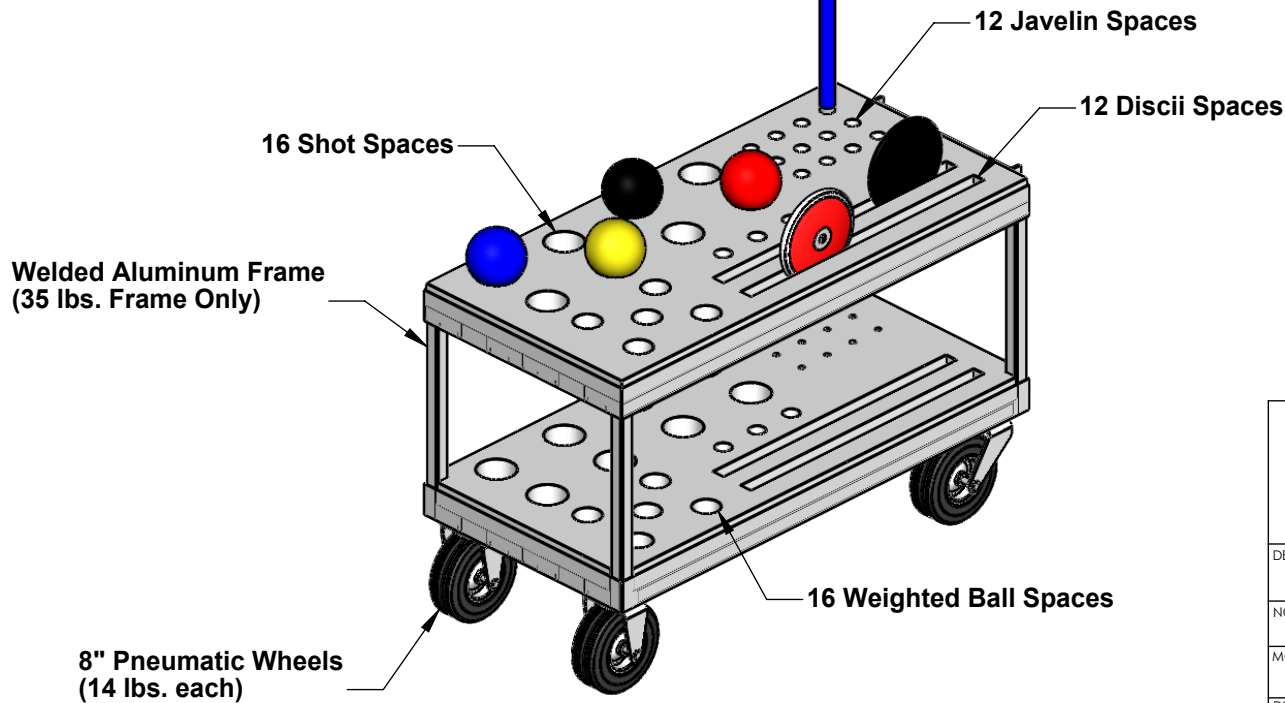
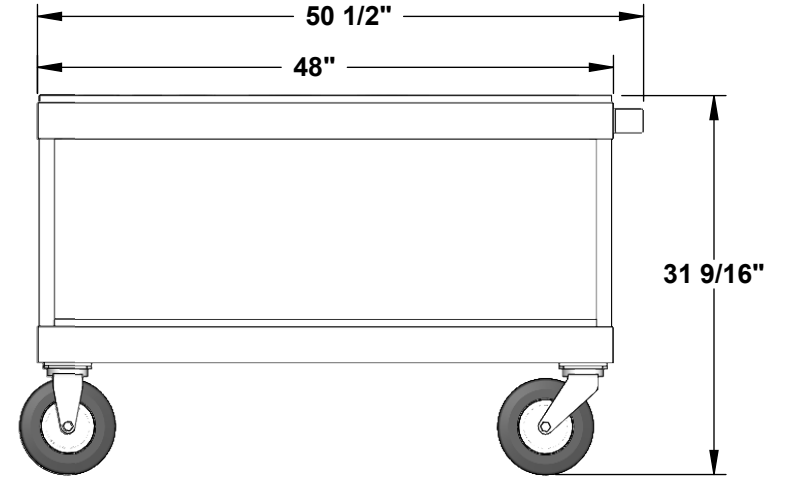
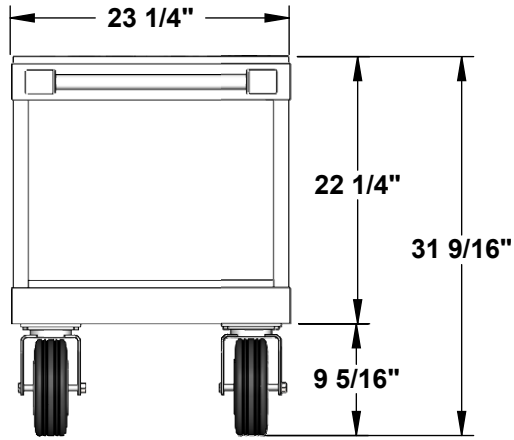
AAE Model No. AMC Multi-Implement Cart



Aluminum Athletic Equipment
1000 Enterprise Drive, Royersford, PA 19468
Toll Free: (800) 523-5471 Fax: (610) 825-2378
www.AAEsports.com

AMC - Multi-Implement Cart

Specifications



Total Weight = 90 lbs.



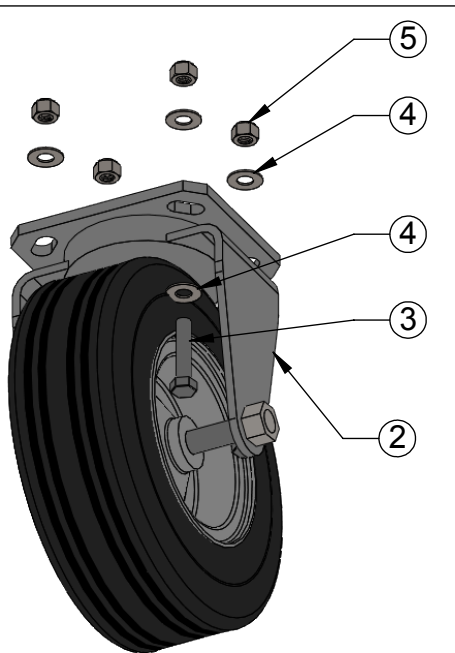
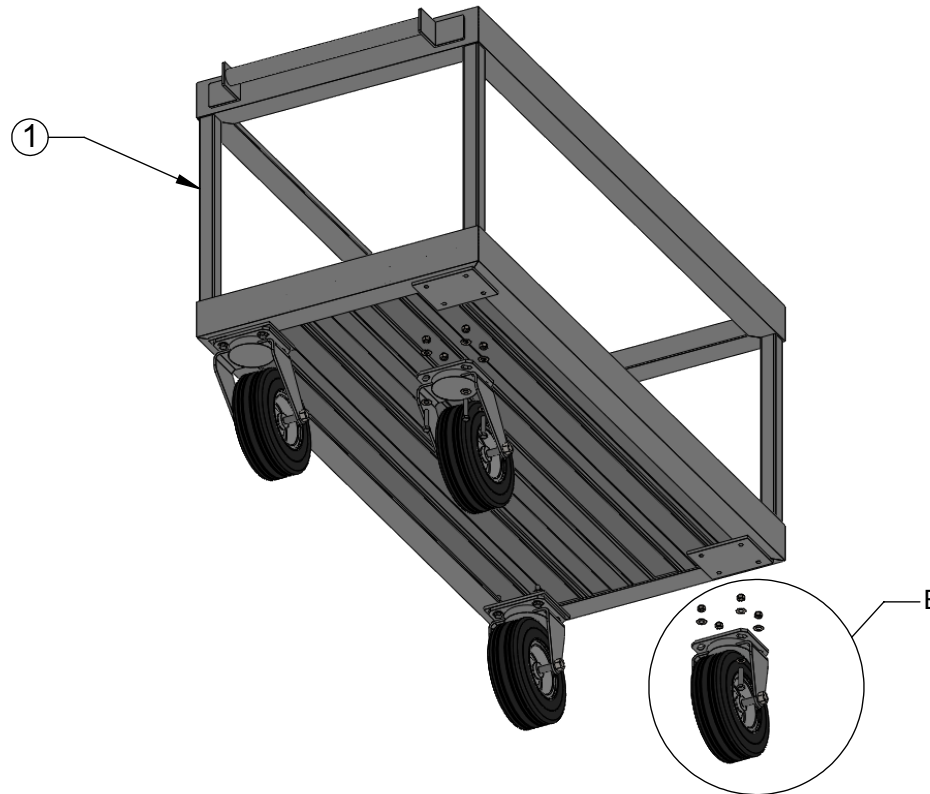
Aluminum Athletic Equipment
 1000 Enterprise Drive, Royersford, PA 19468
 Toll Free: (800) 523-5471 Fax: (610) 825-2378
www.AAEsports.com

DESCRIPTION		
AMC - Multi-Implement Cart - Specifications		
NOTE: 3 Models (Same Frame)		
MODEL: AMC	CATEGORY: CUSTOMER	DATE: 10/01/02
DWN. BY: TAD	CAD FILE: AMC-Specifications	DWG. NO. AMC-C-001

AMC

Assembly Specifications

ITEM NO.	PART NUMBER	DESCRIPTION	Exploded assembly/QTY.
1	Top & Bottom Assembly (AMC)		1
2	Swivel Wheel Assembly		4
3	5_16-18 Bolts (All)		16
4	5_16	5/16" Flat Washer, SS	32
5	Standard	5/16"-18, Self Locking Nut, SS	16



DETAIL B
SCALE 1 : 4

AAE
Aluminum Athletic Equipment
 1000 Enterprise Drive, Royersford, PA 19468
 Toll Free: (800) 523-5471 Fax: (610) 825-2378
www.AAEsports.com

DESCRIPTION: **ADC, AJC, AMC, ASC**

NOTE: Assembly Specifications

MODEL:	Model ID	CATEGORY:	CUSTOMER	DATE:	2/28/2018
DWN. BY:	CED	CAD FILE:	AMC Assembly Specifications	DWG. NO.:	Model-C-001