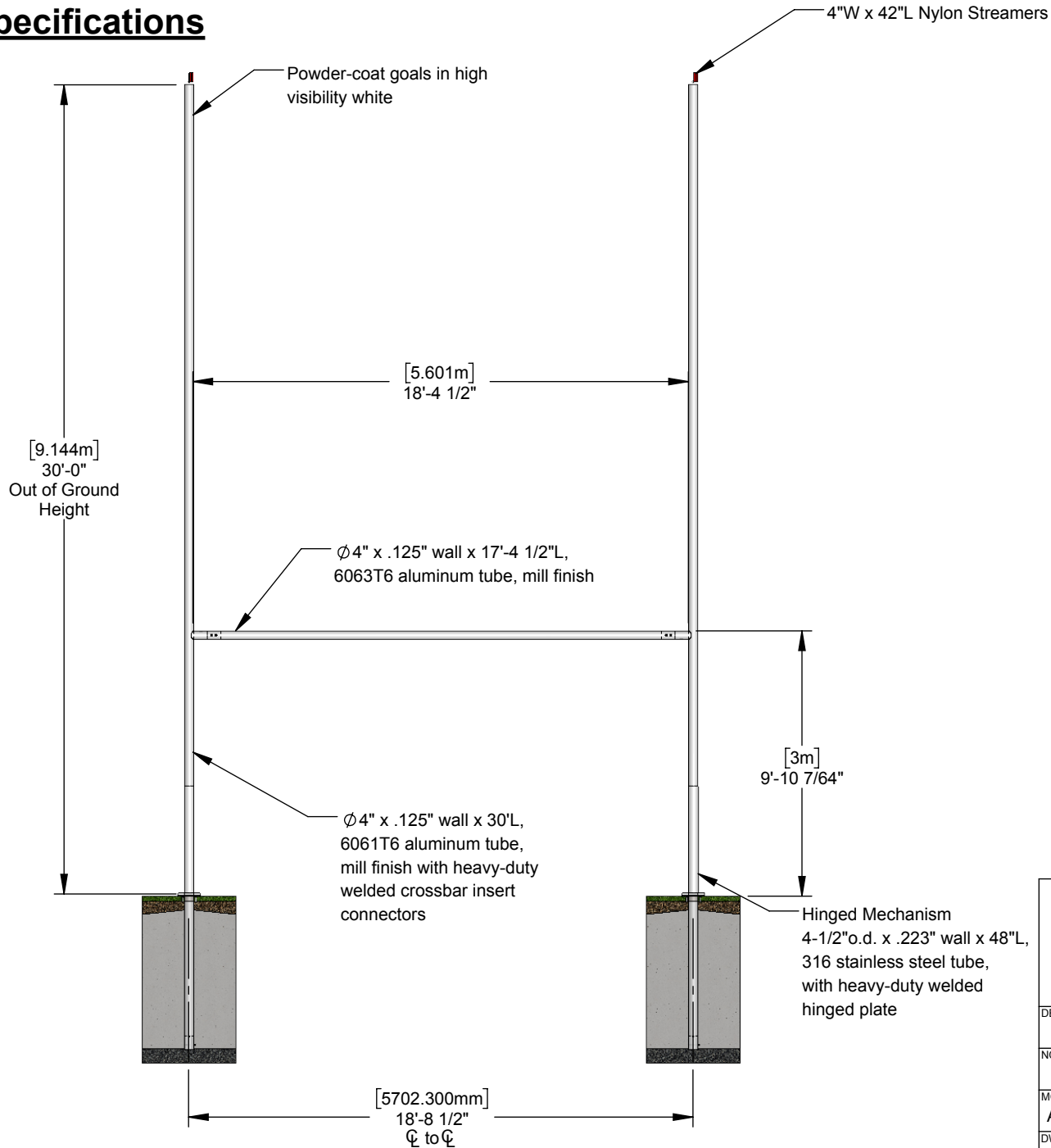
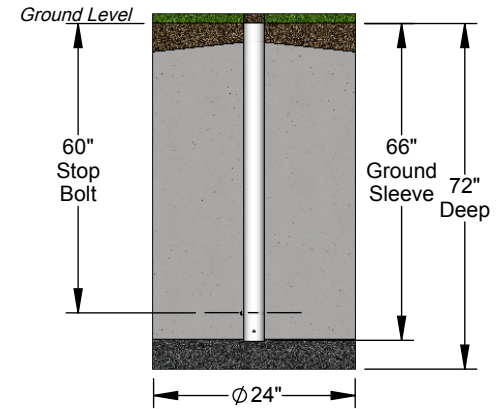


AHG-NCAA/H-RUGBY

Specifications



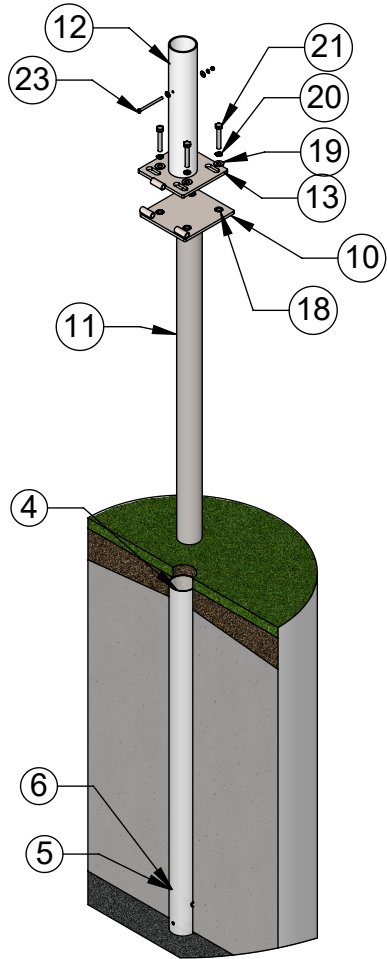
Ground Sleeve Detail



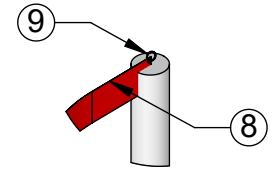
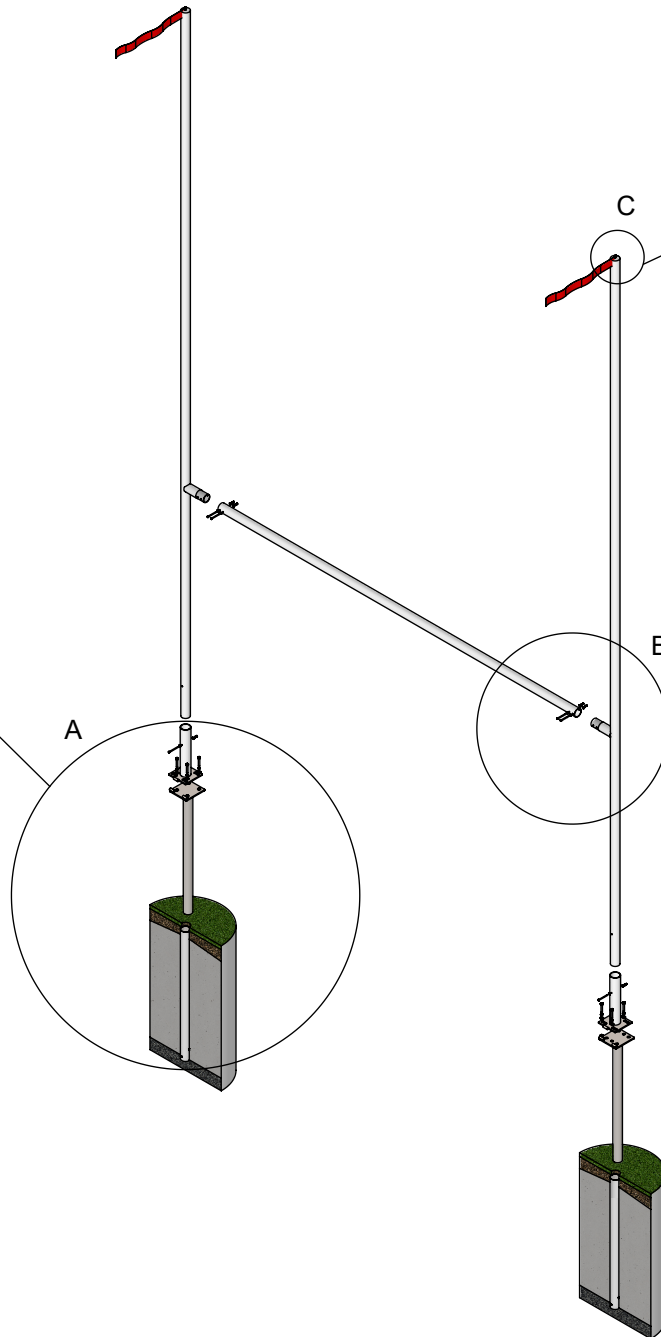
Aluminum Athletic Equipment
1000 Enterprise Drive, Royersford, PA 19468
Toll Free: (800) 523-5471 Fax: (610) 825-2378
www.AAEsports.com

DESCRIPTION:		
AHG-NCAA/H - RUGBY "H" Goal		
NOTE:		
Specifications		
MODEL:	CATEGORY:	DATE:
AHG-NCAA/H-RUGBY	CUSTOMER	1/24/2018
DWN. BY:	CAD FILE:	DWG. NO.:
CED	AHG-NCAA/H-RUGBY	AHG-NCAA/H-RUGBY-C-001

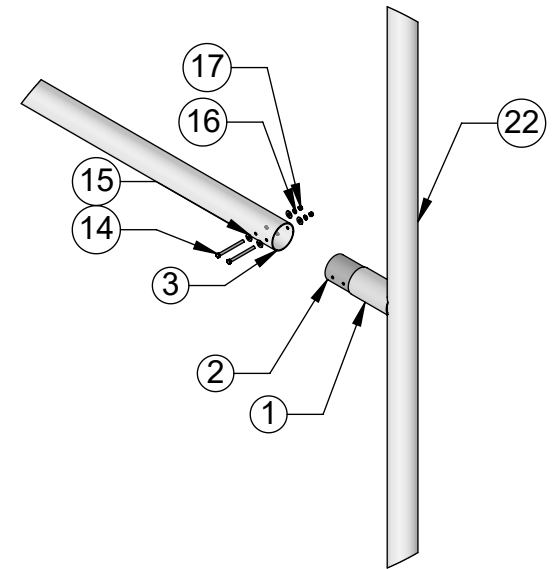
AHG-NCAA/H-RUGBY



DETAIL A
SCALE 1 : 30



DETAIL C
SCALE 1 : 20



DETAIL B
SCALE 1 : 25



Aluminum Athletic Equipment
1000 Enterprise Drive, Royersford, PA 19468
Toll Free: (800) 523-5471 Fax: (610) 825-2378
www.AAEsports.com

DESCRIPTION:		
AHG-NCAA/H-RUGBY		
NOTE:		
AHG-NCAA-RUGBY Hinged Detail View		
MODEL:	CATEGORY:	DATE:
AHG-NCAA/H-RUGBY	CUSTOMER	9/23/2019
DWN. BY:	CAD FILE:	DWG. NO.:
CED	AHG-NCAA/H-RUGBY	AHG-NCAA/H-RUGBY-C-001

AHG-NCAA/H-RUGBY

Parts List

ITEM NO.	PART NUMBER	DESCRIPTION	QTY.
1	Sleeve	Crossbar Sleeve Connector	2
2	Round Insert		2
3	4" Crossbar		1
4	66" Groundsleeve	4.350"dia. x 0.100"wall Ground Sleeve Tube	2
5	1_2-13x5		2
6	1_2-13	1/2"-13 Hex Nut, Steel, Zinc Plated	2
7	Concrete Footing (AHG-I)		2
8	Flag (42")		2
9	Key Ring		2
10	AHG-Hinged Plate		2
11	Hinged Ground Sleeve Post		2
12	Hinged Ground Sleeve Post		2
13	AHG-Hinged Plate		2
14	3_8-16x4-1_2		4
15	3_8	3/8 USS F/W, Hot Dipped Galvanized Steel	12
16	3_8 Loc Washer	3/8" REG L/W Hot Dip Galvanized	6
17	3_8 (Standard)		6
18	5_8-11_2		8
19	5_8		8
20	5_8 Loc Washer		8
21	5_8-11x7_2		8
22	4" Post		2
23	3_8-16x5		2



Aluminum Athletic Equipment
 1000 Enterprise Drive, Royersford, PA 19468
 Toll Free: (800) 523-5471 Fax: (610) 825-2378
www.AAEsports.com

DESCRIPTION:		
AHG-NCAA/H-RUGBY		
NOTE:		
Parts List		
MODEL:	CATEGORY:	DATE:
AHG-NCAA/H-RUGBY	CUSTOMER	12/26/2017
DWN. BY:	CAD FILE:	DWG. NO.
CED	AHG-NCAA/H-RUGBY	AHG-NCAA/H-RUGBY-C-001

**AHG-RUGBY-NCAA/H
ALUMINUM "H" GOAL - RUGBY
INSTALLATION AND OPERATION INSTRUCTIONS**

GROUND SLEEVES (RECESSED INSTALLATION):

1. Locate proper location for placement of football/rugby goal.
2. Dig 24" diameter holes 18'-8 1/2" apart, (on center) a minimum of 72" deep.
(Consult local building codes for concrete depth and drainage requirements.)
3. Place 6" deep of crushed stone at bottom of holes, which will allow for proper drainage.
4. Install 66" aluminum ground sleeves so that the top of the ground sleeves are 3" below ground level. Make sure they are plumb, level, and centered according to "spec". Pour concrete all around the ground sleeves. **(Be sure not to get any concrete inside the ground sleeves!)** As the concrete cures, constantly check that the sleeves are plumb and level, and that the 18'-8 1/2" dimension from center to center is maintained. (Ref. - The distance from ground level to the stopbolt at the bottom of the ground sleeve should be 60".)
5. AAE recommends a two pour process in order to properly anchor and help minimize any floating and movement of the ground sleeve. The initial concrete pour should cover the bottom portion of the ground sleeve about 6" from the bottom.
6. Once ground sleeves are located at proper elevation, using 3,000 psi concrete mix carefully pour around bottom of sleeve to approximately 6" high from the bottom.
7. Intermittently check plumbness of ground sleeve using a 4' level, as well as center to center. Make sure they are plumb, level, and centered according to "spec".
(Be sure not to get any concrete inside the ground sleeves!)
8. Allow ample time for concrete to set hard. Again, make sure they are plumb, level, and centered according to "spec". Now for the second pour, using 3,000 psi concrete mix carefully pour concrete to a recessed level approximately 6" from the top of ground sleeve and taper away from the sleeve to an 8" depth all around.
9. Once concrete sets hard, back fill the 6"-8" void with screenings or dirt and compact accordingly. This allow for proper settling of field subgrade and not protrude the concrete footing over time.

**AHG-RUGBY-NCAA/H
ALUMINUM "H" GOAL - RUGBY
INSTALLATION AND OPERATION INSTRUCTIONS**

GOAL ASSEMBLY:

1. Lay main uprights (Item no. 1) face down on the ground, about 19' apart with the flag side of the uprights facing the center of the field and the bottom of the uprights four feet away from the goal line (on the playing field side).
2. Insert crossbar (Item no. 4) into main uprights and attach with 3/8"-16 x 4 1/2" bolts, loc washers, washers and nuts. (Item nos. 15, 16, 17 & 18)
3. Keep bolts fairly loose until the goal is inserted in the hinge plate devices.
4. Insert hinged plate devices (Item no. 12) with hinge plate (Item no. 11) into the ground sleeves and remove the four (4) mounting plate bolts (Item no. 22) conjoining the hinge plates. Hinge top sleeve down toward the playing field. (Item no. 13)
5. Now with four (4) men align and slide the bottom uprights into the hinge plate device sleeves. Fasten 3/8"-16 x 5" bolts, washer loc washer and nuts.
6. Time to raise the goal. Using four (4) strong men, two (2) at the crossbar ends and two (2) at the flag side of the uprights, slowly raise the goal and once the two (2) flag side men reach the two (2) crossbar men you'll want to raise in unison, together.
7. Once raised to the upright vertical position, two (2) men should man the uprights while the other two men replace the four (4) mounting plate bolts removed in Step No. 4 of the assembly.

**AHG-RUGBY-NCAA/H
ALUMINUM "H" GOAL - RUGBY
INSTALLATION AND OPERATION INSTRUCTIONS**

INSERTING ASSEMBLED GOAL:

1. Be sure **concrete is fully cured** before attempting to insert assembled goal into the ground sleeves.
2. If no hoist or lifting device is available, use at least six (6) men to raise the assembled goal to a vertical position . Carefully align the main uprights with their respective ground sleeves and **slowly** lower the goal into position. **Do not drop the goal into the ground sleeves!!**
3. Tighten all bolts firmly.