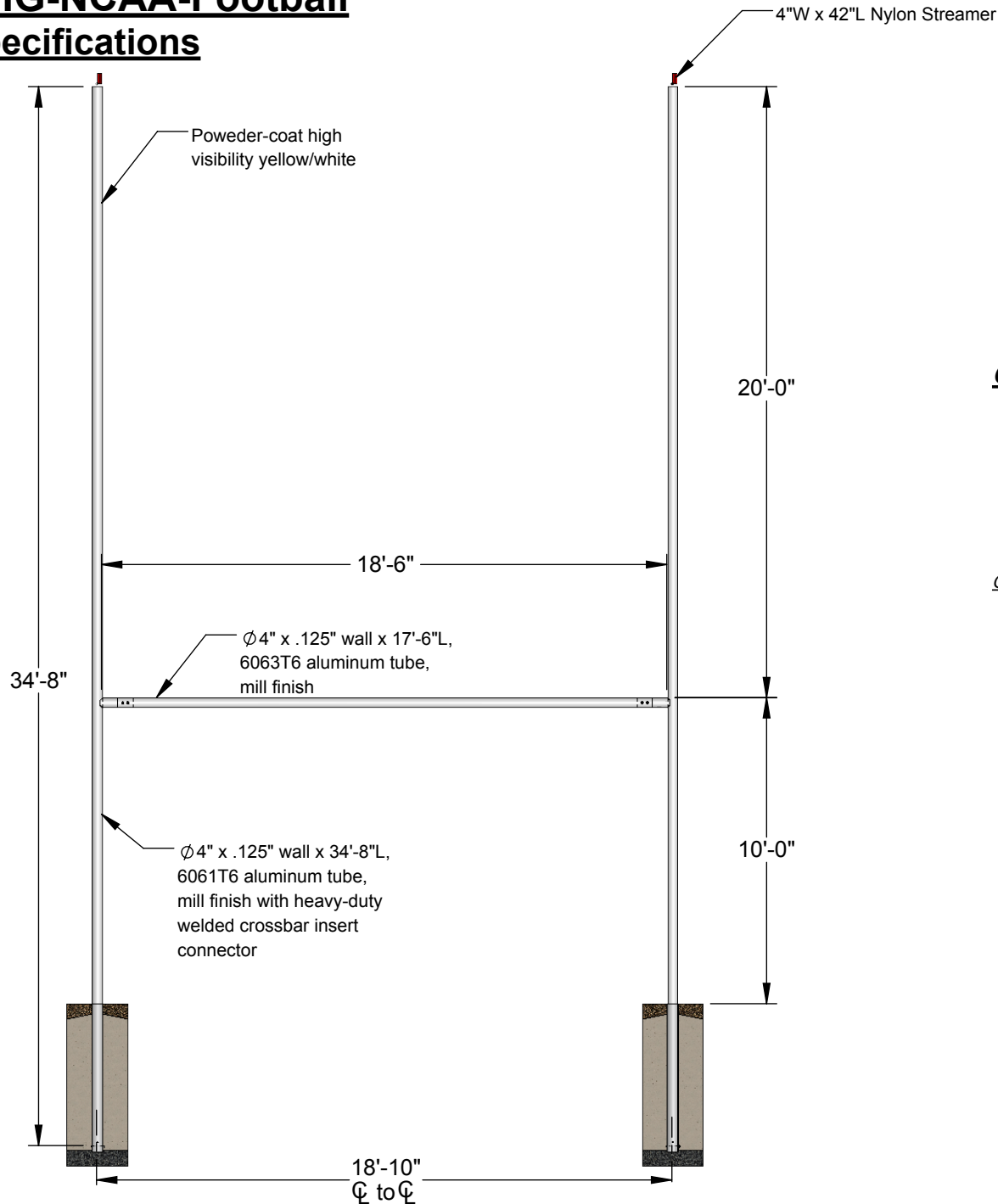


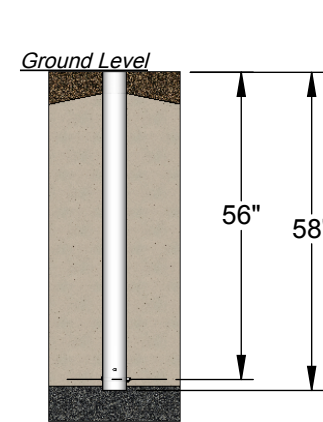
AHG-NCAA-Football Specifications



GROUND SLEEVE INSTALLATION OPTIONS

"FLUSH" Installation

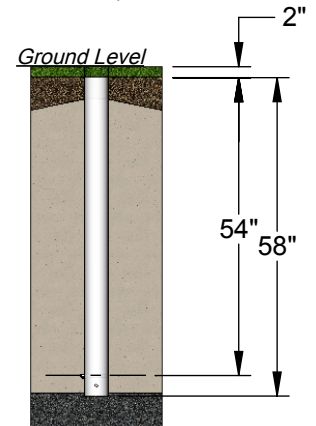
Bolt is at 56" position



"RECESSED" Installation

Ground sleeve is recessed 2"

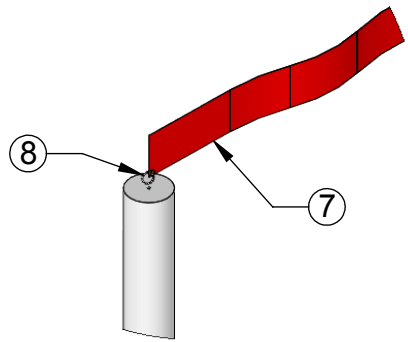
Bolt is at 54" position



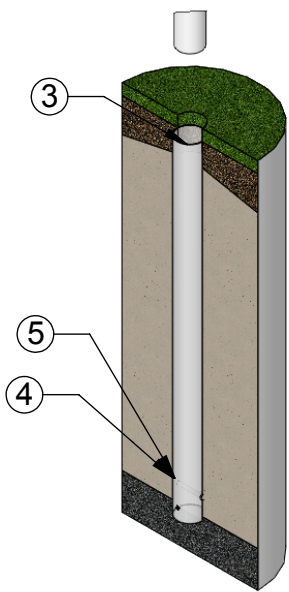
Aluminum Athletic Equipment
 1000 Enterprise Drive, Royersford, PA 19468
 Toll Free: (800) 523-5471 Fax: (610) 825-2378
 www.AAEsports.com

DESCRIPTION:			AHG-NCAA-Football		
NOTE:			Specifications		
MODEL:	AHG-NCAA	CATEGORY:	CUSTOMER	DATE:	1/24/2018
DWN. BY:	CED	CAD FILE:	AHG-NCAA	DWG. NO.:	AHG-NCAA-C-001

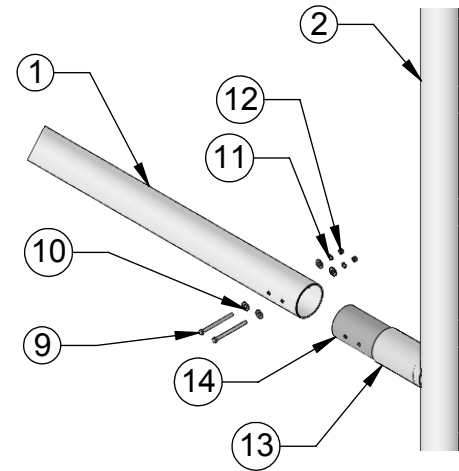
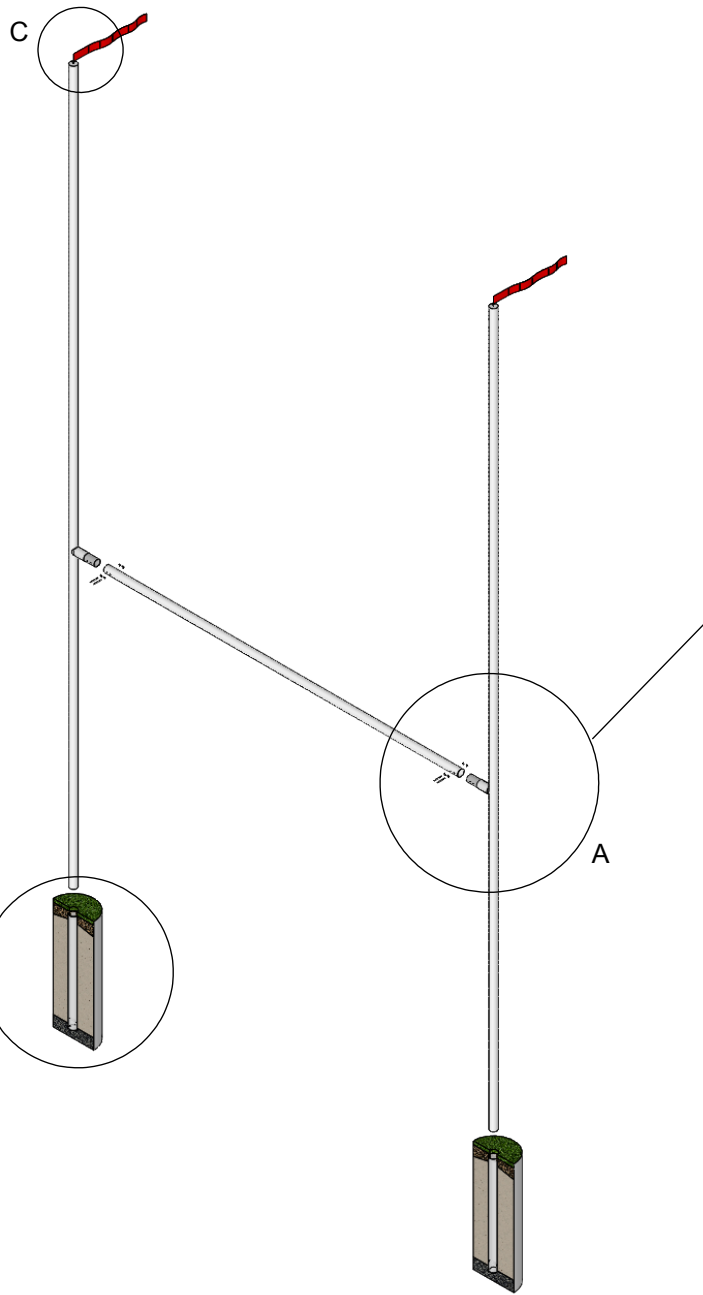
AHG-NCAA



DETAIL C
SCALE 1 : 15



DETAIL B
SCALE 1 : 24



DETAIL A
SCALE 1 : 20



Aluminum Athletic Equipment
1000 Enterprise Drive, Royersford, PA 19468
Toll Free: (800) 523-5471 Fax: (610) 825-2378
www.aaesports.com

DESCRIPTION:			AHG-NCAA		
NOTE:			Detailed View		
MODEL:	AHG-NCAA	CATEGORY:	CUSTOMER	DATE:	1/25/2018
DWN. BY:	CED	CAD FILE:	AHG-NCAA	DWG. NO.:	AHG-NCAA-C-001

AHG-NCAA

Part List

ITEM NO.	PART NUMBER	DESCRIPTION	QTY.
1	4" Crossbar		1
2	4" Post		2
3	36" Groundsleeve		2
4	1_2-13x5		2
5	1_2-13	1/2"-13 Hex Nut, Steel, Zinc Plated	2
6	Concrete Footing (AHG-I)		2
7	Flag (42")		2
8	Key Ring		2
9	3_8-16x4-1_2		4
10	3_8	3/8 USS F/W, Hot Dipped Galvanized Steel	8
11	3_8 Loc Washer	3/8" REG L/W Hot Dip Galvanized	4
12	3_8 (Standard)		4
13	Sleeve		2
14	Round Insert		2



Aluminum Athletic Equipment
 1000 Enterprise Drive, Royersford, PA 19468
 Toll Free: (800) 523-5471 Fax: (610) 825-2378
www.aaesports.com

DESCRIPTION:			AHG-NCAA
NOTE:			Part List
MODEL:	CATEGORY:	DATE:	
AHG-NCAA	CUSTOMER	12/26/2017	
DWN. BY:	CAD FILE:	DWG. NO.:	
CED	AHG-NCAA	AHG-NCAA-C-001	

**AHG-NCAA
ALUMINUM "H" GOAL
INSTALLATION AND OPERATION INSTRUCTIONS**

INSTALLATION:

The design of the AHG-NCAA football goal permits the ground sleeves to be installed in either of two ways; they are as follows:

GROUND SLEEVES (FLUSH INSTALLATION):

1. Locate proper location for placement of football goal.
2. Dig 18" diameter holes 18'-10" apart, (on center) a minimum of 64" deep. **(Consult local building codes for concrete depth and drainage requirements.)**
3. Remove the portion of tape on the ground sleeve covering the hole **56"** down from the top of the sleeve. Install 1/2"-13 x 5" hex bolt (Item No. 4) through the hole and tighten with 1/2"-13 hex nut (Item No. 5) **Important: Leave the tape over the other holes, so concrete will not enter the ground sleeve when installed.**
4. Install 58" aluminum ground sleeves so that the top of the ground sleeves are flush with ground level. Make sure they are plumb, level, and centered according to "spec". Pour concrete all around the ground sleeves. **(Be sure not to get any concrete inside the ground sleeves!)** As the concrete cures, constantly check that the sleeves are plumb and level, and that the 18'-10" dimension from center to center is maintained. (Ref. - The distance from ground level to the stopbolt at the bottom of the ground sleeve should be 56".)

GROUND SLEEVES (RECESSED INSTALLATION):

1. Locate proper location for placement of football/rugby goal.
2. Dig 18" diameter holes 18'-10" apart, (on center) a minimum of 66" deep. **(Consult local building codes for concrete depth and drainage requirements.)**
3. Remove the portion of tape on the ground sleeves covering the hole **54"** down from the top of the sleeve. Install 1/2"-13 x 5" hex bolt (Item No. 4) through the hole and tighten with 1/2"-13 hex nut (Item No. 5) **Important: Leave the tape over the other holes, so concrete will not enter the ground sleeve when installed.**
4. Install 58" aluminum ground sleeves so that the top of the ground sleeves are 2" below ground level. Make sure they are plumb, level, and centered according to "spec". Pour concrete all around the ground sleeves. **(Be sure not to get any concrete inside the ground sleeves!)** As the concrete cures, constantly check that the sleeves are plumb and level, and that the 18'-10" dimension from center to center is maintained. (Ref. - The distance from ground level to the stopbolt at the bottom of the ground sleeve should be 56".)

**AHG-NCAA
ALUMINUM "H" GOAL
INSTALLATION AND OPERATION INSTRUCTIONS**

GOAL ASSEMBLY:

1. Lay main uprights (Item no. 2) face down on the ground, about 19' apart.
2. Insert crossbar (Item no. 1) into main uprights and attach with 3/8"-16 x 4 1/2" bolts, loc washer, washers and nuts. (Item nos. 9, 10, 11 & 12)

Keep bolts fairly loose until the goal is inserted in the ground.

INSERTING ASSEMBLED GOAL:

1. Be sure **concrete is fully cured** before attempting to insert assembled goal into the ground sleeves.
2. If no hoist or lifting device is available, use at least six (6) men to raise the assembled goal to a vertical position . Carefully align the main uprights with their respective ground sleeves and **slowly** lower the goal into position. **Do not drop the goal into the ground sleeves!!**
3. Tighten all bolts firmly.