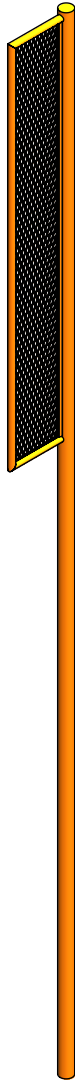


AAE Model No. AFP-22-SB

Softball Aluminum Foul Poles - 22'



AFP-22-O



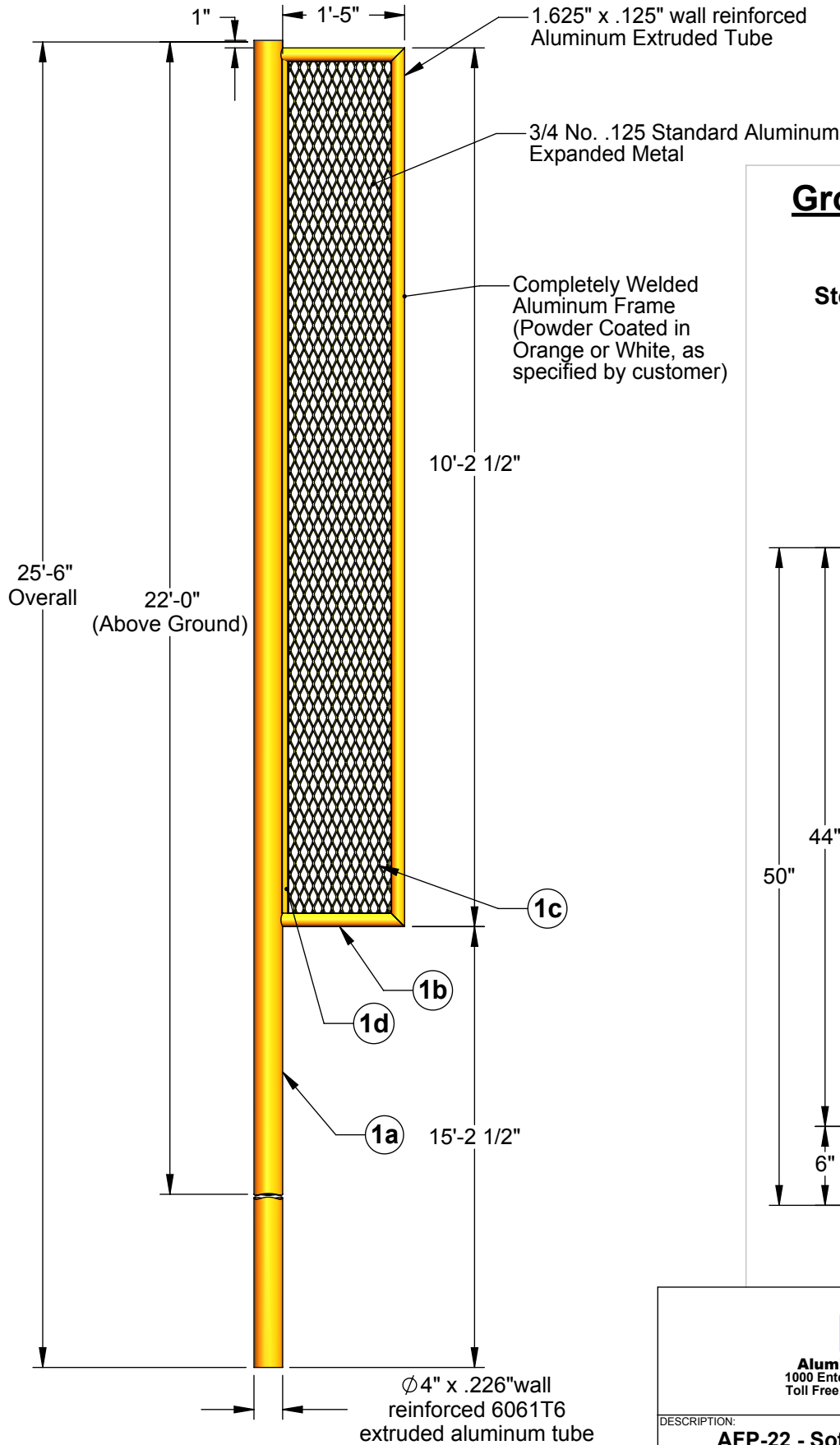
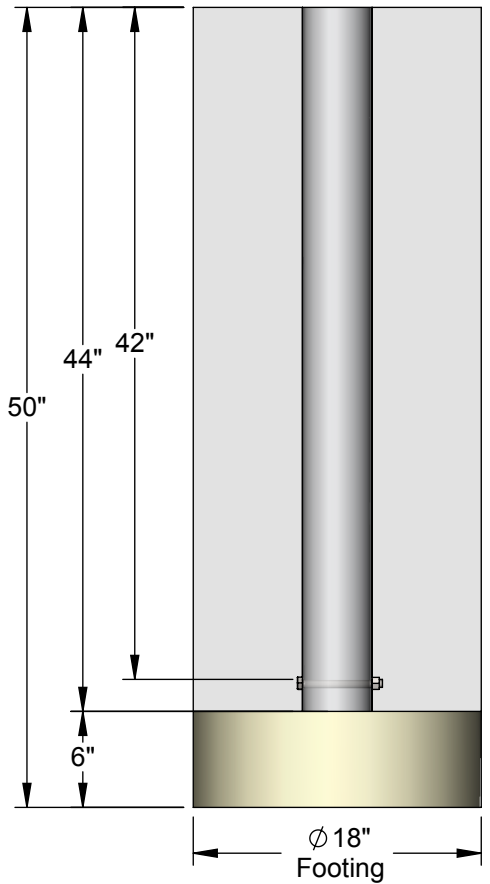
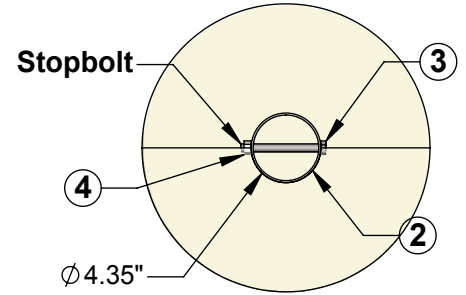
AFP-22-W



Aluminum Athletic Equipment
1000 Enterprise Drive, Royersford, PA 19468
Toll Free: (800) 523-5471 Fax: (610) 825-2378
www.AAEsports.com

AFP-22-SB Specifications

Ground Sleeve Detail



Total Weight = 100 lbs./ea.

**Per NCAA Rules and Regulations:*

*AFP-22 comes in your choice of color of either Orange or White**



Aluminum Athletic Equipment
1000 Enterprise Drive, Royersford, PA 19468
Toll Free: (800) 523-5471 Fax: (610) 825-2378
www.AAEsports.com

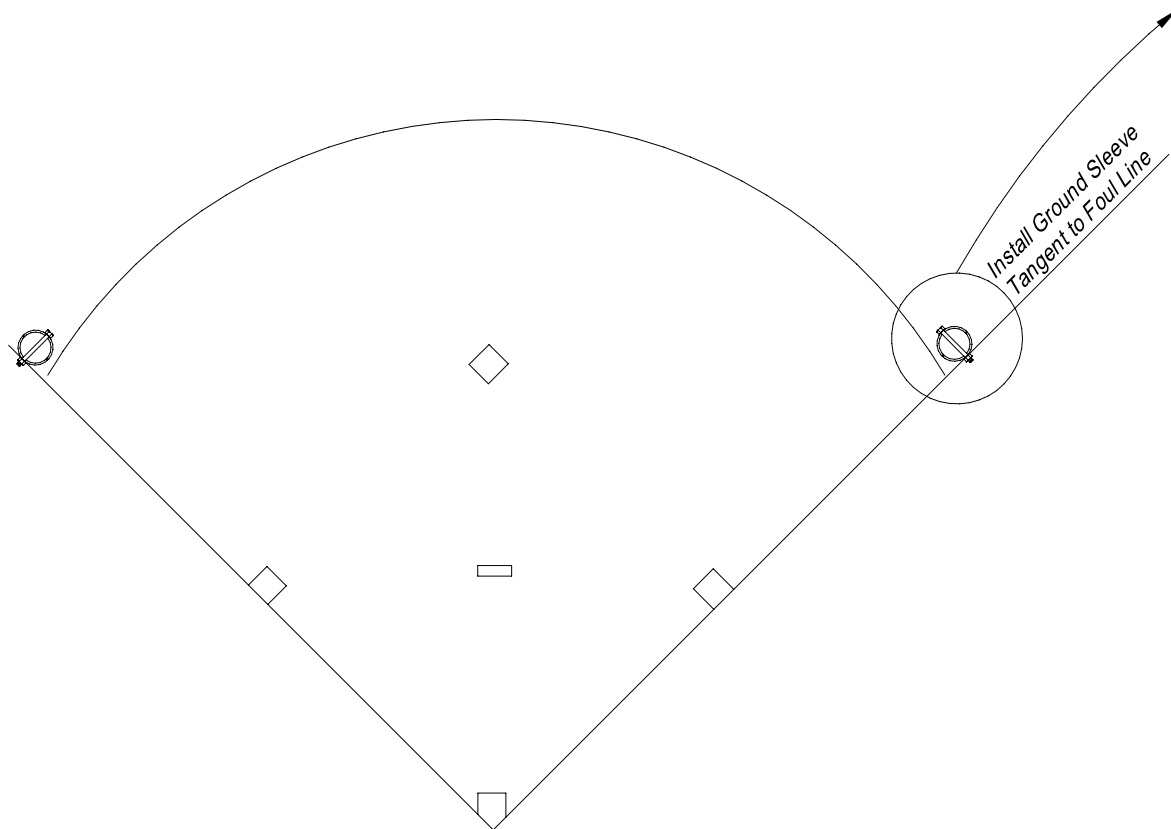
DESCRIPTION: AFP-22 - Softball All-Aluminum Fair Pole		
NOTE: Welded Aluminum Fair Pole		
MODEL: AFP-22	CATEGORY: CUSTOMER	DATE: 08/03/11
DWN. BY: TAD	CAD FILE: AFP-22 Specifications	DWG. NO. AFP-22-C-001

Installation

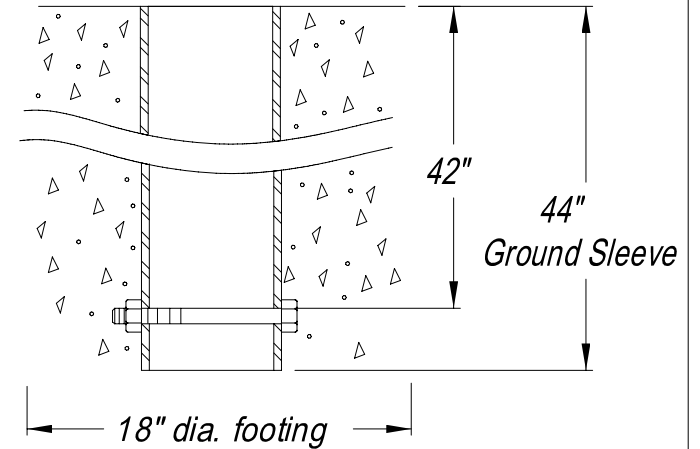
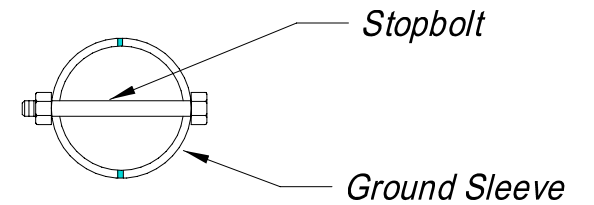
The stopbolt located at the bottom of the ground sleeve must be positioned so that it is perpendicular to the third or first base line. (See diagram below)

The ground sleeve must be oriented in this manner in order for your fair pole to fit properly.

Any questions, please call 800-523-5471



GROUND SLEEVE



AAE ALUMINUM
ATHLETIC
EQUIPMENT
1000 Enterprise Drive, Royersford, PA 19468
Phone: (610)-825-6565 Toll-free: 1-800-523-5471

<i>DESCRIPTION</i>		
FAIR POLE GROUND SLEEVE LOCATION		
<i>MODEL NO.</i>	<i>ITEM</i>	<i>DATE:</i> 3/2/06
<i>DWN. BY:</i>	<i>REV.</i>	<i>DWG. NO.</i> AAE-248b

**AFP-22
22' ALL-ALUMINUM FAIR POLE
PARTS LIST**

Pt. #	Item	Description	Qty.
1a	Fair Pole	4" o.d. x 25'-6" overall x .226" wall reinforced 6061T6 extruded aluminum tube (22' out of ground)	2
1b	Frame	1.625" od. x .125 wall extruded aluminum tube, 1'-5" x 10'-2 1/2" welded frame	2
1c	Wire Mesh	3/4" No. .125" thick aluminum expanded metal	2
2	Ground Sleeve	Ground Sleeve, 4.350" o.d. x .100 wall x 44" long	2
3	Hex bolt	1/2"-13 x 5" hex head bolt, plated	2
4	Nut	1/2"-13 wiz-lock nut, plated	2

FOR TECHNICAL ASSISTANCE, CALL 1-800-523-5471

AFP-22
22' ALL-ALUMINUM FAIR POLE
INSTALLATION INSTRUCTIONS

INSTALLATION: (Refer to drawing No. AAE-248b for details)

1. Locate the location for the ground sleeves to be installed in the outfield tangent to the foul line, hugging the inside of the field. Drill or dig an 18" diameter hole, a minimum of 50" deep (Consult local codes for concrete depth) at the center of the location of the ground sleeves to be installed. Fill the hole with 6" of crushed stone.
2. Insert the ground sleeves, ("bolt" side down) in the center of the hole. Make sure the ground sleeves are flush with the ground, leveled and plumb. Also, rotate the ground sleeves so that the stopbolt in the ground sleeve is in the correct orientation to the foul line. (See Dwg. No. AAE-248b)

NOTE: It is extremely important that the stopbolts in the ground sleeve are in proper alignment, so the keyslot in the main upright will lock the upright into it's proper position when set into the ground sleeve.

3. When the ground sleeves are in the proper position and alignment, the concrete can be poured. (Be sure not to get any concrete inside the ground sleeves!) As the concrete cures, constantly check to see that the ground sleeves are flush with the ground, centered, plumb, and in the correct alignment. (A piece of 4" PVC pipe with a Post Level inserted into the ground sleeve may be used to maneuver the position of the sleeve if needed)
4. Raise, then lower the post into the ground sleeve, making sure that the notch in the bottom of the Fair Pole seeds into the stopbolt.

FOR TECHNICAL ASSISTANCE, CALL 1-800-523-5471